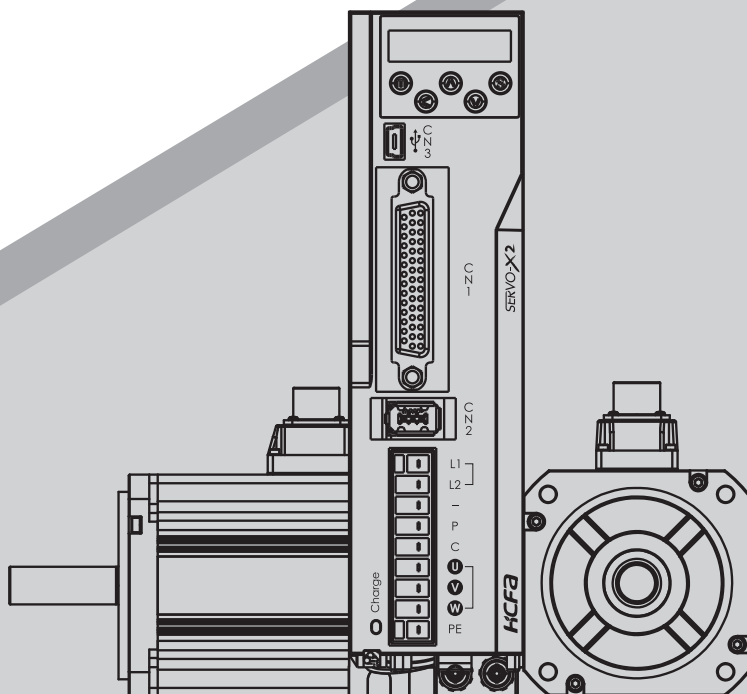


HCFA



SV-X2E Series Servo Drive

User Manual

March,2020 **V2.0**

Manual No.:HPPD0150000EN

Thank you for purchasing HCFA product

SV-X2E Series Servo Drive

User Manual

Contents

Preface.....	4
1. About this user manual	4
2. Confirm the following items before unpacking.....	4
3. Safety precautions.....	4
1. Product introduction and model selection	8
1.1 Product nameplates and models.....	8
1.2 Part names of servo motors and drives.....	9
1.3 Combination of the drive and the motor.....	11
1.4 Model selection of external regenerative resistor	11
1.5 Selection of cables and connector accessories.....	12
2. Product specifications	13
2.1 Servo drive specifications	13
2.2 Motor specifications	17
3. Product installations and dimensions	30
3.1 Installation environmental conditions	30
3.2 Dust-proof and water-proof	30
3.3 Installations and spacing.....	30
3.4 External dimensions of servo motors	32

3.5 External dimensions of servo drives	41
4. Servo motor and drive wirings	42
4.1 System wiring diagram.....	42
4.2 Drive terminal descriptions.....	44
4.3 Terminal arrangement and wire color of motor connectors	45
4.4 RS-485 communication wirings descriptions.....	48
4.5 I/O control terminal (CN1) descriptions	50
4.6 Standard wiring diagrams.....	51
5. Operation panel display and operations	57
5.1 Keys descriptions.....	57
5.2 Display descriptions	58
5.3 JOG running and parameter identification	59
6. Control functions.....	61
6.1 Position control mode.....	61
6.2 Speed control mode	65
6.3 Torque control mode.....	66
6.4 Motion control functions.....	67
7. Parameters.....	75
7.1 List of parameters	75
7.2 Parameter descriptions	87
8. Gain tuning	130
8.1 Gain tuning introductions	130

8.2 Automatic gain tuning (auto-tuning).....	131
8.3 Adaptive filtering	133
8.4 Manual gain tuning.....	134
9. Fault protections and alarms.....	142
9.1 List of errors and alarms.....	142
9.2 Troubleshooting	143
10. Communication	150
10.1 Communication rules.....	150
10.2 Communication read/write commands	150
10.3 Communication DI functions	152
10.4 Communication DO functions	153
10.5 Reading encoder absolute positions.....	154

Preface

Thank you for purchasing HCFA products. This user manual provides instructions for advanced use of the SV-X2E series servo drive and motor. Wrong operations cannot deliver the product's performance completely and may cause hazardous conditions and shorten the service life. Please read through the manual thoroughly before using.

1. About this user manual

- ① We make every effort to perfect this user manual, however if you have found some mistakes or uncertain points, please contact HCFA at any time.
- ② Please note the following items on the user manual
 - Danger exists as it's the high-voltage device.
 - There will be some residual voltage on the terminals or inside the devices even after power OFF and it is dangerous.
 - High temperature locally
 - Disassembling is prohibited.
- ③ Product specifications and functions may change without notice.
- ④ Consult our sales representative if the equipment using HCFA needs to obtain safety certificates.
- ⑤ To extend the service life of motor and drive, it is necessary to use it under the correct conditions. Please follow this user manual for details.
- ⑥ The latest information should be recorded in the user manual and manual will be updated regularly. If you need the latest version, please contact HCFA distributors.
- ⑦ Without the approval of company, it is forbidden to reproduce any part or whole of this manual.


2. Confirm the following items before unpacking.


- Check if the products are the ones you ordered.
- Check if there are some damage to the products during transportation.
- Any questions, please contact the HCFA distributor.


3. Safety precautions

This section will introduce the main instructions that users shall follow during the receiving, storage, handling, installation, wiring, operation, inspection and disposal of the products.








 **DANGER** Indicates that incorrect handling may result in death or severe injury.

 **CAUTION** Indicates that incorrect handling may result in medium or slight personal injury or physical damage.

 Indicates Prohibitions (Indicates what must not be done.)

 Indicates Forced (Indicates what must be done.)

⚠ DANGER		
Installing and wiring		
⊘	Do not connect the servo motor to the commercial power.	To prevent fire or malfunction.
	Do not place combustibles around the servo motor and drive.	To prevent fire.
!	Be sure to leave specified clearances between the case or other equipment and the drive.	To prevent electric shock, fire or malfunction.
	Install it at the place free from excessive dust and dirt, water or oil mist	To prevent electric shock, fire, malfunction or damage
	Install the equipment to incombustibles, such as metal.	To prevent fire.
	Any person who is involved in wiring and inspection should be fully competent to do the work.	To prevent electric shock.
	FG terminal of motor and drive must be grounded.	To prevent electric shock.
	Perform wiring correctly after switching off the breaker.	To prevent electric shock, injury, malfunction or damage
	Insulate electrical parts when connecting cables.	To prevent electric shock, fire or malfunction.
Operation and running		
⊘	During operation, never touch the internal parts of the drive.	To prevent burns or electric shock.
	The cables should not be damaged, stressed loaded, or pinched.	To prevent electric shock, malfunction or damage.
	During operation, never touch the rotating parts of the servo motor.	To prevent injury.
	Do not install the equipment under the conditions with water, corrosive or flammable gas.	To prevent fire.
	Do not use it at the location with great vibration or shock.	To prevent electric shock, injury or fire.
	Do not use the servo motor with its cable soaked in oil or water.	To prevent electric shock, malfunction or damage
	Operate the switches and conduct wiring with dry hand.	To prevent electric shock, injury or fire.
	Do not touch the keyway directly when using the motor with shaft-end keyway	To prevent injury.
	Do not touch the motor and drive heat sink, as they can be very hot.	To prevent burns or parts damaged.
	Do not drive the motor by external force.	To prevent fire.
Other safety instructions		
!	Confirm the equipment' s safety after the earthquake happens.	To prevent electric shock, injury or fire.
	Install and set correctly to prevent the fire and personal injury when earthquake happens.	To prevent injury, electric shock, fire, malfunction or damage.
	Set up an external emergency stop circuit to ensure that operation can be stopped and power switched off immediately.	To prevent injury, electric shock, fire, malfunction or damage.
	Before wiring or inspection, turn off the power and wait for 5 minutes or more.	To prevent electric shock.

		
Installing and wiring		
	Please follow the specified combination of the motor and drive.	To prevent fire or malfunction.
	Do not touch the terminals of connector directly.	To prevent electric shock or malfunction.
	Do not block intake and prevent the foreign matters from entering into the motor and drive.	To prevent electric shock or fire.
	Fix the motor and JOG without load. After JOGGING, the motor can be securely mounted to mechanical system.	To prevent injury.
	The servo motor must be installed in the specified direction.	To prevent injury or malfunction.
	Install the equipment correctly in accordance with its weight and rated output.	To prevent injury or malfunction.
Operation and running		
	Do not stand on servo equipment. Do not put heavy objects on equipment.	To prevent electric shock, injury, fault or damage.
	The parameter settings must not be changed excessively. Operation will be instable.	To prevent injury.
	Keep away from direct sunlight.	To prevent malfunction.
	Do not put strong impact on the motor, drive or motor shaft.	To prevent malfunction.
	The electromagnetic brake on the servo motor is designed to hold the servo motor shaft and should not be used for ordinary braking.	To prevent injury or malfunction.
	Do not install or operate a faulty servo motor or drive.	To prevent injury, electric shock or fire
	Check the power supply specification.	To prevent fault.
	The electromagnetic brake may is not a braking device. To ensure safety, install a stopping device on the machine side.	To prevent injury.
	When there is an alarm, check the causes and clear the alarm; then restart.	To prevent injury.
	Connect the relay for emergency stop and for brake in series.	To prevent injury or malfunction.
Transportation and storage		
	Do not store the equipment in places with rain, water drop, poisonous gases or liquids.	To prevent malfunction.
	Do not carry the servo motor by the cables, shaft or encoder during transportation.	To prevent injury or malfunction.
	Do not drop or dump the motor during transportation and installation.	To prevent injury or malfunction.
	Store the unit in a place in accordance with the user manual.	To prevent malfunction.
Other safety instructions		
	Please dispose the battery according to your local laws and regulations.	
	When disposing of the product, handle it as industrial waste.	
Maintenance and inspection		

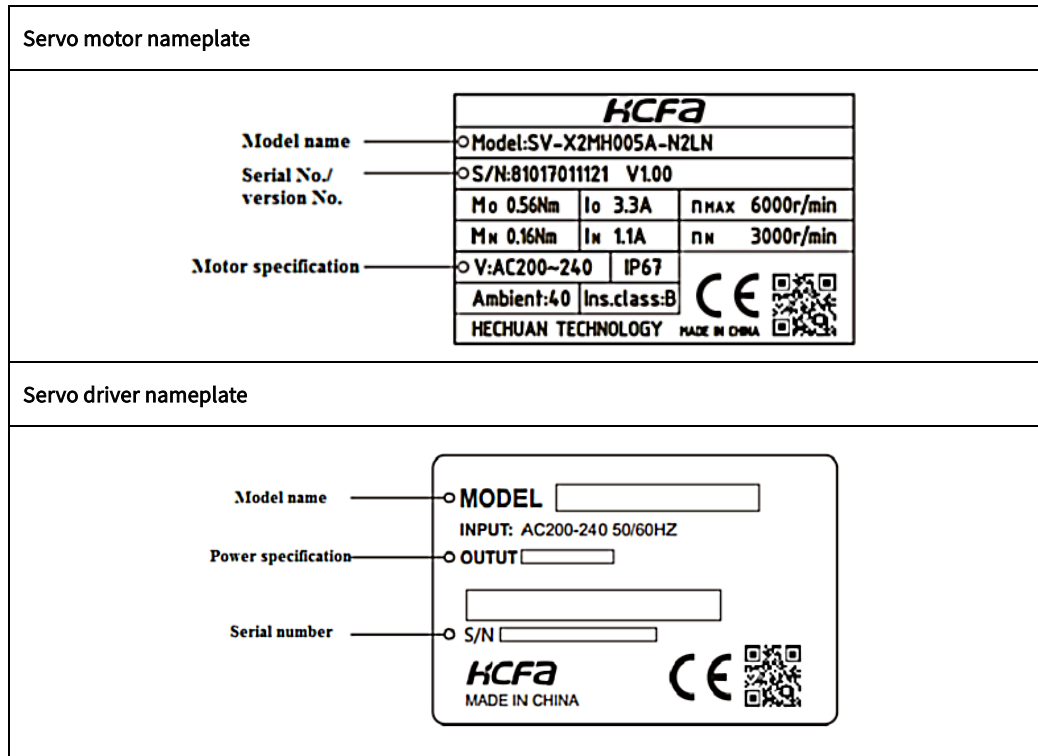
⊘	Do not disassemble and/or repair the equipment by yourself.	To prevent malfunction.
	Do not turn on or switch off the main power frequently.	To prevent malfunction.
!	Do not touch the servo drive heat sink, regenerative resistor, servo motor etc. Their temperatures may be high while power is on or for some time after power-off.	To prevent burns or electric shock.
	When the drive become faulty, switch off the control circuit and main power.	To prevent fire.
	If the servo motor is to be stored for a long time, switch off the power.	To prevent malfunction and injury.
Maintenance and inspection		
<p><Warranty period></p> <p>The term of warranty for the product is 18 months from the date of manufacture. For motors with brake, they are warranted when acceleration/deceleration times is not beyond the specified service life.</p>		
<p><Warranty coverage></p> <p>● This warranty applies only when the condition, method, environment, etc. Of use are in compliance with those stated in this user manual. Even during warranty period, the repair cost will be charged on customer in the following cases:</p> <ol style="list-style-type: none"> 1) Failure caused by improper storing or handling, repair and modification. 2) Failure caused by the parts which have dropped down or damaged during transportation 3) Failure caused when the products have been used beyond the product specification 4) Failure caused by external factors such as inevitable accidents, including but not limited to fire, earthquake, lightning stroke, windstorm disaster, flood, salt damage, abnormal fluctuation of voltage and other natural disaster. 5) Failure caused by the intrusion of water, oil, metal and other foreign matters. <p>● The warranty coverage is only for the product itself. We assume no responsibilities for any losses of opportunity and/or profit incurred by failure of the product.</p>		

1. Product introduction and model selection

1.1 Product nameplates and models

Contents of name plate

Figure 1.1.1 Nameplate description



Model designation

Figure 1.1.2 Servo motor models

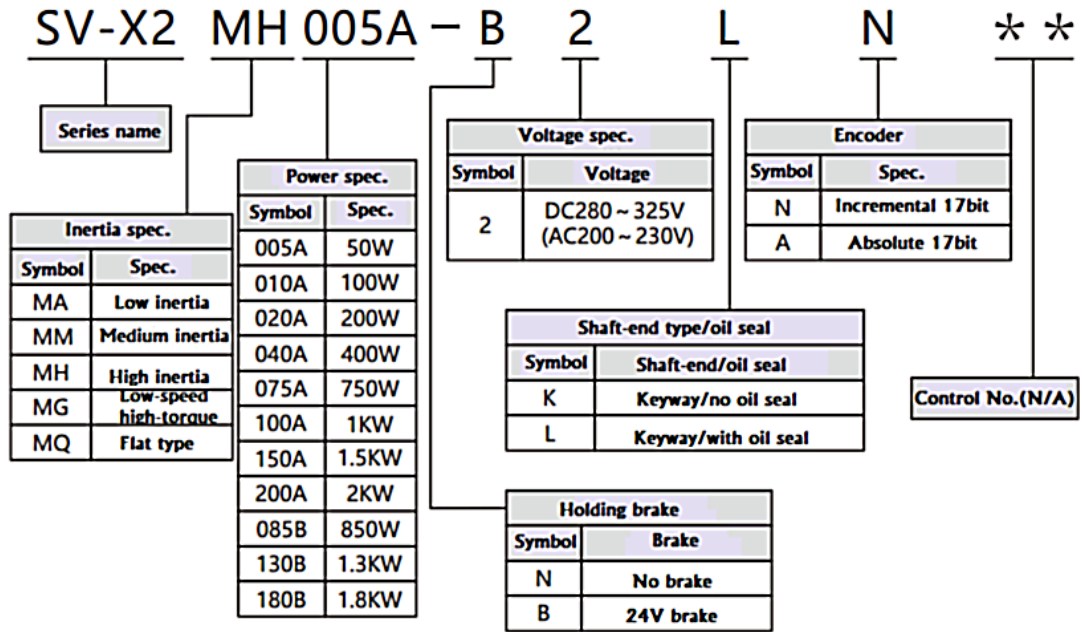
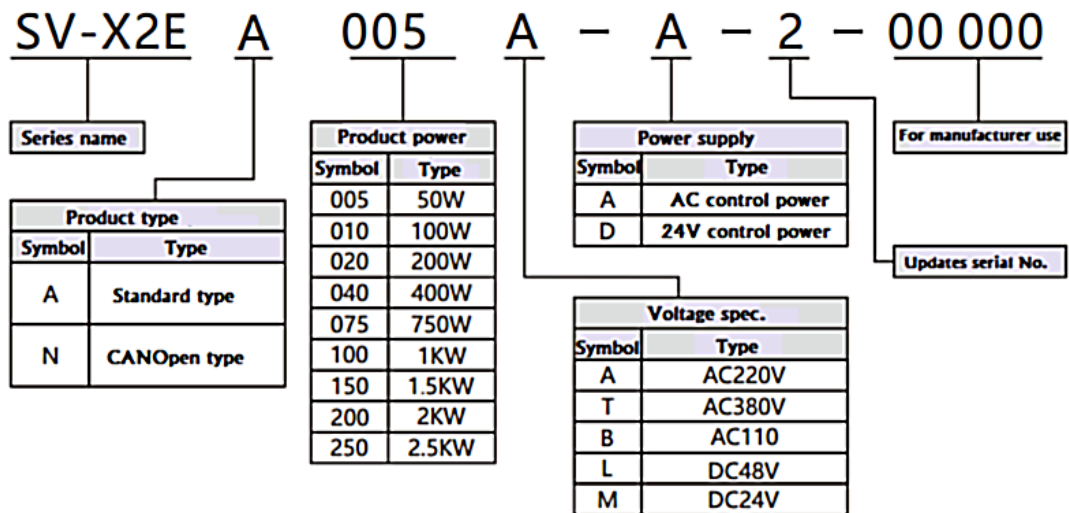


Figure 1.1.3 Servo drive models



1.2 Part names of servo motors and drives

Figure 1.1.4 Part names of servo motor

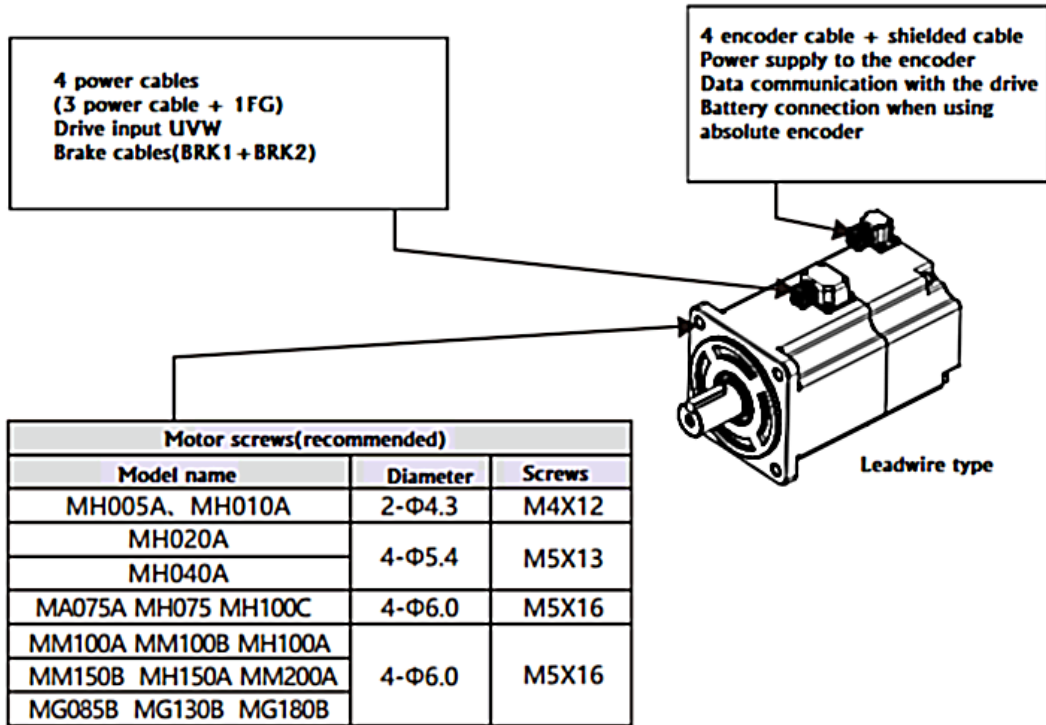
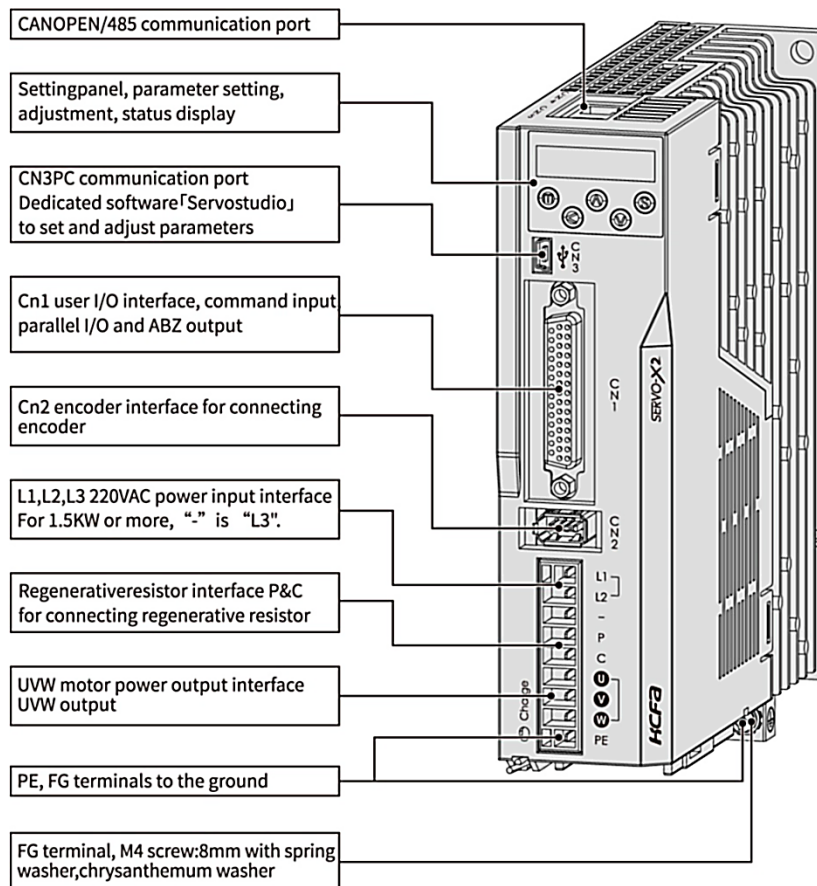


Figure 1.1.5 Part names of servo drive



1.3 Combination of the drive and the motor

Table 1. 3. 1 Combination of the drive and the motor

Capacity	Motor model SV-X2 □□□□□-****		Motor flange(mm)	Drive model	Drive size
50W	High inertia	MH005A	40	SV-X2EA005A-A	Frame A
100W	High inertia	MH010A		SV-X2EA010A-A	
200W	Low inertia	MA020A	60	SV-X2EA020A-A	Frame B
200W	High inertia	MH020A			
400W	Low inertia	MA040A			
400W	High inertia	MH040A			
750W	Low inertia	MA075A			
750W	High inertia	MH075A	80	SV-X2EA075A-A	Frame C
1kW	High inertia	MH100C	80	SV-X2EA100A-A	
	Medium inertia	MM100A	130		
	Medium inertia	MM100B			
	High inertia	MH100A			
1.5kW	Medium inertia	MM150B	150	SV-X2EA150A-A	
	High inertia	MH150A	130		
2kW	Medium inertia	MM200A		SV-X2EA200A-A	
850W	Low-speed high-torque	MG085B		SV-X2EA150A-A	
1.3kW	Low-speed high-torque	MG130B			
1.8kW	Low-speed high-torque	MG180B			SV-X2EA250A-A

1.4 Model selection of external regenerative resistor

Table 1. 4. 1 Model selection of external regenerative resistor

Rated output	50W	100W	200W	400W	750W	1kW	1.5 kW	2 kW
Resistance	40~50Ω	40~50Ω	40~50Ω	40~50Ω	40~50Ω	40Ω	40Ω	30Ω
Capacity	40W	40W	40W	40W	40W	50W	60W	80W

For details please refer to parameter P00.21 (regenerative resistor setting), P00.22 (external regenerative resistor capacity), P00.23 (External regenerative resistor resistance value) and P00.24 (external regenerative resistor heating time constant). The use of regenerative resistor cannot necessarily guarantee the performance. If heating is too high, please increase the resistance or the capacity.

1.5 Selection of cables and connector accessories

● For 750W or below

Table 1.5.1

Items	Usage	Model names	Remarks
1	Motor power connector	PWR-CON 750W	
2	Power cable for drive and motor	-CAB-PWR75A-0.5M	Length: 0.5m
		Power cable -CAB-PWR75A-1.5M	Length: 1.5m
		Power cable -CAB-PWR75A-3M	Length: 3m
		Power cable -CAB-PWR75A-5M	Length: 5m
		Power cable -CAB-PWR75A-10M	Length: 10m
3	Encoder cable connector	ENC-TE 750W	
5	Encoder cable	-SVCAB-ENC75A-0.5M	Length: 0.5m
		-SVCAB-ENC75A-1.5M	Length: 1.5m
		-SVCAB-ENC75A-3M	Length: 3m
		-SVCAB-ENC75A-5M	Length: 5m
		-SVCAB-ENC75A-10M	Length: 10m
6	Encoder cable for absolute encoder	-SVBOX-ENCABS+ -SVCAB-ENC75A-*M	

● For 1KW or above

Table 1.5.2

Items	Usage	Model names	Remarks
1	Motor power cable connector	PWR-CON 1KW	
2	Power cable for drive and motor	-CAB-PWR100A-0.5M	Length: 0.5m
		-CAB-PWR100A-1.5M	Length: 1.5m
		-CAB-PWR100A-3M	Length: 3m
		-CAB-PWR100A-5M	Length: 5m
		-CAB-PWR100A-10M	Length: 10m
3	Brake connector	PWB-CON 1KW	
4	Encoder cable connector	ENC-TE 1KW	
5	Encoder cable	-CAB-ENC100A-0.5M	Length: 0.5m
		-CAB-ENC100A-1.5M	Length: 1.5m
		-CAB-ENC100A-3M	Length: 3m
		-CAB-ENC100A-5M	Length: 5m
		-CAB-ENC100A-10M	Length: 10m
6	Encoder cable for absolute encoder	-CAB-ENC100A-ABS-0.5M	Length: 0.5m
		-CAB-ENC100A-ABS-1.5M	Length: 1.5m
		-CAB-ENC100A-ABS-3M	Length: 3m
		-CAB-ENC100A-ABS-5M	Length: 5m
		-CAB-ENC100A-ABS-10M	Length: 10m
7	50-Pin pulse connector	Pulse connector CON-50P	

2. Product specifications

2.1 Servo drive specifications

2.1.1 General specifications

Table 2.1.1 General specifications

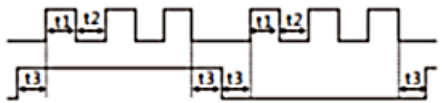
Items		Specification									
Model Name SV-X2EA□□□A-A-2-0000		005	010	020	040	075	100	150	200	250	
General specification	Applicable motor	50W	100W	200W	400W	750W	1KW	1.5kW	2kW	2.5kW	
	Dimension W(mm)	42			52			65			
	H(mm)	165			165			169			
	D(mm)	151			151			151			
	Weight(Kg)	0.8			0.9			1.2			
	Input power	Single-phase 200~240V 50/60Hz						Single-phase/three-phase 200~240V 50/60Hz			
	Dielectric strength	1 minute at 1500 VAC across the primary and FG									
	Control type	Three-phase PWM inverting sine-wave									
	Encoder feedback	Single-turn absolute 17-bit (multi-turn absolute with battery)									
	Digital signal	Input	8 inputs (24VDC, photo-coupler insulation) Switch by control mode								
		Output	5 outputs (24VDC, photo-coupler insulation, open-collector output) Switch by control mode								
	Pulse signal	Input	2 inputs (photo-coupler insulation, RS-422 differential, open-collector)								
		Output	4 outputs (A/B-Z-phase RS-422 differential, Z-phase open collector output)								
	Communication function	USB: Connection with PC (with Servostudio software) RS-485: remote communication(1:n) CANOPEN communication									
	Regeneration function	External regenerative resistor possible									
Dynamic brake	Not built-in										
Control mode	6 control modes: Position control, speed control, torque control, position/speed control, position/torque control, speed/torque control										
Functions	Position control	Digital input signals		Servo ON, alarm reset, deviation counter clear, positive/negative direction over-travel, internal command selection, homing start etc.							
		Digital output signals		Alarm state, servo ready, brake off, homing complete, position reached, servo state, torque limiting, speed limiting zero-speed output, etc.							
	Pulse input	Max input pulse frequency		General input: Up to 500KHz, pulse width larger than 1us; High-speed input: Up to 4MHz, pulse width larger than 125ns; Open-collector input: Up to 200Kpps, pulse width larger than 2.5us							
		Input pulse type		Differential input; open-collector							
		Input pulse form		Pulse+ direction, A-Phase + B-Phase, CW+CCW							
Electronic gear		A/B A: 1~1073741824 B: 1~1073741824,									

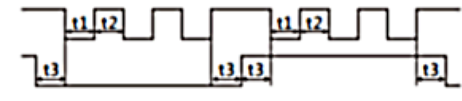
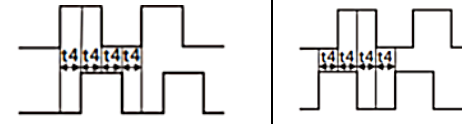
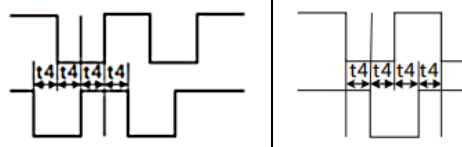
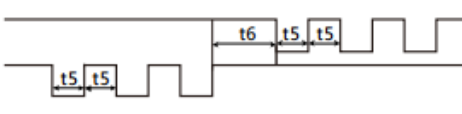
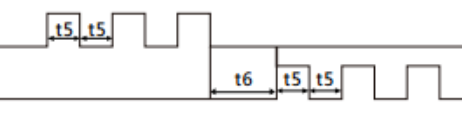
Environmental specifications	Pulse output		Encoder resolution/1000000 < A/B < Encoder resolution/2.5	
		Smoothing	Smoothing filter, FIR filter	
		Output pulse form	A-Phase, B-Phase: Differential output Z-Phase: Differential output or open collector output	
		Division ratio	Arbitrary frequency division	
	Speed control	Output pulse	Encoder pulse or position Pulse instruction(can be set)	
		Digital input signals	Servo ON, alarm reset, speed instruction negation, zero-speed clamp, internal speed control, external forward/reverse torque limit, emergency stop etc.	
	Torque control	Digital output signals	Alarm state, servo ready, brake off, speed reached, torque limiting, speed limiting, zero-speed output, etc.	
		Digital input signals	Servo ON, alarm reset, torque instruction negation, zero-speed clamp etc.	
		Digital output signals	Alarm state, servo ready, brake off, speed reached, torque limiting etc.	
		Torque command input	Default setting, adjustable by function codes	
	Common	Speed limit	Positive/ negative speed limit P03.27, P03.28	
		Speed monitoring	Provided	
		Vibration control	Provided	
		Adaptive notch filter	Provided	
		Auto-tuning	Provided	
		Encoder output division and multiplication	Provided	
		Internal position control	Provided	
	Environmental specifications	Temperature	Ambient temperature for use	0~55°C
			Ambient temperature for storage	-20~65°C
		Humidity	Ambient humidity for use	20~85% RH or less (Without condensation)
Ambient humidity for storage			20~85% RH or less (Without condensation)	
Atmosphere for use & storage		Indoors (Not subject to direct sunlight); free from corrosive gas, flammable gas, oil mist, or dust		
Altitude		1000m or less above sea level		
Vibration		5.8m/s ² (0.6G) or less, 10~60Hz (No continuous operation allowed at frequency of resonance)		
PC setting		Servostudio software		
Protective functions		Overvoltage, power supply error, overcurrent, overheat, overload, encoder error, over speed, position deviation too large, parameter error		

Note 1) Refer to Table 1. 4. 1 for selection of external regenerative resistors.

Note 2) Input pulse forms are described below:

Table 2.1.2

Parameter P00.07	Logic	Input signal form	Signal name	The minimum necessary time range (t1, t2, t3, t4, t5, t6)	
				Positive direction	Negative direction
0	Positive	Pulse & direction Instruction pulse	Pulse CMD_PLS Direction CMD_DIR		

1	Negative	Pulse & direction Instruction pulse	Pulse CMD_PLS Direction CMD_DIR	
2	Positive	AB-phase orthogonal Phase pulse	A-Phase CMD_PLS B-Phase CMD-DIR	
3	Negative	AB-phase orthogonal Phase pulse	A-Phase CMD_PLS B-Phase CMD-DIR	
4	Positive	Positive direction pulse Negative direction pulse	CW CMD_PLS CCW CMD_DIR	
5	Negative	Positive direction pulse Negative direction pulse	CW CMD_PLS CCW CMD_DIR	

■ Max input pulse frequency and minimum input pulse width.

Table 2.1.3

Input pulse signal I/F	Max. pulse frequency	The minimum necessary time [μ s]					
		t1	t2	t3	t4	t5	t6
Differential input	4Mpps	0.25	0.25	2.5	0.5	0.25	0.25
Open collector input	200kpps	2.5	2.5	2.5	5.0	2.5	2.5

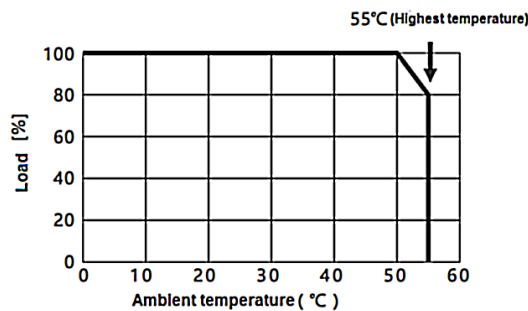
※ The rise and fall time of input pulse signal should be 0.1 μ s or less.

※ The pulse is counted from Low to High.

※ Pulse instruction input filter selection (P06.41) should be set according to the input frequency.

※ Fix the drive by the mounting holes according to section 3 and leave enough space to prevent high temperature.

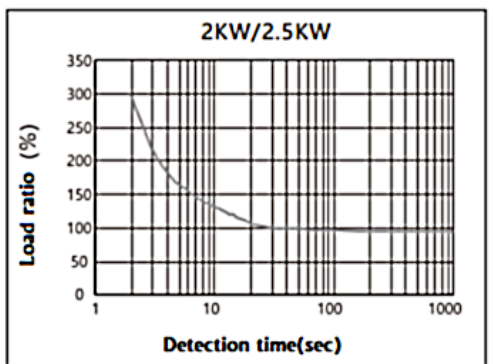
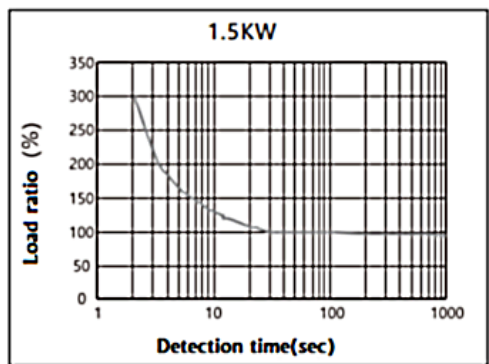
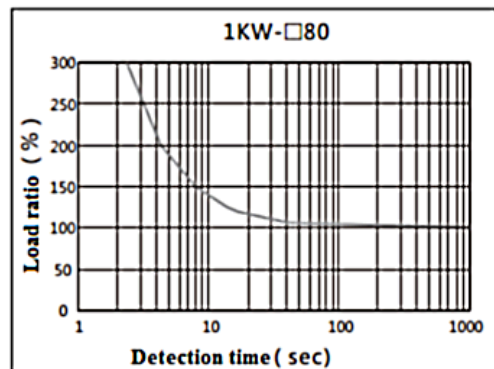
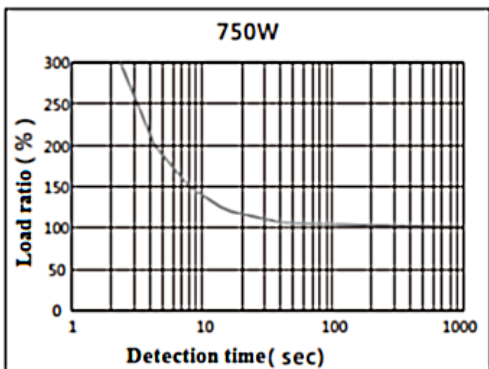
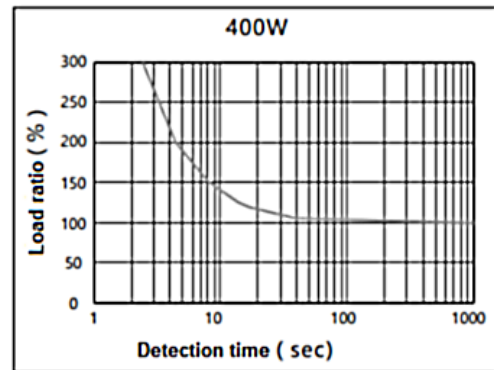
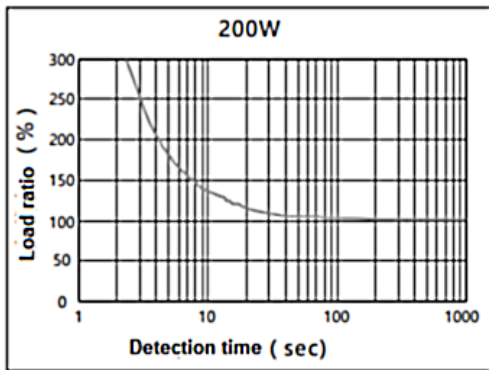
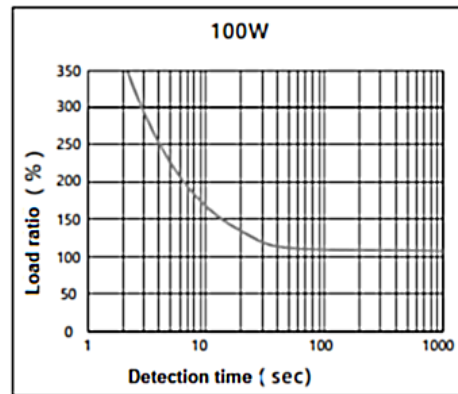
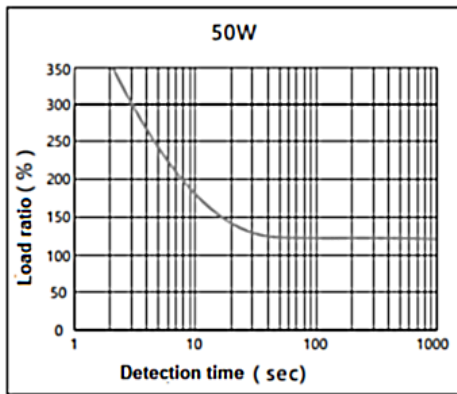
※ Regarding the ambient temperature of the servo drive, refer to the following figure.



2.1.2 Overload detection characteristics

For SV-X2E series servo drives, when the motor torque exceeds the torque values in the overload detection characteristics, overload protection will start which outputs overload alarm and the motor stops emergently.

Figure 2.1.1 Overload detection characteristics



2.2 Motor specifications

2.2.1 General specifications

Table 2.2.1 General specifications

200V~240V AC									
Items		Unit	Specifications						
Voltage		V	280VDC						
Model name (SV-X2□□□□□-****)		-	MH005A High inertia	MH010A High inertia	MA020A Low inertia	MH020A High inertia	MA040A Low inertia	MH040A High inertia	
Flange installation size		mm	□40			□60			
Mass	Without brake	kg	0.33	0.45	0.9	0.87	1.28	1.22	
	With brake		0.55	0.66	1.3	1.27	1.67	1.61	
Common specifications	Rated output	W	50	100	200	200	400	400	
	Rated torque	N*m	0.16	0.32	0.64	0.64	1.27	1.27	
	Max. instantaneous torque	N*m	0.56	1.11	1.91	2.23	3.82	4.46	
	Rated current	Arms	1.1	1.1	1.7	1.4	2.7	2.1	
	Max. instantaneous current	Arms	5.5	5.5	6.5	6.9	10.2	10.4	
	Rated speed	r/min	3000						
	Max. speed	r/min	6000			5000			
	Torque constant	N*m/Arms	0.168	0.327	0.427	0.5	0.488	0.67	
	Phase inductive voltage constant	MV(r/min)	5	10.43	14.5	14.61	17.8	20.85	
	Rated power change rate	No brake	kW/s	6.7	14.4	28.9	14.1	60	28.8
		With brake		6.1	13.8	23.8	13.2	54	27.8
	Mechanical time constant	No brake	ms	2.8	2.17	0.728	1.39	0.499	1.3
		With brake		3.09	2.26	0.848	1.49	0.554	1.35
	Electrical time constant	ms	1.12	1.32	6.17	3.9	6.36	4.21	
	Motor rotor Inertia	No brake	×10kg·m ²	0.038	0.071	0.16	0.29	0.28	0.56
		With brake		0.042	0.074	0.17	0.31	0.29	0.58
Permissible load	Radial load	N	68	68	245	245	245	245	
	Axial load	N	58	58	98	98	98	98	
Encoder		17 bit serial communication (EIA422)							
Brake specifications	Usage	Holding(Note: not for braking)							
	Power supply	-	SELV power, reinforced insulation for dangerous voltage.						
	Rated voltage	V	24V±2.4	24V±10%	24V±2.4	24V±10%	24V±2.4		

	Rated current	A	0.25	0.3	0.36		
	Static friction torque	N*m	0.38 or more		1.6 or more		
	Absorption time	ms	35 or less		50 or less		
	Release time	ms	20 or less				
	Release voltage	V	1VDC or more				
Ambient conditions	Rated time	Continuous					
	Ambient temperature for use	0~40°C(Without condensation)					
	Ambient humidity for use	20~85%RH(Without condensation)					
	Ambient temperature for storage	-20~65°C(Highest temperature guaranteed: 80 degrees, 72hours)					
	Ambient humidity for storage	20~85%RH (Without condensation)					
	Atmosphere for use/storage	Indoors(Not subject to rainwater or direct sunlight); free from corrosive gas, flammable gas, flammables, grinding fluid, oil mist, or dust					
	Insulation class	Class B					
	Insulation resistance	1000 VDC megger 5M or more					
	Dielectric strength	1500 VAC for 1 minute					
	Altitude	1000m or less above sea level					
	Vibration class	V 15(JEC2121)					
	Vibration resistance	49 m/s ² (5G)					
	Impact resistance	98 m/s ² (10G)					
Protective class	IP65						
Points to note	Grounding is mandatory. Class I applicable.						
	Over voltage category II applicable						
	Pollution degree 2 applicable						
	Brake cables have polarity. Red: connected with +24V. Black: connected with GND,						

Table 2.2.1-2 General specifications

200V~240V AC								
Items		Unit	Specifications					
Voltage		V	280VDC					
Model name (SV-X2□□□□□-****)		-	MA075A Low inertia	MH075A High inertia	MH100C High inertia	MM100A Medium inertia	MM100B Medium inertia	MH100A High inertia
Flange installation size		mm	□80			□130		
Mass	Without brake	kg	2.25	2.25	2.68	4.67	/	6.29
	With brake		3.01	3.01	3.45	6.27	/	7.89
Common specifications	Rated output	W	750	750	1000	1000	1000	1000
	Rated torque	N*m	2.39	2.39	3.185	4.77	4.77	4.77
	Max. instantaneous torque	N*m	7.16	8.36	11.13	14.3	14.31	14.5
	Rated current	Arms	4.2	3.8	5.7	5.2	8.25	5.2

	Max. instantaneous current	Arms	17.4	18.8	30	15.6	25	15.6	
	Rated speed	r/min	3000			2000			
	Max. speed	r/min	4500			3000	5000	3000	
	Torque constant	N*m/Arms	0.583	0.648	0.552	0.918	0.573	0.918	
	Phase inductive voltage constant	MV(r/min)	21.33	22.65	21.2	33.65	21.2	33.65	
	Rated power change rate	No brake	kW/s	59.4	36.6	44.7	36.9	56	9.96
		With brake		53.8	34.4	42.8	30.8	49.3	9.46
	Mechanical time constant	No brake	ms	0.518	1.26	1.19	1.76	1.31	6.52
		With brake		0.572	1.34	1.24	2.11	1.48	6.86
	Electrical time constant	ms	11.4	6.54	4.72	9.5	12.53	9.5	
	Motor rotor Inertia	No brake	×10kg·m ²	0.96	1.56	2	6.18	9.16	22.9
		With brake		1.07	1.66	2.1	7.4	10.4	24.1
	Permissible load	Radial load	N	392	392	392	490	490	490
		Axial load	N	147	147	147	196	196	196
	Encoder	17 bit serial communication (EIA422)							
Brake specifications	Usage	Holding(Note: not for braking)							
	Power supply	-	SELV power, reinforced insulation for dangerous voltage.						
	Rated voltage	V	24V±2.4	24V±10%	24V±2.4	24V±10%	24V±2.4		
	Rated current	A	0.42			0.9			
	Static friction torque	N*m	0.38 or more			14 or more			
	Absorption time	ms	70 or less			100 or less			
	Release time	ms	20 or less			60 or less			
	Release voltage	V	1VDC or more						
Ambient conditions	Rated time	Continuous							
	Ambient temperature for use	0~40°C(Without condensation)							
	Ambient humidity for use	20~85%RH(Without condensation)							
	Ambient temperature for storage	-20~65°C(Highest temperature guaranteed: 80 degrees, 72hours)							
	Ambient humidity for storage	20~85%RH (Without condensation)							
	Atmosphere for use/storage	Indoors(Not subject to rainwater or direct sunlight); free from corrosive gas, flammable gas, flammables, grinding fluid, oil mist, or dust							
	Insulation class	Class B							
	Insulation resistance	1000 VDC megger 5M or more							
	Dielectric strength	1500 VAC for 1 minute							
	Altitude	1000m or less above sea level							

	Vibration class	V 15(JEC2121)
	Vibration resistance	49 m/s ² (5G)
	Impact resistance	98 m/s ² (10G)
	Protective class	IP65
Points to note	Grounding is mandatory. Class I applicable.	
	Over voltage category II applicable	
	Pollution degree 2 applicable	
	Brake cables have polarity. Red: connected with +24V. Black: connected with GND,	

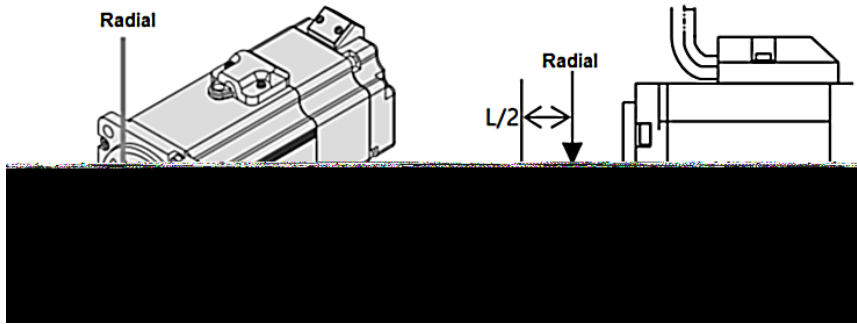
Table 2.2.1-3 General specifications

200V~240V AC									
Items		Unit	Specifications						
Voltage		V	280VDC						
Model name (SV-X2□□□□□-****)		-	MM150B Medium inertia	MH150A High inertia	MM200A Medium inertia	MG085B Low- speed high- torque	MG130B Low- speed high- torque	MG180B Low- speed high- torque	
Flange installation size		mm	□150	□130	□130	□130	□130	□130	
Mass	Without brake	kg	/	7.37	6.98	4.67	5.87	6.98	
	With brake		/	8.97	8.58	6.27	7.47	8.58	
Common specifications	Rated output	W	1500	1500	2000	850	1300	1800	
	Rated torque	N*m	7.16	7.16	9.55	5.41	8.28	11.5	
	Max. instantaneous torque	N*m	21.5	21.5	28.6	14.3	23.3	28.6	
	Rated current	Arms	9.5	8	9.9	5.9	9.3	11.8	
	Max. instantaneous current	Arms	29	24	30	15.6	24	30	
	Rated speed	r/min	2000			1500			
	Max. speed	r/min	5000	3000					
	Torque constant	N*m/Arms	0.672	0.895	0.9645	0.918	0.895	0.9645	
	Phase inductive voltage constant	MV(r/min)	25.9	34.84	37.95	33.65	34.84	40.18	
	Rated power change rate	No brake	kW/s	75.4	15.4	75.4	47.4	74.8	109
		With brake		68.6	14.8	68.6	39.6	75.9	98.7
	Mechanical time constant	No brake	ms	3.16	5.15	1.24	1.76	1.41	0.91
		With brake		3.47	5.35	1.37	2.11	1.6	1
	Electrical time constant	ms	14.3	12.7	13.88	9.5	12.7	13.88	
Motor rotor	No	×	12.1	33.4	12.1	6.18	9.16	12.1	

	Inertia	brake	10kg·m ²						
		With brake		13.3	34.6	13.3	7.4	10.4	13.3
	Permissible load	Radial load	N	490	490	490	490	490	490
		Axial load	N	196	196	196	196	196	196
	Encoder		17 bit serial communication (EIA422)						
Brake specifications	Usage		Holding(Note: not for braking)						
	Power supply		-	SELV power, reinforced insulation for dangerous voltage.					
	Rated voltage		V	24VDC ± 10%					
	Rated current		A	0.9					
	Static friction torque		N*m	14 or more					
	Absorption time		ms	100 or less					
	Release time		ms	60 or less					
	Release voltage		V	1VDC or more					
Ambient conditions	Rated time		Continuous						
	Ambient temperature for use		0~40°C(Without condensation)						
	Ambient humidity for use		20~85%RH(Without condensation)						
	Ambient temperature for storage		-20~65°C(Highest temperature guaranteed: 80 degrees, 72hours)						
	Ambient humidity for storage		20~85%RH (Without condensation)						
	Atmosphere for use/storage		Indoors(Not subject to rainwater or direct sunlight); free from corrosive gas, flammable gas, flammables, grinding fluid, oil mist, or dust						
	Insulation class		Class B						
	Insulation resistance		1000 VDC megger 5M or more						
	Dielectric strength		1500 VAC for 1 minute						
	Altitude		1000m or less above sea level						
	Vibration class		V 15(JEC2121)						
	Vibration resistance		49 m/s ² (5G)						
	Impact resistance		98 m/s ² (10G)						
	Protective class		IP65						
Points to note			Grounding is mandatory. Class I applicable.						
			Over voltage category II applicable						
			Pollution degree 2 applicable						
			Brake cables have polarity. Red: connected with +24V. Black: connected with GND,						

2.2.2 Output shaft permissible load

Figure 2.2.1 Output shaft permissible load



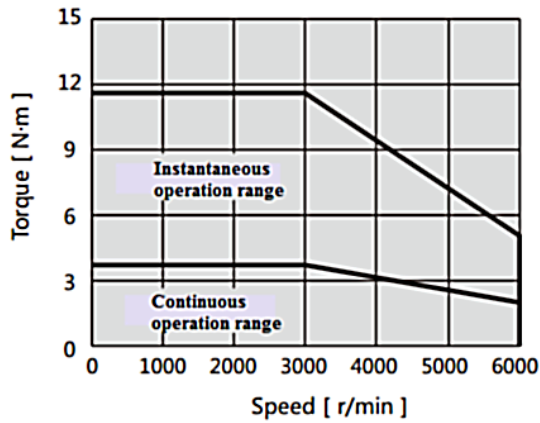
Permissible load	Unit	50W	100W	200W	400W	750W	1kW
Permissible radial load	N	68.6	68.6	245	245	392	392
Permissible axial load	N	58.8	58.8	98	98	147	147

Permissible load	Unit	1.5KW	2KW	850W	1.3KW	1.8KW
Permissible radial load	N	490	490	490	490	490
Permissible axial load	N	196	196	196	196	196

2.2.3 N-T characteristics

Figure 2.2.2 N-T characteristics

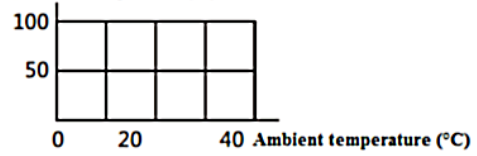
■ MH100C



Continuous torque-Ambient temperature

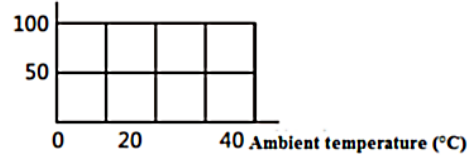
· Without oil seal

Rated torque ratio(%)

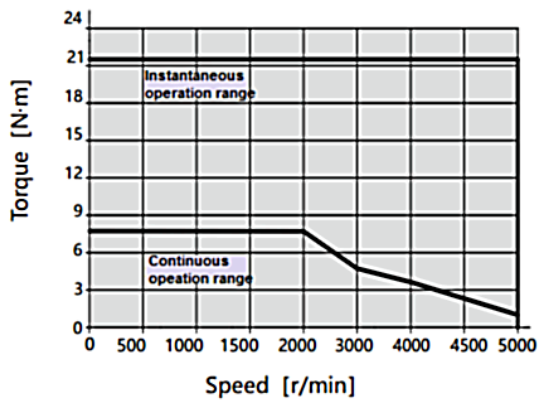


· With oil seal

Rated torque ratio(%)



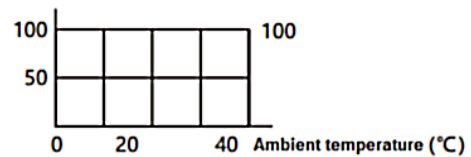
■ MM150B



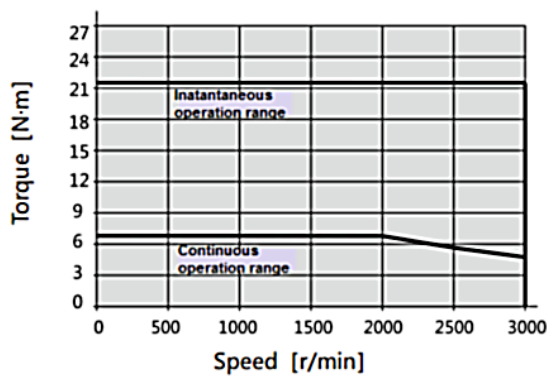
Continuous torque-Ambient temperature

· With oil seal

Rated torque ratio(%)



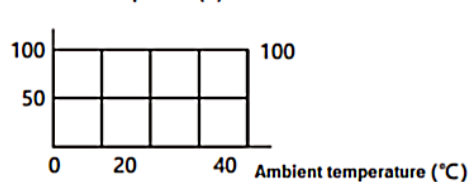
■ MH150A



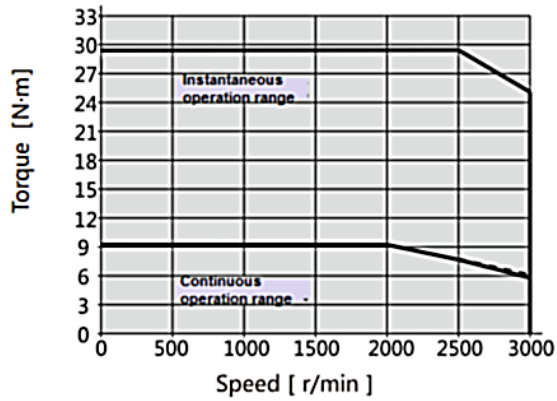
Continuous torque-Ambient temperature

· With oil seal

Rated torque ratio(%)



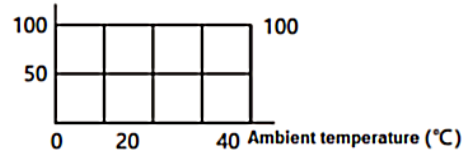
■ MM200A



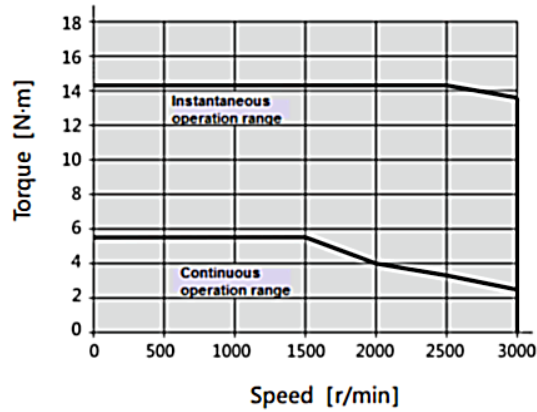
Continuous torque-Ambient temperature

· With oil seal

Rated torque ratio(%)



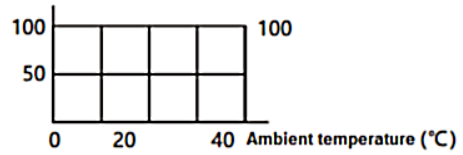
■ MG085B



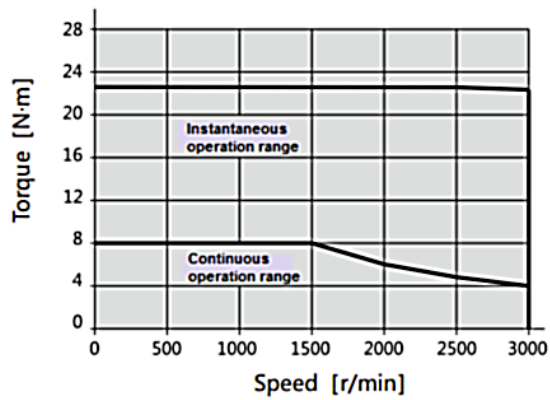
Continuous torque-Ambient temperature

· With oil seal

Rated torque ratio(%)



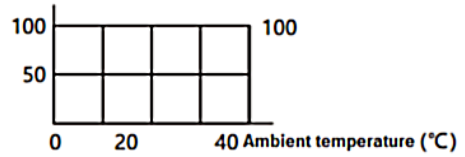
■ MG130B



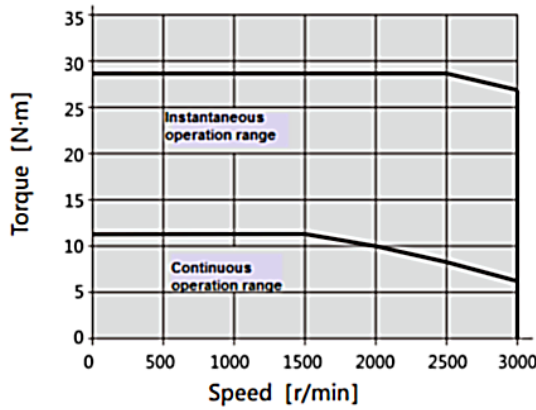
Continuous torque-Ambient temperature

· With oil seal

Rated torque ratio(%)



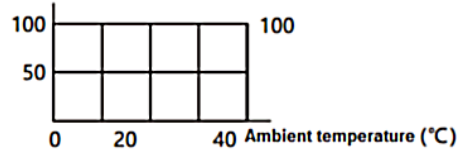
■ MG180B



Continuous torque-Ambient temperature

. With oil seal

Rated torque ratio(%)

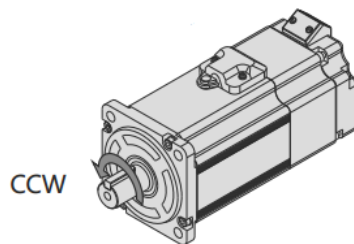


2.2.4 Encoder specifications

Table 2.2.3 Encoder specifications

Items	Description		Remarks
Motor Model Name	M□□□□□□□□ N** (17bit)	M□□□□□□□□ A** (17bit)	-
Power supply voltage VCC	DC 4.5V~5.5V		Ripple voltage 5% or less
External power supply BAT	-	DC 2.4V~5.5V	-
External capacitor CAP	-	DC 2.4V~5.5V	-
Current consumption	160mA (Typical)		Inrush current are excluded.
State of low power consumption	-	10μA(Typical)	Battery voltage 3.6V at motor stop at room temperature
Single-turn resolution	Absolute 131, 072(17bit)		-
Multi-revolution count	-	-	-
Maximum speed	6, 000 r/min		-
Input/output form	Differential transmission		-
Count-up direction (Note 1)	CCW		-
Transmission type	Half-duplex asynchronous serial		-
Communication speed	2.5Mbps		-
Working temperature	0~85°C		-
External magnetic interference	±2mT(20G) or less		-

Note 1) Up-counting direction



※Look from the front flange, rotate as counterclockwise, that is CCW.

[Note]

※When the motor rotates under 180 degree, single revolution accuracy decreases.

※When using motor with brake, please follow the brake voltage specified in the manual.

※When the brake voltage is under 12V or use under the reverse polarity, single revolution accuracy decreases.

2.2.5 About oil seal

Please use oil seal to prevent the entry of oil into the servo motor via the output shaft when using motor with gearbox. All the SV-X2E series motors are available with the oil seal. Please specify oil seal when ordering.

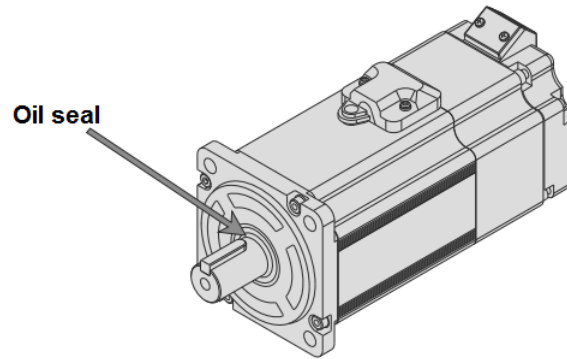


Figure 2.2.3 Oil seal

3. Product installations and dimensions

3.1 Installation environmental conditions

About the environmental conditions, make sure to follow the company's instructions. If you need to use the product outside the scope of the specified environmental conditions, please consult HCFA Corporation in advance.

- ① Keep it away from the direct sunlight.
- ② Drive must be installed inside the cabinet.
- ③ Keep it away from water, oil (cutting oil, oil mist) and moisture.
- ④ Do not install the equipment under the conditions with water, corrosive and flammable gas.
- ⑤ Free from the dust, iron powder, cutting powder and so on.
- ⑥ Keep it away from the area with high temperature, excessive vibration or shock.

3.2 Dust-proof and water-proof

The drive is not water-proof. The protection structure of motor comply with IEC34-5(International Electro-technical Commission) IP65 except the shaft output and connectors..

3.3 Installations and spacing

Impact & load

- ①The impact that the motor can stand should be less than $200\text{m/s}^2(20\text{G})$. Don't apply excessive impact load to the motor during transportation, installing or uninstalling. And do not drag encoder, cable or connector during transportation.
- ②The pull claw device must be used when removing the motor from belt pulleys or couplings.

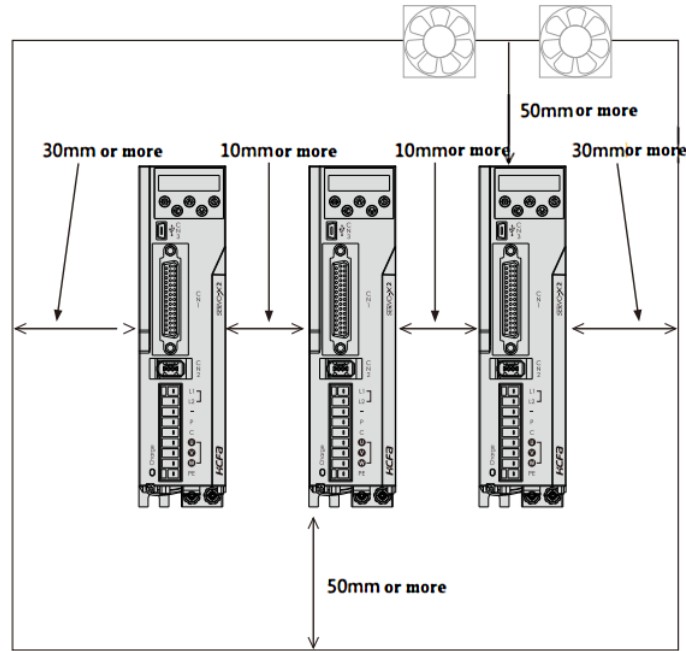
Connecting with mechanical system

- ①Permissible load to the motor shaft has been specified in this user manual. Exceeding the permissible load will shorten the shaft service life and cause damages to the shaft. Please use coupling which could fully absorb eccentric load.
- ②The stress on the encoder cable should be less than 6kgf during installations.
- ③The bending radius of power cable and encoder cable should be $R20\text{mm}$ and more.

Installation direction and clearance of drives

Leave sufficient space around the drive to ensure the heat dissipation and convection in the cabinet when installing the drive.

Figure 3.3.1 Installation clearance for drives



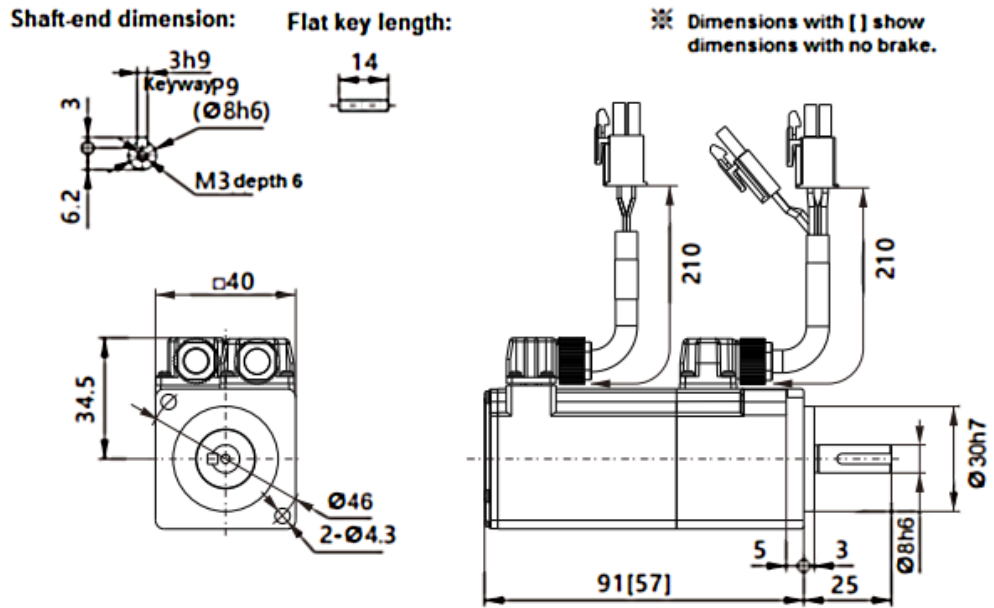
- Install the drives in the vertical direction. Please use two M5 screws to fix the drive.
- When the drives are installed in the sealed cabinet, in order to ensure that surrounding temperature between internal boards is less than 55°C, cooling fan or cooler need to be installed to reduce the temperature.
- The temperature on the surface of cooling plate would be 30°C higher than the surrounding temperature.
- Use heat-resistant material for wiring and isolate wiring from the machine and other cables which are easily heated.
- The service life of servo drive depends on the temperature around the electrolytic capacitor. When the electrolytic capacitor is close to the service life, the static capacity will decrease and internal resistance will increase. Consequently, it will lead to overvoltage alarm, malfunction caused by noise and components damage. The service life of electrolytic capacitor is approx. 5 to 6 years under such condition: average annual temperature 30°C, load rate 80% and operation of less than 20 hours a day on average.

Additional instructions

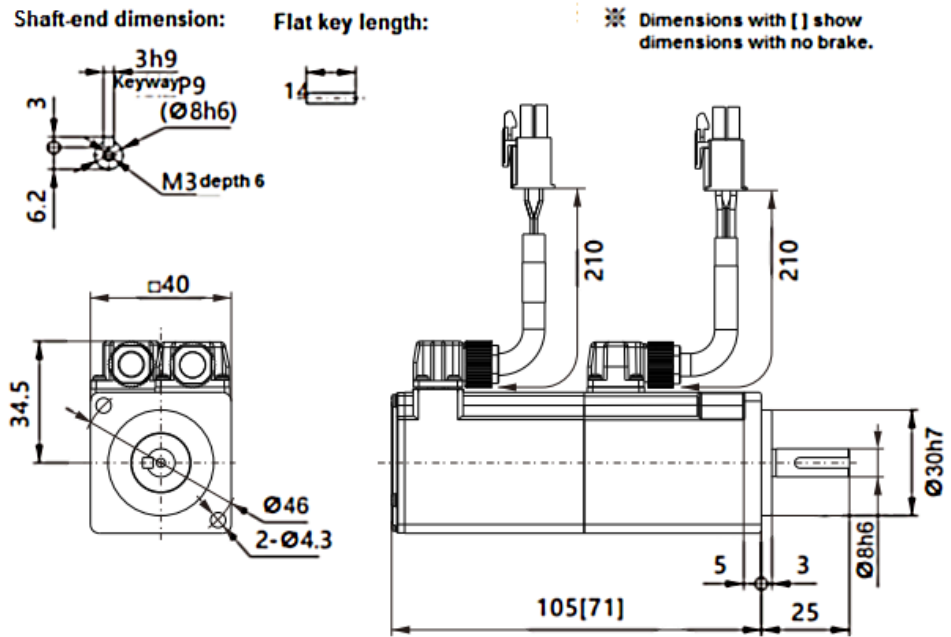
- ① The motor shaft is covered with anti-rust oil before shipping from factory. Please conduct such anti-rust treatment again to prevent the shaft from rust when installing.
- ② Never disassemble the encoder or motor.
- ③ Please use the same power supply (GND and 24VDC) for control voltage and upper controller.
- ④ Do not remove or service the encoder battery until the main power supply is switched OFF.
- ⑤ After switching off the main power supply, please note that there is residual voltage of approx. 30 seconds on the power components.
- ⑥ Do not replace the fuse.
- ⑦ Servo drives 750W or above are installed with a cooling fan on the right side. Do not touch or block the ventilation ports of the servo drive

3.4 External dimensions of servo motors

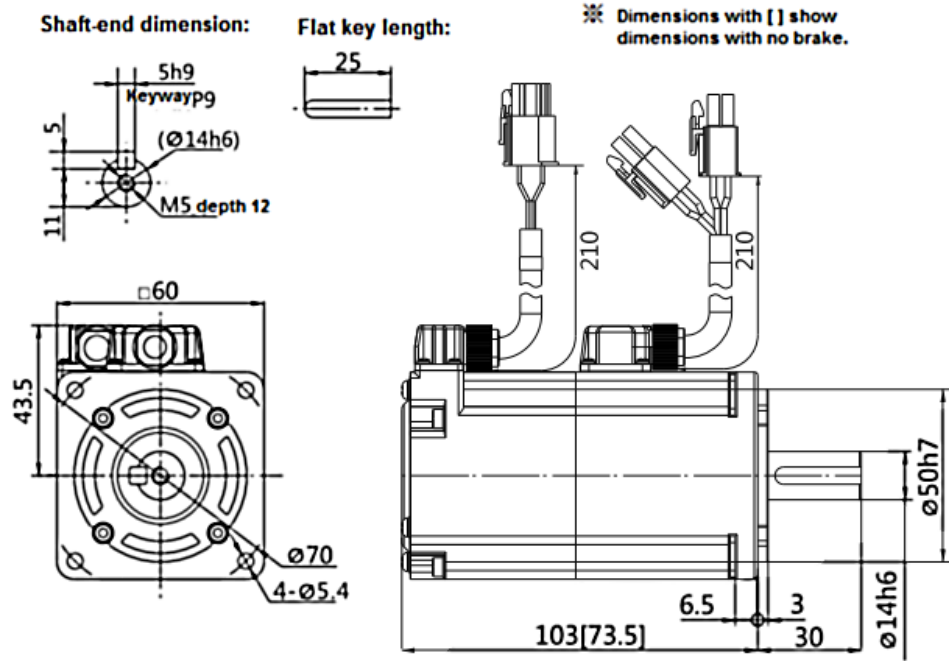
MH005A
High inertia



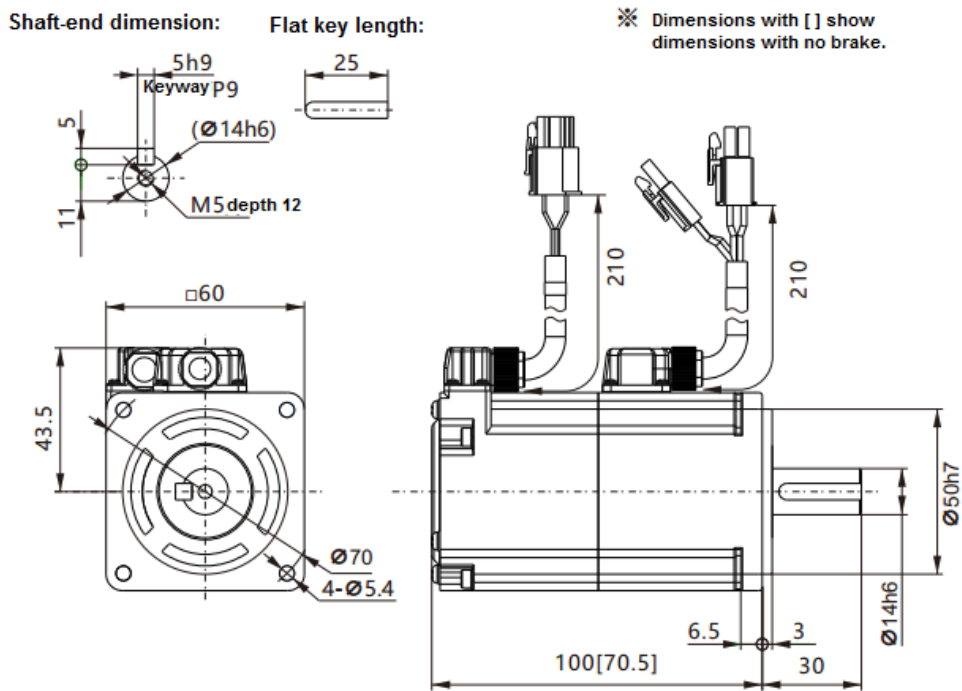
MH010A
High inertia



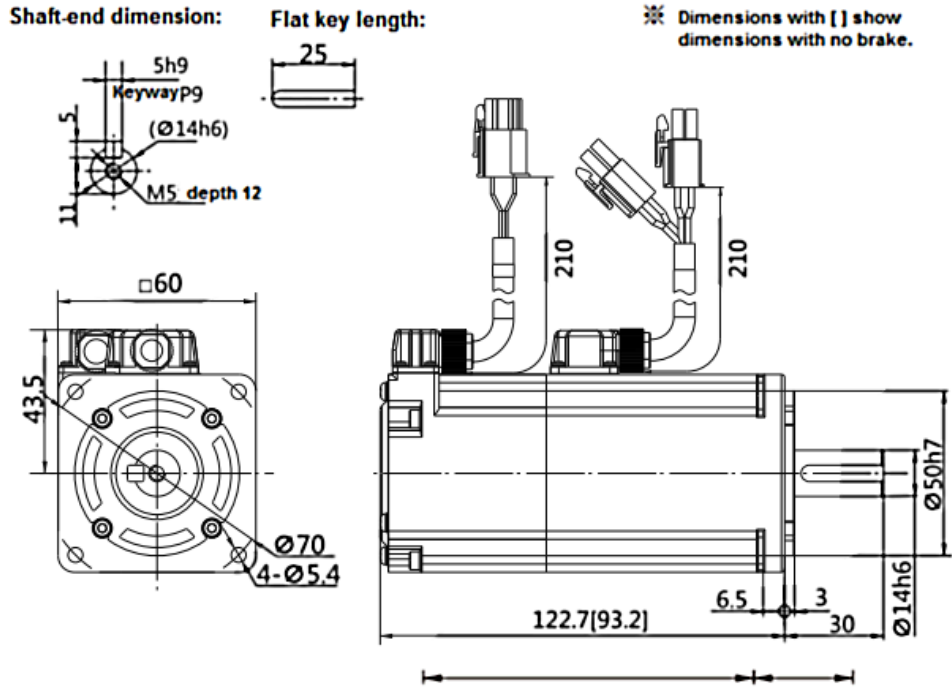
MA020A
Low inertia



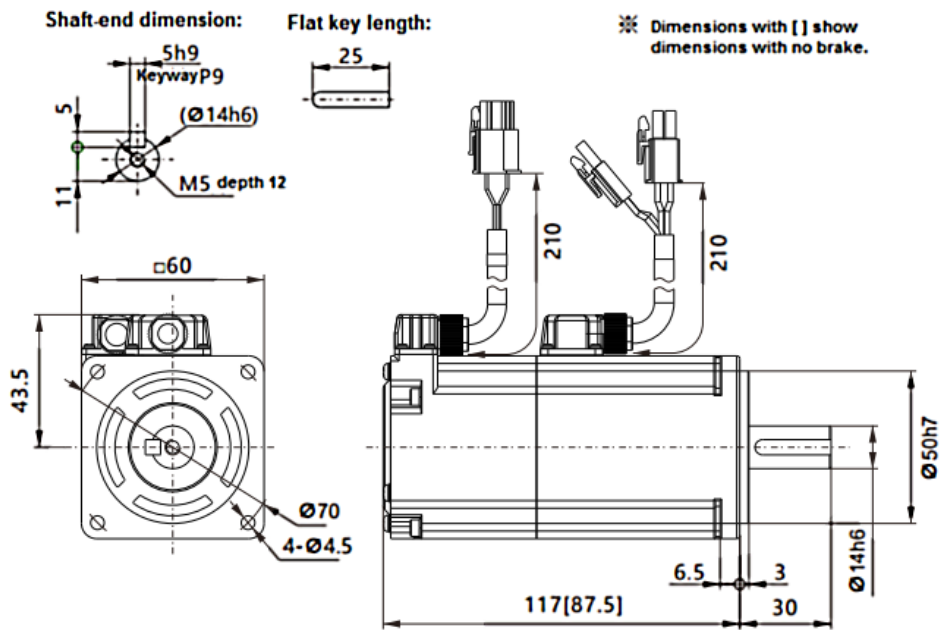
MH020A
High inertia



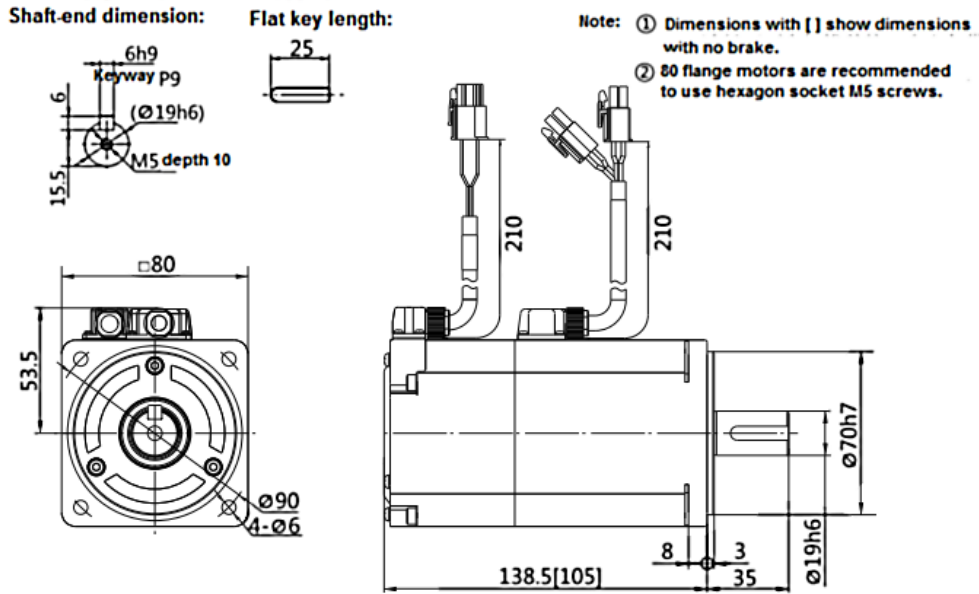
MA040A
Low inertia



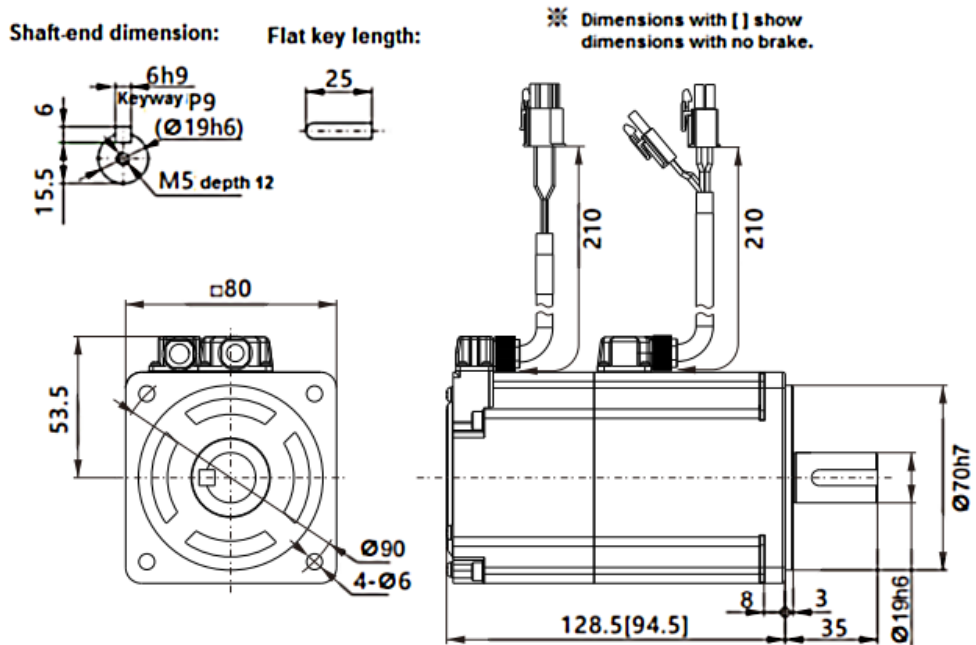
MH040A
High inertia



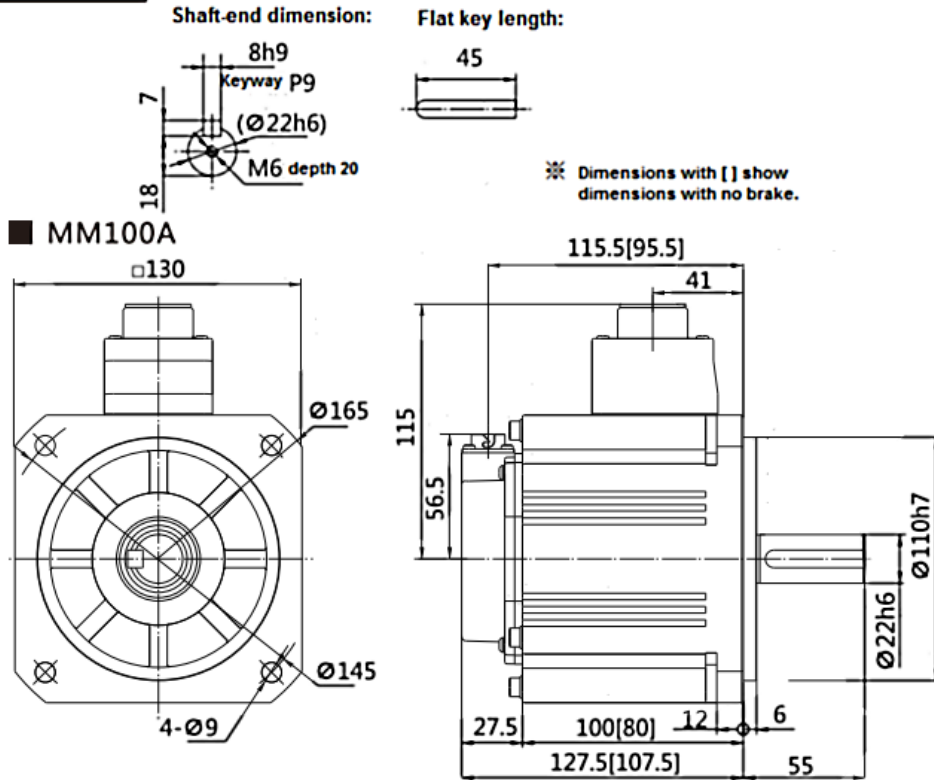
MA075A
Low inertia



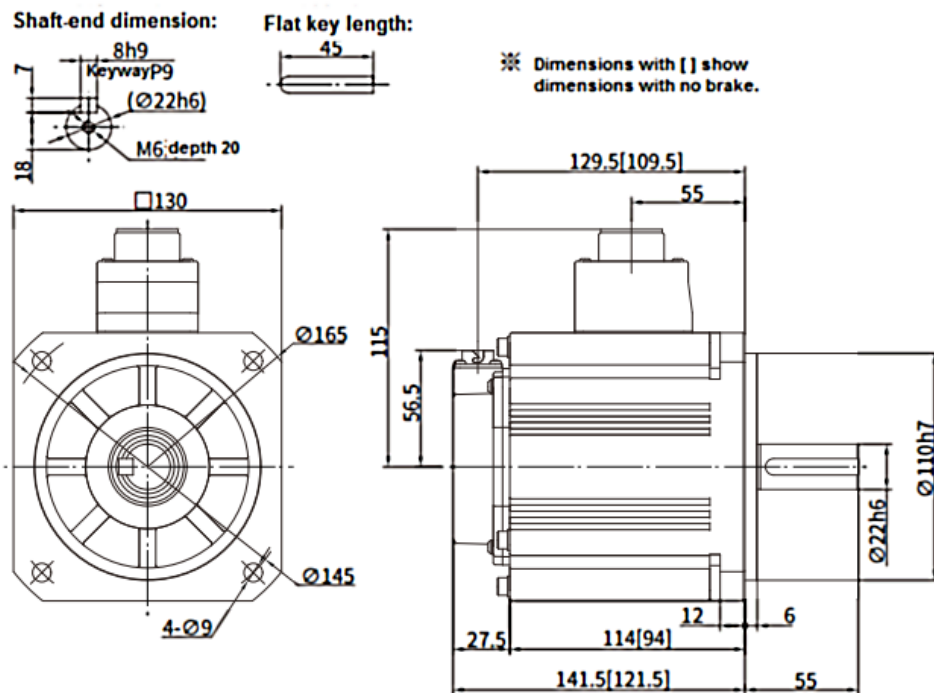
MH075A
High inertia



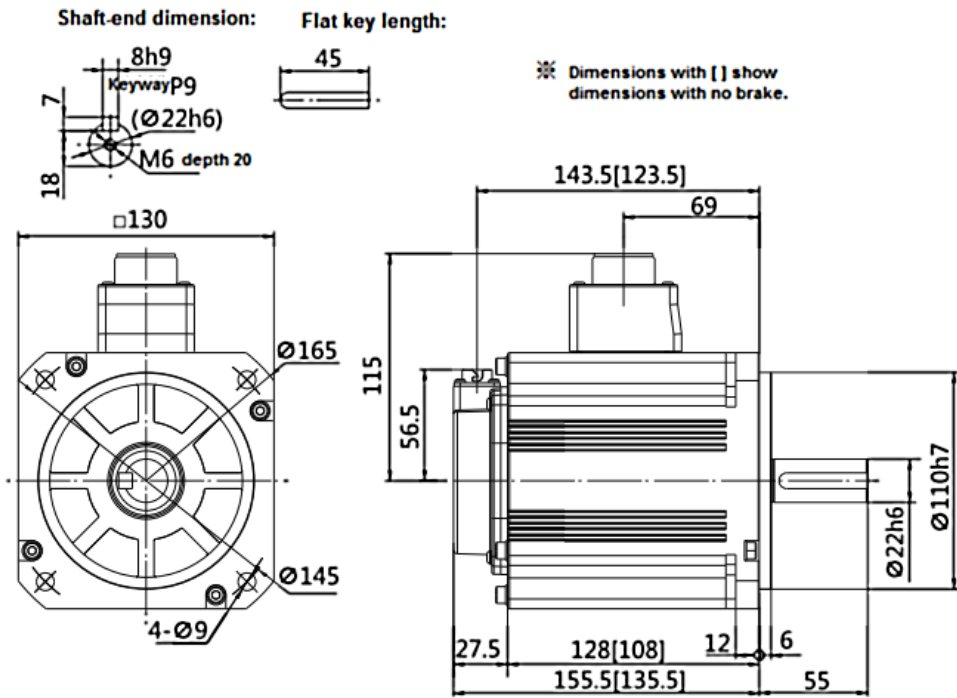
MM 100A
Medium inertia



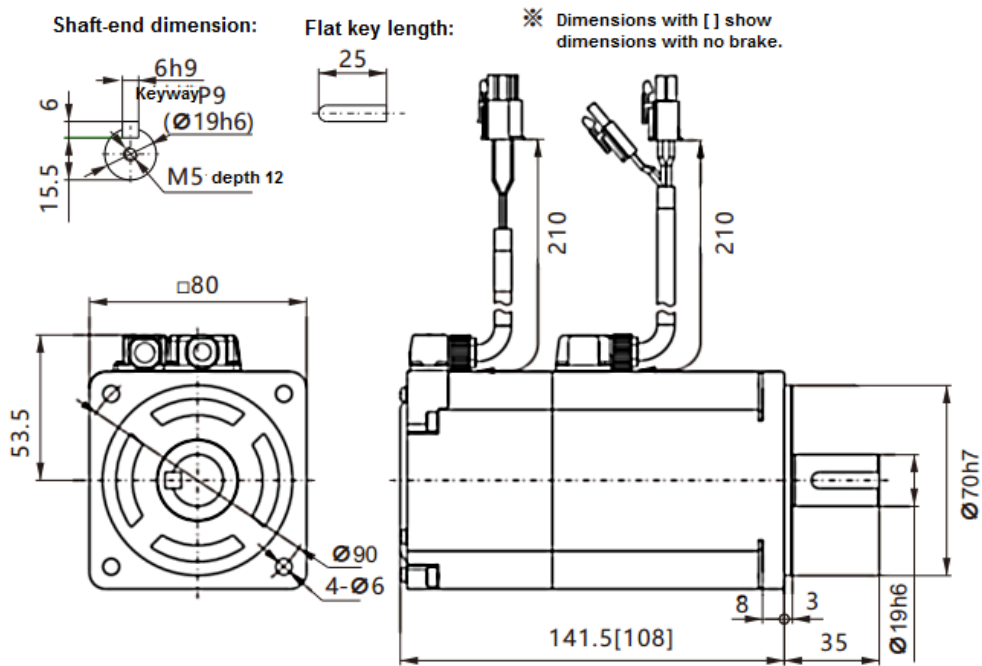
MM100B
Medium inertia



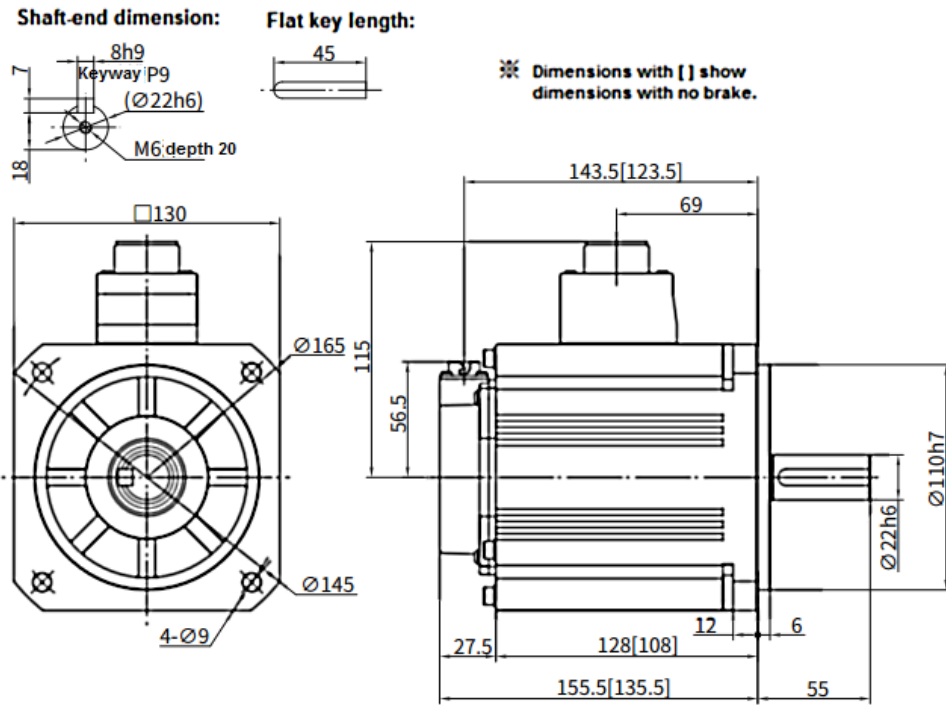
MH100A
High inertia



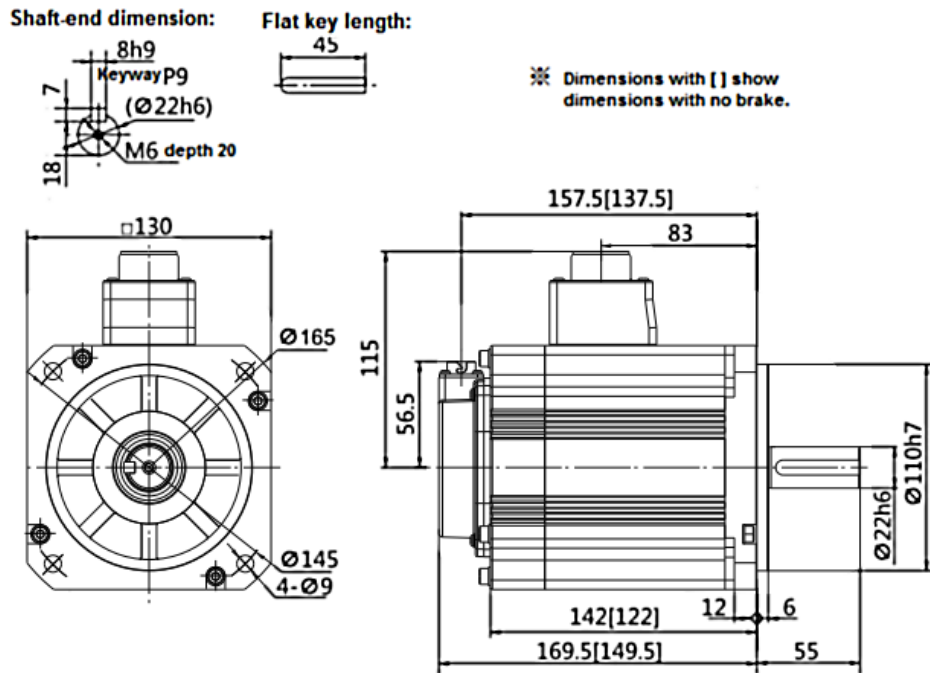
MH100C
High inertia



MM 150B
Medium inertia

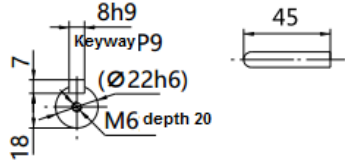


MH150A
High inertia

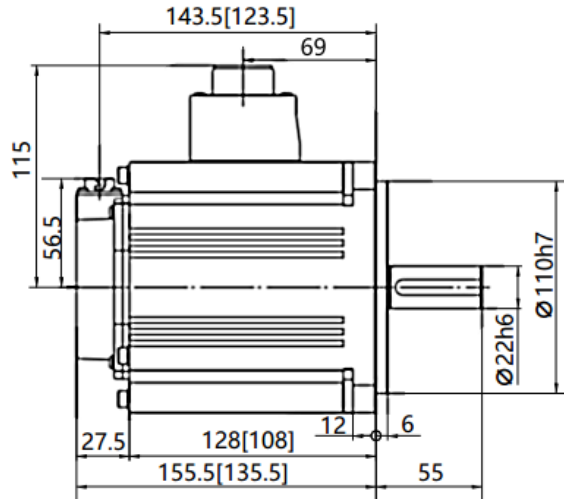
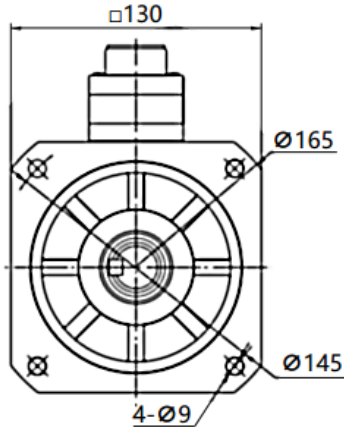


MM200A
Medium inertia

Shaft-end dimension: Flat key length:

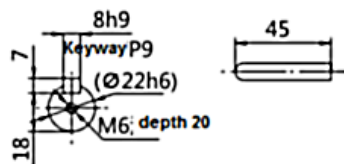


※ Dimensions with [] show dimensions with no brake.

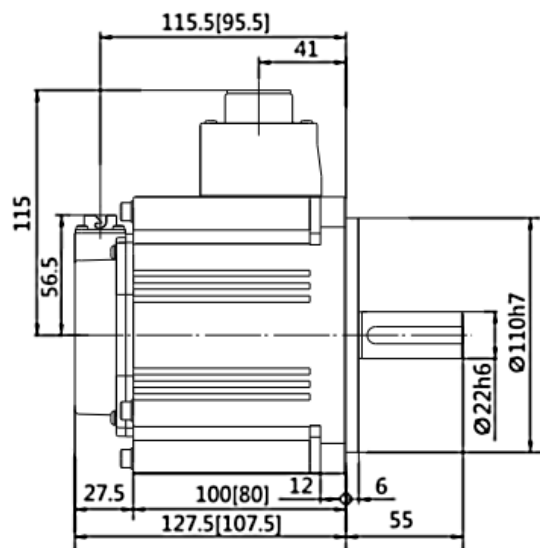
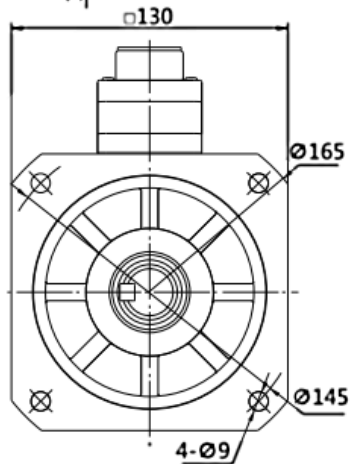


MG085B
Low-speed high-torque

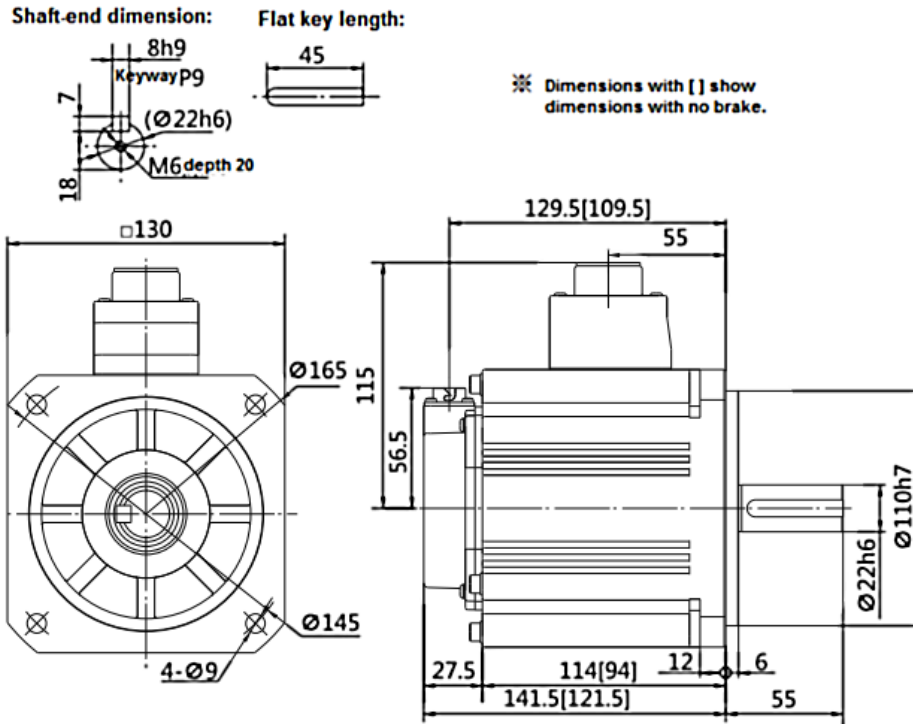
Shaft-end dimension: Flat key length:



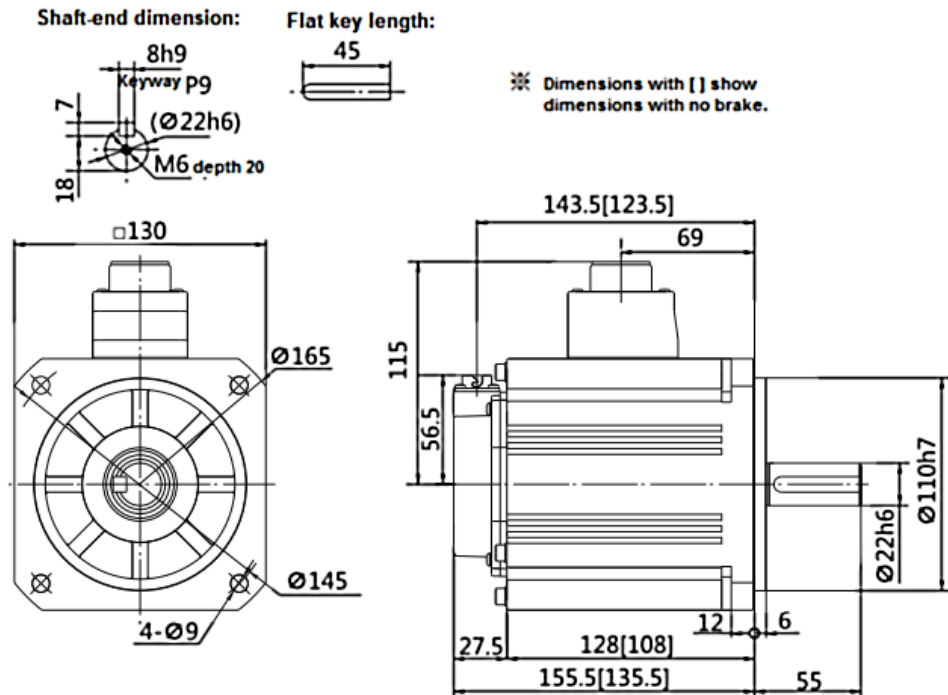
※ Dimensions with [] show dimensions with no brake.



MG 130B
Low-speed high-torque

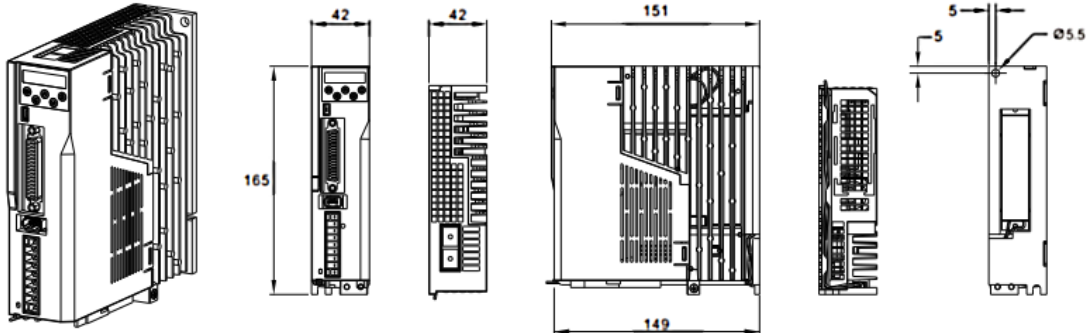


MG 180B
Low-speed high-torque

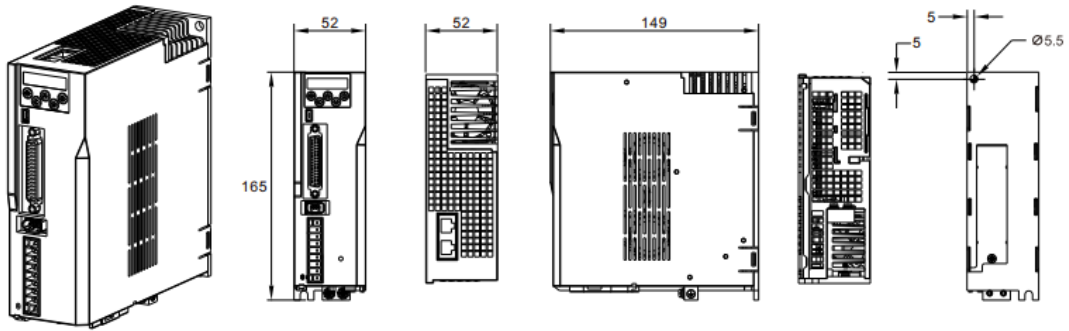


3.5 External dimensions of servo drives

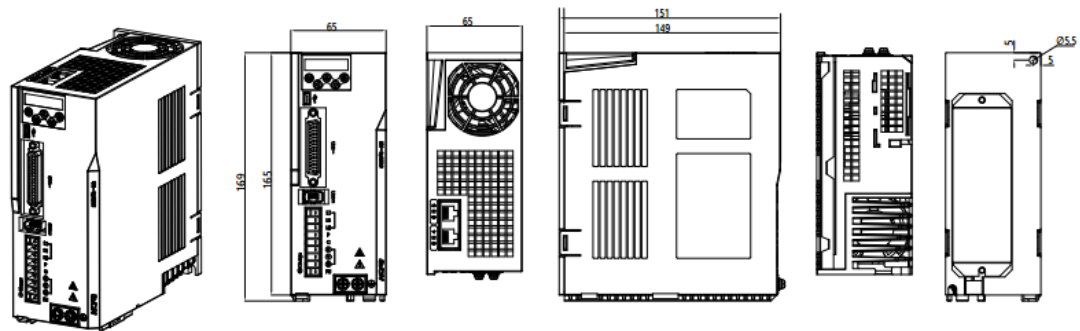
Models of below 400W



Models of 750W/1kW



Models of 1.5KW/2KW/2.5KW

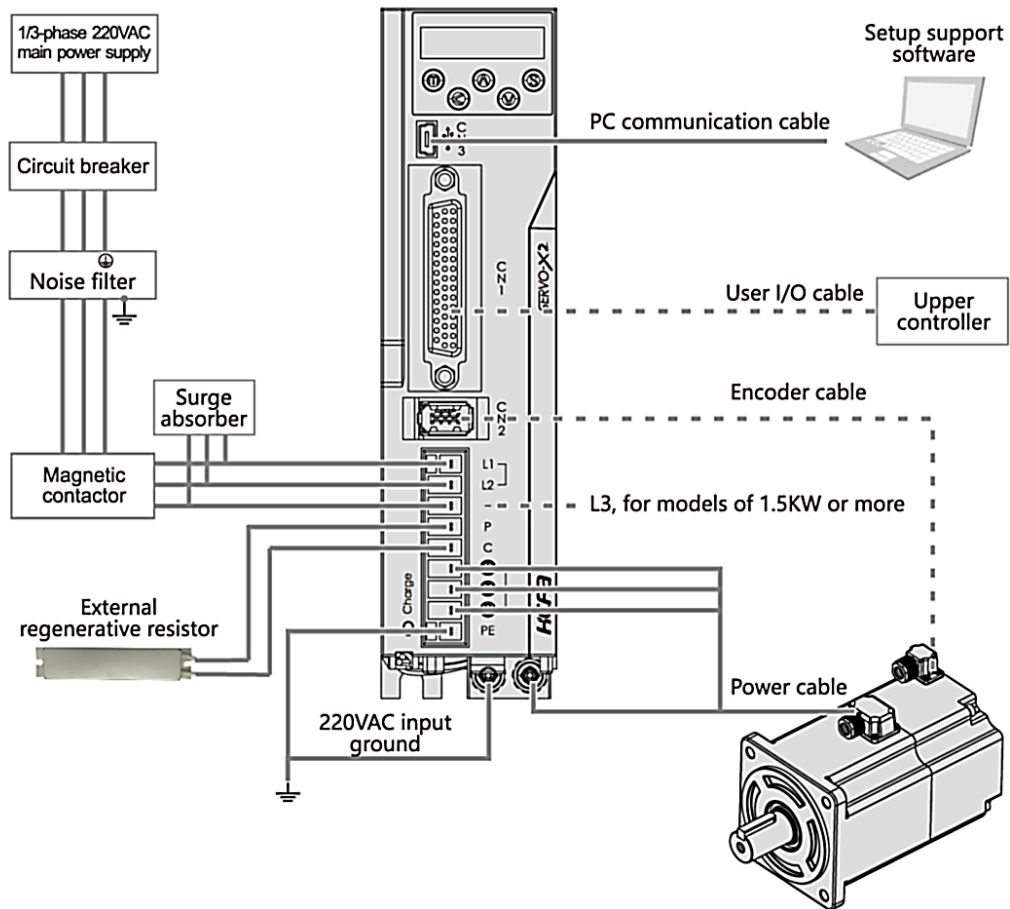


4. Servo motor and drive wirings

4.1 System wiring diagram

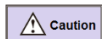
4.1.1 System wiring diagram

Figure 4.1.1 System Wiring diagram



※A twisted-pair shielded cable should be used if I/O cable length is over 50cm.

※Encoder cable should be less than 20m.




① Please note that there is high voltage in the solid line of wiring diagram when wiring and using.

② The dotted lines in the wiring diagram indicates non-dangerous voltage circuit.

4.1.2 Selection of peripheral devices

Table 4.1.1 Selection of peripheral devices

Items	Description
Peripheral devices	Conform to European EC Directive. Select the device which meets corresponding standards and install them in accordance with Figure 4.1.1 System Wiring diagram
Installation environment	Install the drive in environment conforming to Pollution degree 2 or 1 of IEC60664-1.
Power supply 1: 00~230VAC (main and control circuit)	This product can be used under the conditions that conform to IEC60664-1 and overvoltage category II .
Power supply 2: 24VDC Ⓒ I/O power supply Ⓒ Power supply for brake release	24VDC external power supply should use SELV power supply (※) and be less than 150W. This is the CE corresponding conditions. ※SELV: safety extra low voltage (Reinforced insulation is needed for safety extra low voltage, non-dangerous voltage and dangerous voltage.)
Wiring	Please use withstand voltage cables which are equivalent to AWG18/600V or AWG14/600V for motor power cable, encoder cable, AC220 input cable, FG cable and main circuit power distribution cable under multi-axis drive structure respectively when drives are less than 750W or more than 1kW .
Circuit breaker	Switch off the power supply to protect power cord when overcurrent occurs. Make sure to use the breaker between power supply and interference filter that conforms to IEC specification and UL recognition in accordance with the User manual. Please use the breaker with leakage function recommended by HCFA in order to meet EMC standards.
Noise filter	To prevent the outside interference from power cables please use the interference filter recommended by HCFA in order to meet EMC standards.
Magnetic contactor	Switch main power supply (ON/OFF). And use it after installing a surge absorber.
Surge absorber	Please use the surge absorber recommended by HCFA.
Interference filter for signal cable / ferrite core	Please use the interference filter recommended by HCFA in order to meet EMC standards.
Regenerative resistor	This product is not equipped with regenerative resistor. The external regenerative resistor is necessary when the internal capacitor cannot absorb more regenerative power and regenerative voltage alarm is ON. For details, refer to 1.4 Model selection of external regenerative resistor. Use a built-in thermostat and set overheat protect circuit.
Grounding	This product belongs to Class 1 and need grounding protection. Grounding should be executed for the case and cabinet that conforms to EMC. The following symbol indicates the protection grounding terminal? 

4.2 Drive terminal descriptions

4.2.1 Drive terminal descriptions

Figure 4.2.1 Drive terminal descriptions

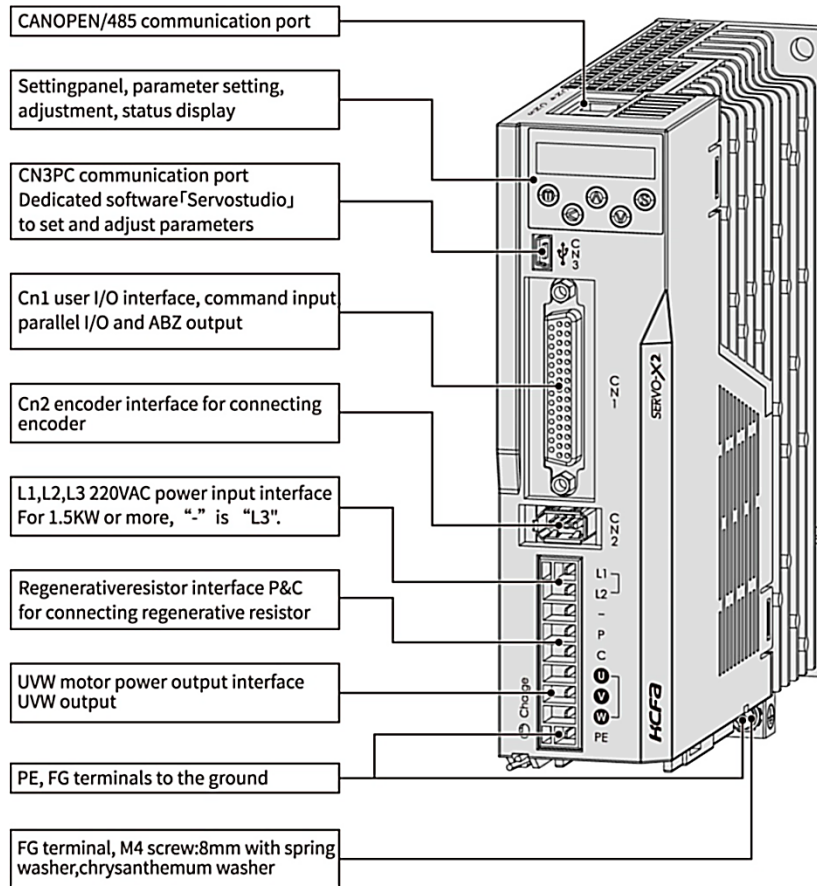


Table 4.2.1 Terminal arrangement of drive (750W or below)

Name	Symbol	Pin No.	Signal name	Contents
Regenerative resistor	P/C	4	P	P interface of regenerative resistor
		5	C	C interface of regenerative resistor
1-phase/3-phase 220VAC input	L1/ L2/L3	1	Primary Power 1	L1
		2	Primary Power 2	L2
		3	Primary Power 3	For 1KW or less, it is - . For 1.5KW or more, it is L3 .
Motor power output	U/V/W	1	U	Motor power U phase output
		2	V	Motor power V phase output
		3	W	Motor power W phase output
Encoder	CN2	1	VCC	Encoder power supply 5V output
		2	GND	Signal grounding
		3	NC	-
		4	NC	-

		5	+D	Encoder signal: data input/output
		6	-D	Encoder signal: data input/output
		-	FG	Connect SHIELD to the connector housing
PC communication	CN3	1	VBUS	USB power supply
		2	D-	USB data-
		3	D+	USB data+
		4	NC	-
		5	GND	USB signal grounding
CANOPEN/485 communication port	CN4/CN5	1	CANH	CAN communication port
		2	CANL	
		3	GND-CAN	CAN communication grounding
		4	485	RS485 communication port
		5	/485	
		6	-	-
		7	-	-
		8	-	-
I/O control terminal	CN1	Refer to Section 4.5 Wiring description of I/O control terminal (CN1)		

4.3 Terminal arrangement and wire color of motor connectors

4.3.1 Motor connector and pins arrangement (50 to 100W)

Figure 4.3.1 Motor connector and pins arrangement(50 to 750W)

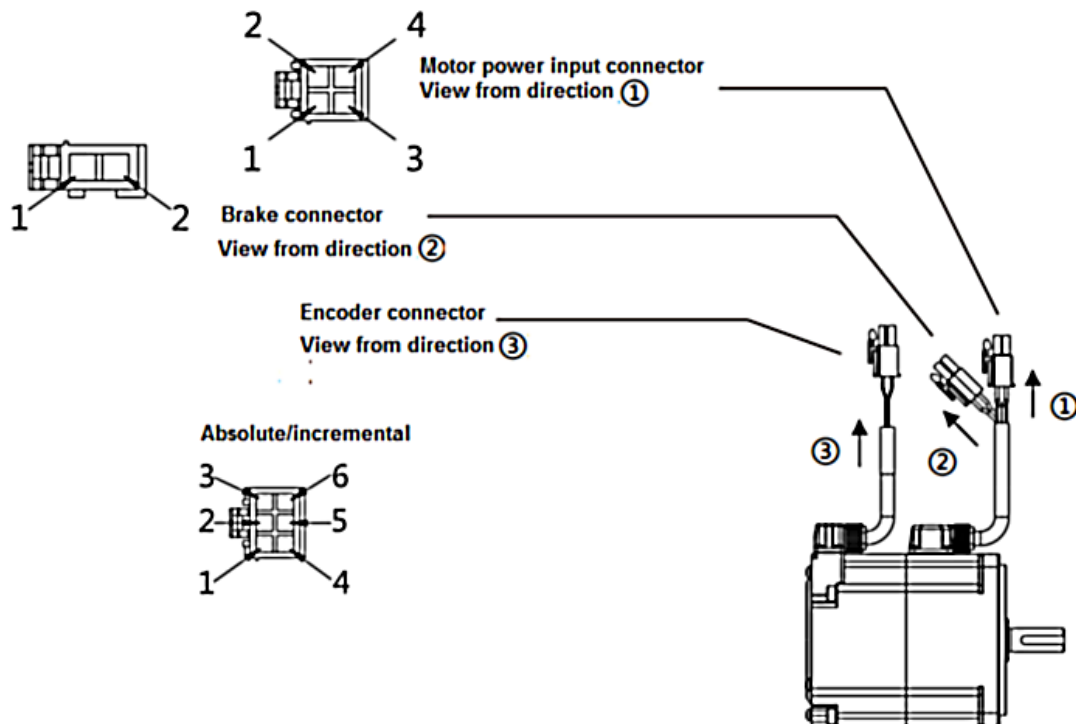


Table 4.3.1 Cable list (For motor of 50W to 100W)

Name	Cable
------	-------

Motor power input	AWG21
Brake ^{Note 1)}	AWG21
Encoder (Incremental)	AWG24
Encoder (Absolute)	

Note 1: For the motor with brake.

Table 4.3.2 Terminal arrangement and wire color for motor of 50W to 750W

Name	Pin No.	Signal name	Contents	Wire color
Motor power input	1	U	Motor power U phase	Red
	2	V	Motor power V phase	White
	3	W	Motor power W phase	Black
	4	FG	Motor housing grounding	Green
Brake(※1)	1	BRK+	Brake power supply 24VDC	Yellow(orange)
	2	BRK-	Brake power supply GND	Blue(brown)
Encoder (incremental)	1	-	NC	-
	2	+D	Serial communication data + data	White (red dotted)
	3	-D	Serial communication data - data	White (black dotted)
	4	VCC	Encoder power supply 5V	Orange (red dotted)
	5	GND	Signal ground	Orange (black dotted)
	6	SHIELD	Shielded wires	Black
Encoder (absolute)	1	BAT	External battery (※2)	Yellow(red dotted)
	2	+D	Serial communication data + data	White (red dotted)
	3	-D	Serial communication data - data	White (black dotted)
	4	VCC	Encoder power supply 5V	Orange (red dotted)
	5	GND	Signal ground	Orange (black dotted)
	6	SHIELD	Shielded wires	Black

※1 For motor with brake.

※2 External capacitor and battery are taking GND as the reference potential.

4.3.2 Motor connector and pins arrangement (for 1KW or above)

Figure 4.3.2 Motor connector and pins arrangement (for 1KW or above)

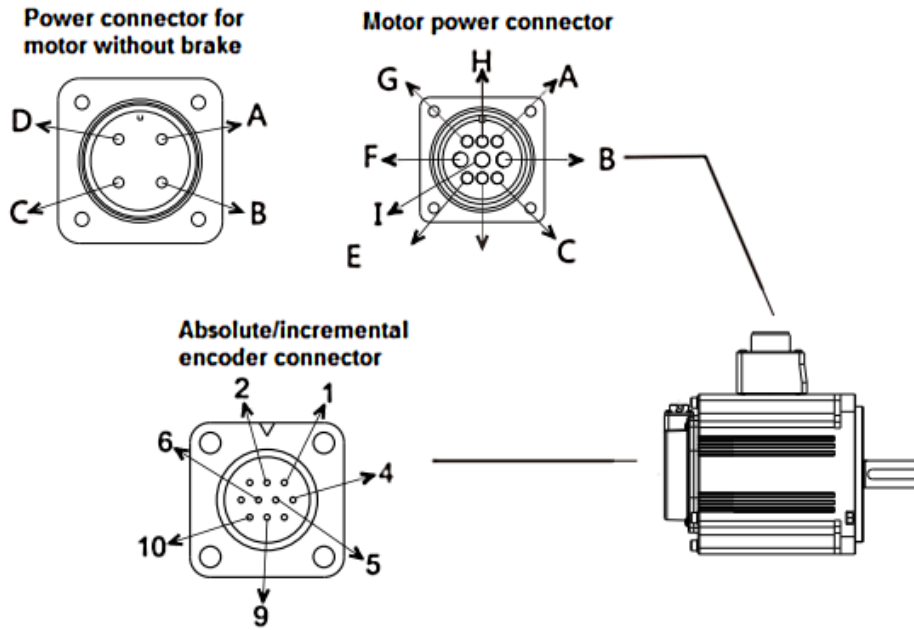


Table 4.3.3 Cable list (for motor of 1KW or above)

Name	Cable
Motor power input	AWG19
Brake	AWG21
Encoder (Incremental)	AWG24
Encoder (Absolute)	

Table 4.3.4 For the motor of 1KW or above

Name	Pin No.	Signal name	Contents	Wire color
Motor power input	A	-	NC	
	B	W	Motor power W phase	
	C	-	NC	
	D	FG	Motor housing grounding	
	E	FG		
	F	U	Motor power U phase	
	G	BRK1	Brake power supply 24VDC	
	H	BRK2	Brake power supply GND	
	I	V	Motor power V phase	
Power input for motor with no brake	A	U	Motor power U phase	
	B	V	Motor power V phase	
	C	W	Motor power W phase	
	D	FG	Motor housing grounding	
Encoder	1	VCC	Encoder power supply 5V output	-
	2	GND	Signal ground	
	3	-	NC	
	4	BATT	External battery +	
	5	+DO	Serial communication data +data	

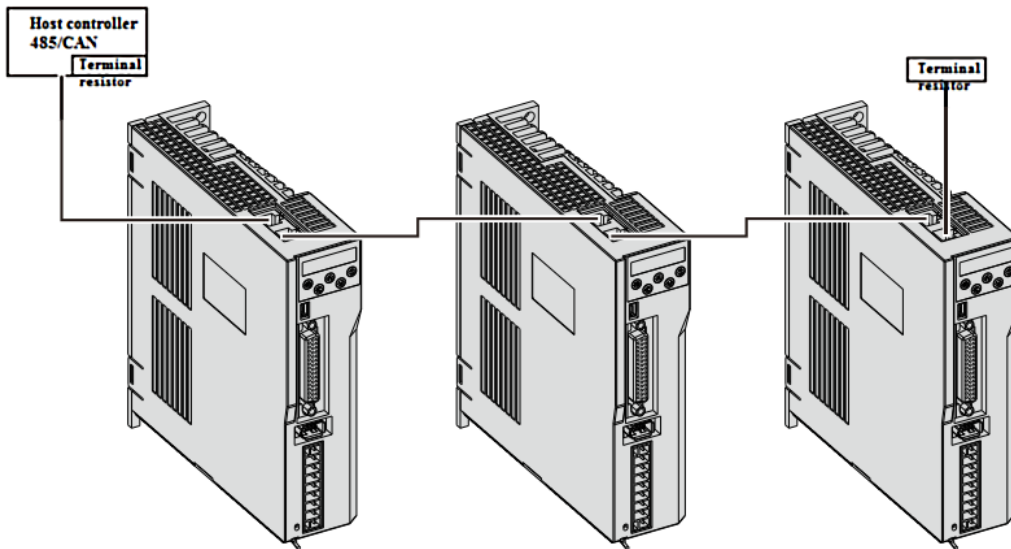
	6	-DO	Serial communication data -data	
	7	-	NC	
	8	-	NC	
	9	BAT-	External battery-	
	10	FG	Motor housing grounding	

※1 For motor with brake.

※2 External capacitor and battery are taking GND as the reference potential.

4.4 RS-485 communication wirings descriptions

Figure 4.4.1 Multi-station connection example

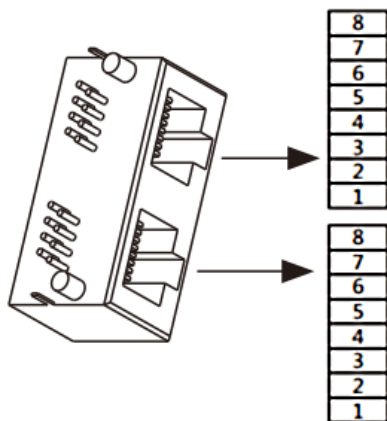


L1=5m (max): cables between upper controller and servo drive should be less than 5m.

L2=250mm (max): cables between each servo drive should be less than 250mm.

Terminal resistor: Connect the terminal resistor to the network interface of the last drive and upper controller (120 Ω).

■ Pins definition of communication connector

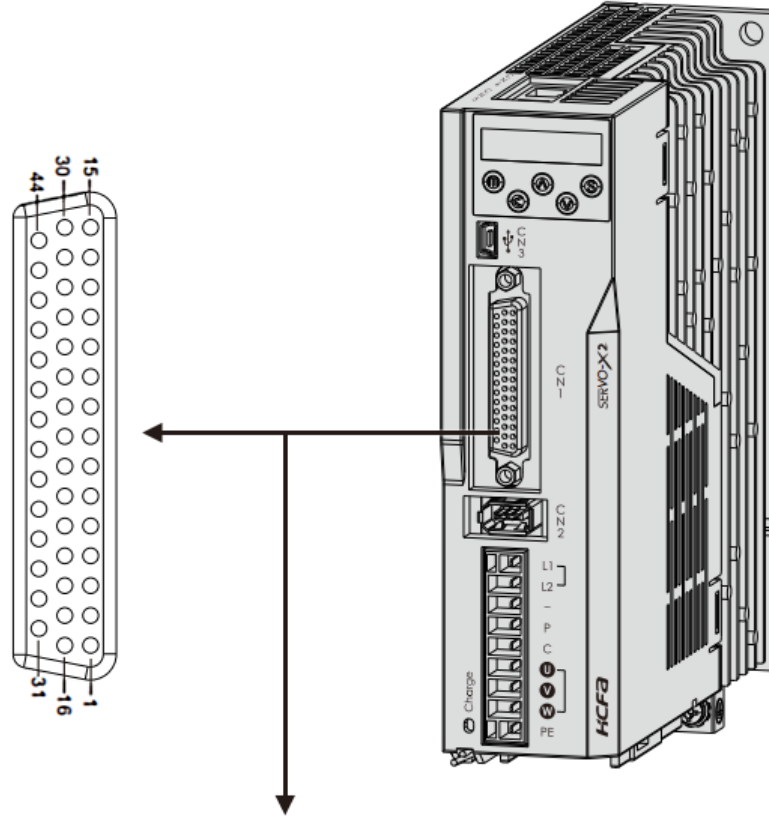


Pin No.	Signal name	Description
1	CANH	CAN communication port

2	CANL	
3	GND-CAN	CAN communication grounding
4	485	RS485 communication port
5	/485	
6	/	/
7	/	/
8	/	/

4.5 I/O control terminal (CN1) descriptions

Figure 4.5.1 Description of I/O control terminal



15	14	13	12	11	10	9	8	7	6	5	4	3	2	1
G24	OUTZ	COM1	I2	I1	I4	O1+	O1-	O2+	O2-	O3+	O3-	O4+		
30	29	28	27	26	25	24	23	22	21	20	19	18	17	16
GND	OZ	O5+	O5-	O4-	OUTB	/OUTZ	/OUTB	/OUTA	OUTA			+24V		
44	43	42	41	40	39	38	37	36	35	34	33	32	31	
OZOUT	/CMD_PLS	CMD_PLS	CMD_PLS	/CMD_DIR	/CMD_DIR	CMD_DIR	CMD_DIR	CC_P						

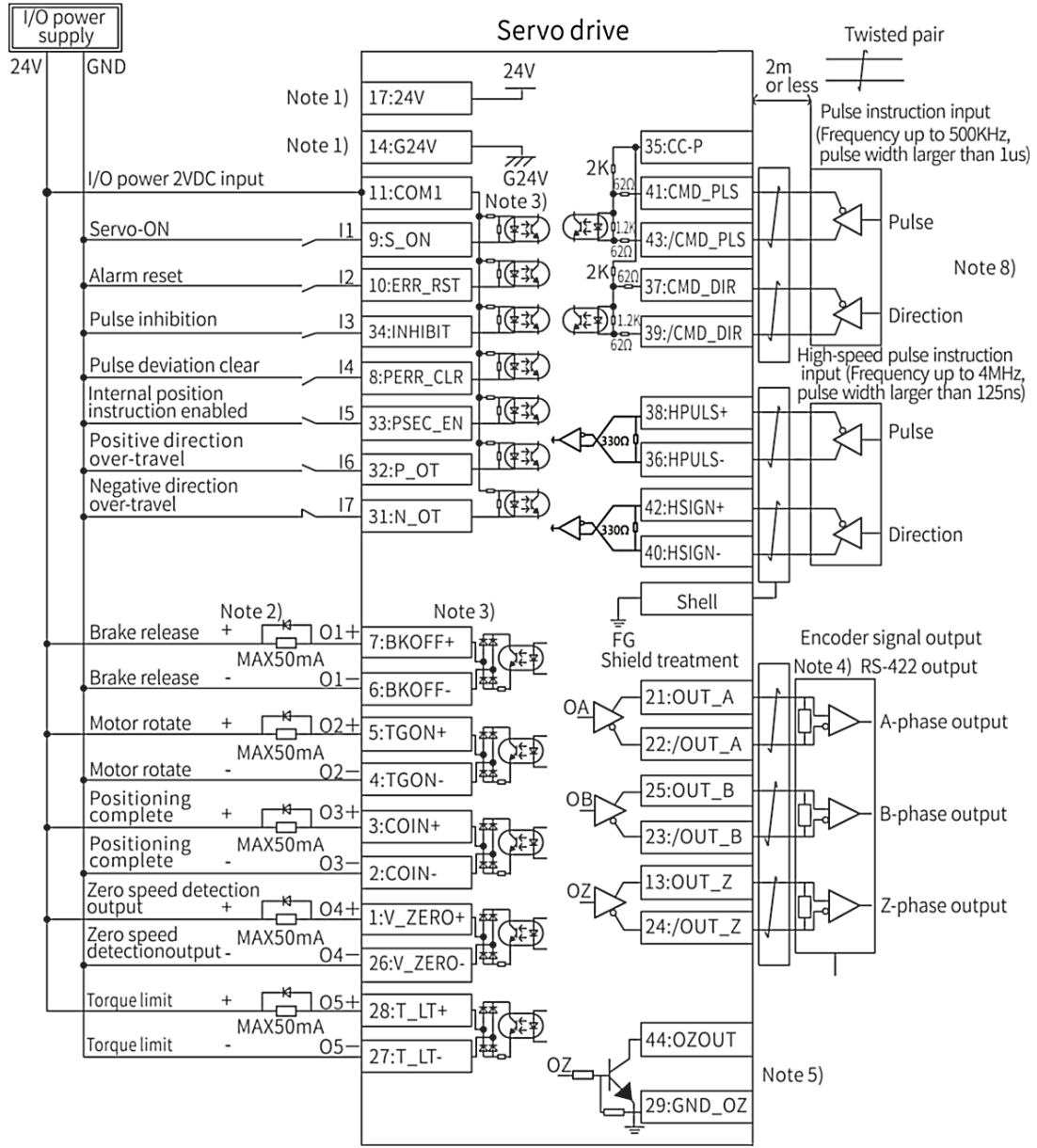
Table 4.5.1 Descriptions of I/O control terminal

Name	Pin No.	Signal name	Contents
I/O control	1	O4+	Digital signal output
24V power output	2	O3-	Digital signal output
	3	O3+	Digital signal output
Parallel I/O	4	O2-	Digital signal output
Pulse train	5	O2+	Digital signal output
Command input	6	O1-	Digital signal output
	7	O1+	Digital signal output
ABZ output	8	I4	Digital signal input
	9	I1	Digital signal input
	10	I2	Digital signal input
	11	COM1	I/O power input
	12	-	-

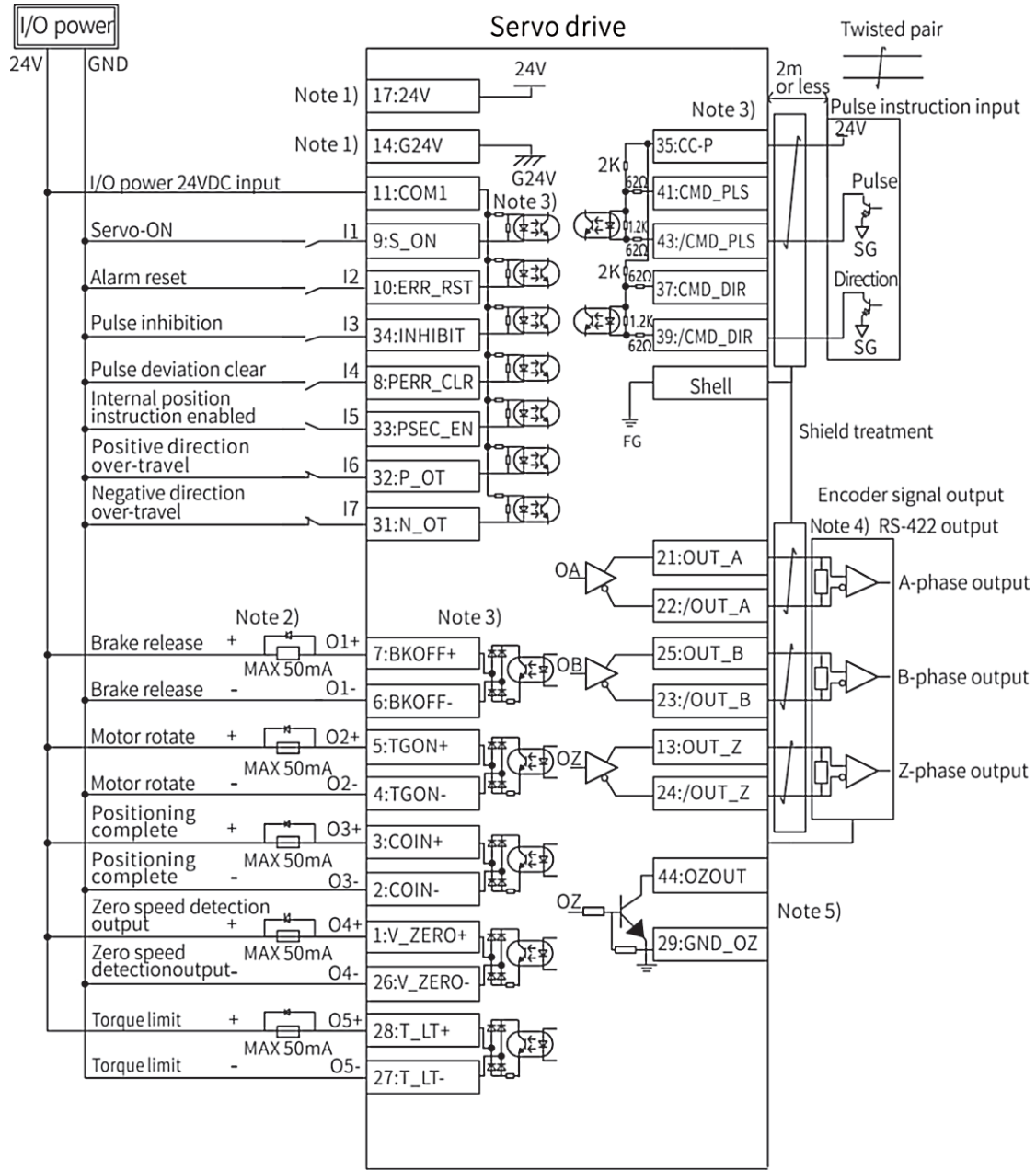
13	OUTZ	Pulse output Z
14	G24V	Drive power GND
15	-	-
16	-	-
17	24V	Drive power 24V output
18	-	-
19	-	-
20	-	-
21	OUTA	Pulse output A
22	/OUTA	Pulse output /A
23	/OUTB	Pulse output /B
24	/OUTZ	Pulse output /Z
25	OUTB	Pulse output B
26	O4-	Digital signal output
27	O5-	Digital signal output
28	O5+	Digital signal output
29	GND_OZ	Open-collector output GND_OZ
30	I8	Digital signal input
31	I7	Digital signal input
32	I6	Digital signal input
33	I5	Digital signal input
34	I3	Digital signal input
35	CC-P	Pulse and direction input common terminal 24V
36	HPULS-	High-speed pulse instruction input HPULS-
37	CMD_DIR	Direction instruction input DIR+
38	HPULS+	High-speed pulse instruction input HPULS+
39	/CMD_DIR	Direction instruction input DIR-
40	HSIGN+	High-speed pulse instruction input HSIGN+
41	CMD_PLS	Pulse instruction input PLS+
42	HSIGN-	High-speed pulse instruction input HSIGN-
43	/CMD_PLS	Pulse instruction input PLS-
44	OZOUT	Open-collector output OZOUT

4.6 Standard wiring diagrams

Pulse instruction differential input



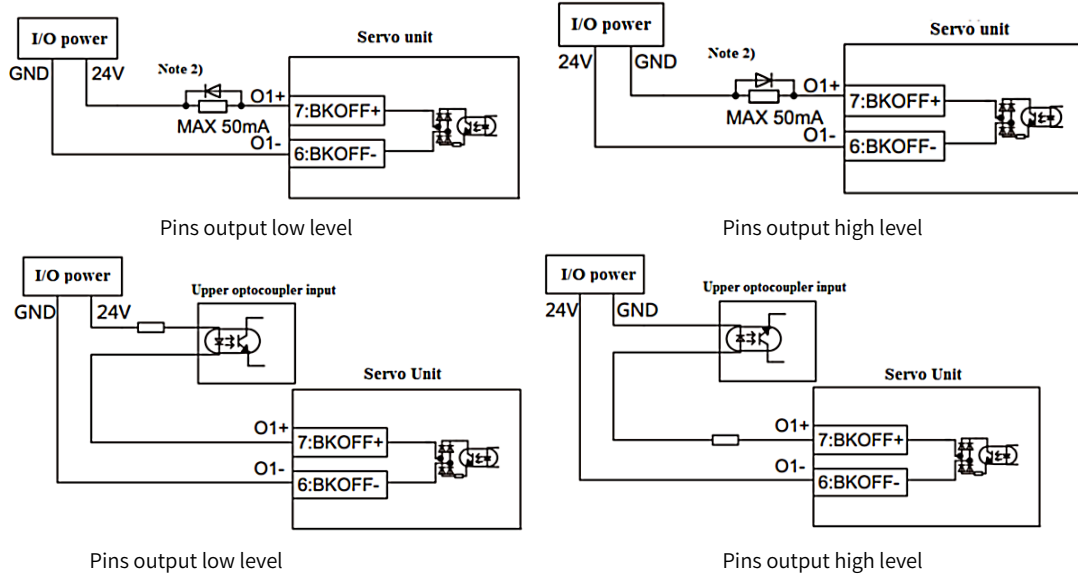
Pulse instruction 24V open-collector input



Note 1: Internal 24V power (24V, G24V) can be used as I/O power. But the maximum output current is 150mA, and when driving the output such as relay and brake, please use external independent power.

Note 2: Please connect protective circuit (diode) when driving load with inductive component such as relay.

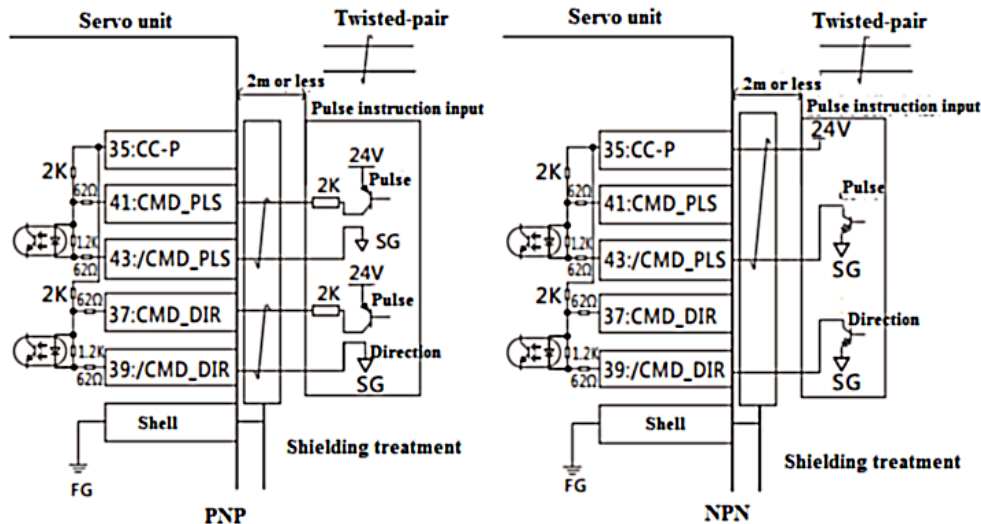
Note 3: Output pins can output high level or low level, based on different wiring mode. So perform the wiring according to actual needs. Make wiring as follows:



Note 4: The connecting terminal of differential pulse output signal, differential signal of 485 communication circuits and CANOPEN communication circuits need to be connected the terminal resistor.

Note 5: OZOUT is open-collector output and no manual configuration required.

Note 6: Two kinds of wiring according to the pulse generation mode: NPN and PNP, as shown below.



Note 7: If 5V open-collector circuit is required, be sure to connect an external 300Ω resistor.

Note 8) Please choose one according to the field demands between pulse instruction input and high-speed pulse input.

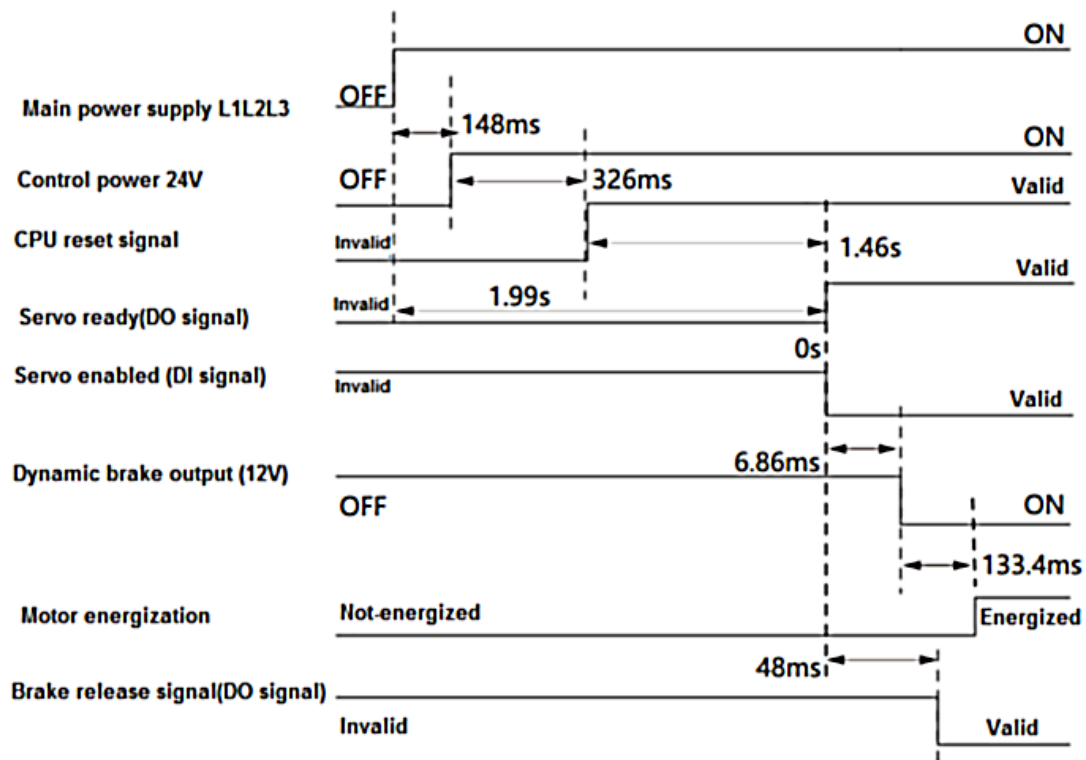
※ DI function can be flexibly configured by function codes. DI is valid by default when connected and the logic can be changed by function codes.

※ DO function can be flexibly configured by function codes. DO is valid by default when connected and the logic can be changed by function codes.

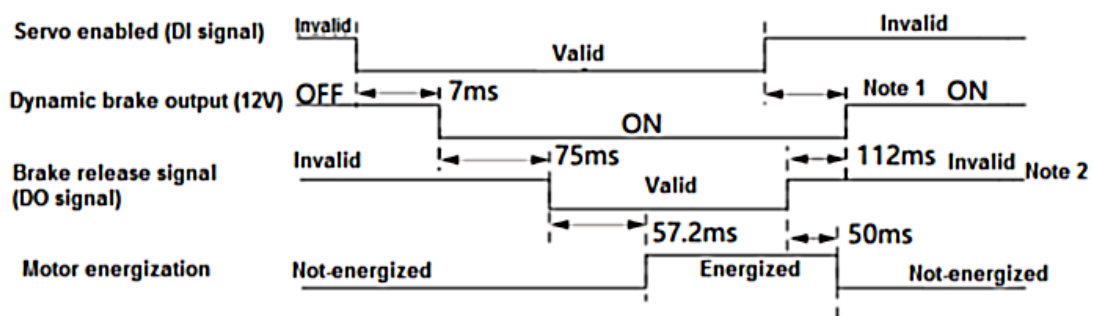
※ Adjust P06.41 for digital filtering of open-collector and general pulse input, and adjust P06.49 for digital filtering of high-speed pulse input.

4.7 Timing chart

4.7.1 Timing at power-on(Servo-ON signal accept timing at power-on)



4.7.2 Servo-ON/OFF action when the motor is in motion

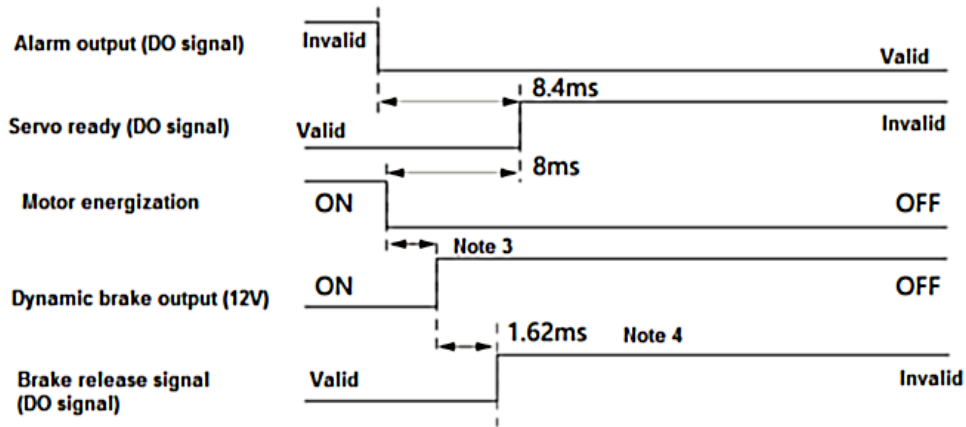


Note 1) When motor stops, the time sequence of dynamic brake output is related to the motor running speed. The greater the speed, the greater the time sequence. And the minimum value is 400us.

Note 2) When the motor stops, the time sequence of brake release is related to the settings of P04. 52 and P04. 53. And the minimum value is 2ms.

4.7.3 When an error(alarm) has occurred (at servo-ON command)

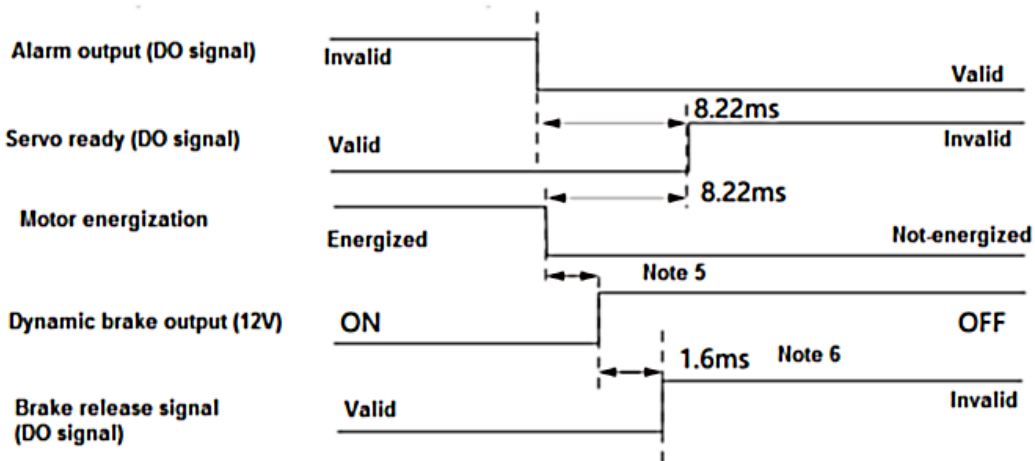
(1) Free run deceleration operation



Note 3) When motor stops, the time sequence of dynamic brake output is related to the motor running speed. The greater the speed, the greater the time sequence. And the minimum value is 500us.

Note 4) When the motor stops, the time sequence of brake release is related to the settings of P04. 52 and P04. 53. And the minimum value is 2ms.

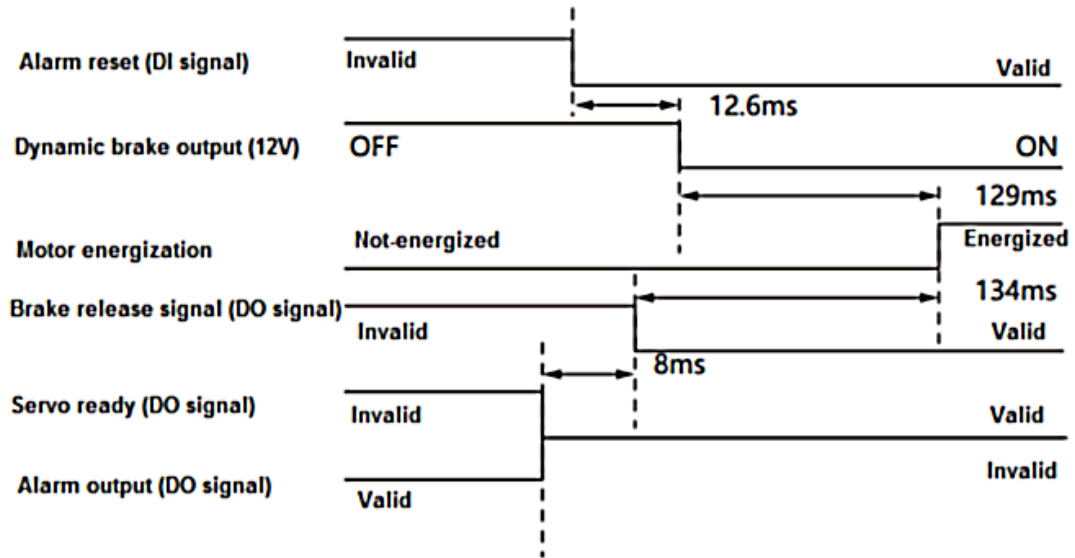
(2) Immediate stop operation



Note 5) When motor stops immediately, the time sequence of dynamic brake output is related to the motor running speed. The greater the speed, the greater the time sequence. And the minimum value is 500us.

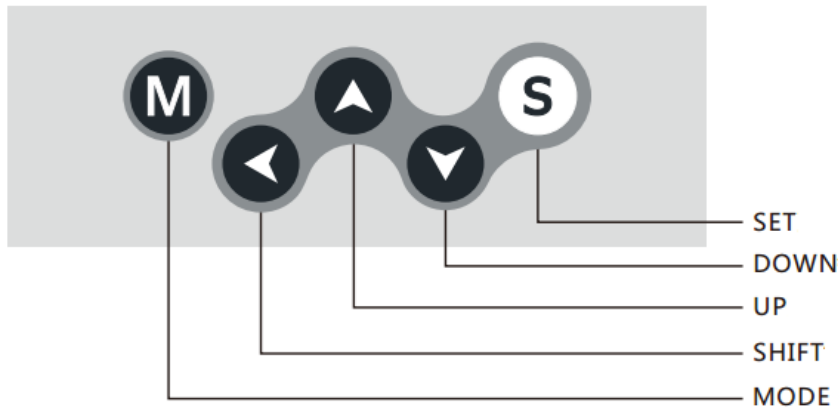
Note 6) When the motor stops immediately, the time sequence of brake release is related to the motor running speed. At immediate stop, the speed feedback is smaller than the setting value(50rpm), brake release output becomes invalid. And the minimum value is 2ms.

4.7.4 When an alarm has been cleared(at servo-ON command)



5. Operation panel display and operations

5.1 Keys descriptions



MODE button (m): switch level of parameters.

SET button (s): confirm the parameters modified.

UP button (^): increase value

DOWN button (v): decrease value

SHIFT button (s): shift to the data digit to be changed. For 32 bit, long-press SHIFT button to display higher digit. Long-press again to display sign bit. At the Level-0 panel, press SHIFT key to switch the monitoring parameters.

5.2 Display descriptions

The panel shows **...** after power-on, indicating it is initializing, then to display Level-0 contents.

Level-0 panel display:

When in fault: The first row of Level-0 panel flashes to display the error or alarm code.

For example:

Error display: **Err021** Alarm display: **AL086**.

Here press the SET button, the panel will not flicker. Press the MODE button to enter the Level-1 panel.

No fault: When all the settings after initialization are normal, the panel displays **ok rdy**.

Level-0 panel can monitor up to 12 state parameters. Up to 12 parameters can be displayed when the error or alarm occurs and up to 11 parameters when the drive is normal. When the error or alarm occurs, the first displayed is the error or alarm code, the second is operation state. When no error or alarm occurs, the first displayed is the operation state.

The other ten parameters can be set by P07.01 to P07.10. The setting value can be any value except 0 in Group P21. When set to 0, the corresponding position has no monitor parameters and press SHIFT button to skip it.

For example, when P07.01 is set to 1, it can monitor the parameter P21.01 (Motor speed feedback). These monitor parameters can be switched to display by pressing SHIFT button. If the monitor parameter is 32 bit, e.g. P21.17 (Feedback pulse counter), long-press the SHIFT button to switch over.

The displays are shown below according to different control modes when running:

Pc run Position control mode

Sc run Speed control mode

Tc run Torque control mode

Level-1 panel display:

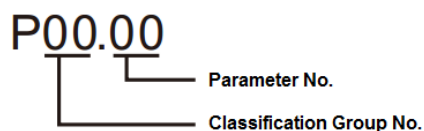
Displays parameter group No., e.g. P00, and the rightmost digit flickers to be modified. When modifying other digits, press SHIFT button.

Press SET button to enter into Level-2 panel display.

Press MODE button to return to Level-0 panel display.

Level-2 panel display:

The parameter No. is shown below:



The first row displays parameter group No. and offset, e.g. **P0100**, and the rightmost digit flickers to be modified.

When modifying other digit, press SHIFT button to shift.

Press SET button to enter Level-3 panel display.

Press MODE button to return to Level-1 panel display.

Level-3 panel display:

Take P01.00 as the example and **01350** displays. The specific value is determined by the property of parameter value. If the parameter value can be modified, the rightmost bit will flicker. When modifying other digit, press SHIFT button to shift. If the parameter is 32 bit, long-press the SHIFT button to switch over.

After pressing the SET button, the displays are shown as follows:

r.Pa.m.Dn Displays and indicates the successful modification of parameters. The parameter becomes valid after restarting power. Or it always displays until press the MODE button.

wr.t.End Displays and indicates the successful modification of parameters. After this parameter displays about 1s, it returns to the Level-2 panel display automatically.

r.dOnly Indicates read-only parameter and cannot be modified. After displaying for about 1s, it returns to the Level-2 panel display automatically.

ro.Sv.00 Indicates that the servo is in operation and the parameters cannot be modified. After displaying for about 1s, it returns to the Level-2 panel display automatically.

r.a.Lock Indicates the parameter cannot be written due to the specified range. For example, when P00.02 is not set to 0, the group P01 cannot be written into.

Press MODE button to return to Level-2 panel display.

5.3 JOG running and parameter identification

5.3.1 Operation and display at JOG running

1) Before entering JOG interface

Go to P20.00, then press SET button to enter the JOG interface and it displays JOG speed setting value (value of P03.04).

All other parameters are factory default, as shown below:

0200 Displays and the last digit flickers, indicating it can be modified. Press SHIFT button to shift to another digit and press UP/DOWN button to increase/ decrease the numerical value.

2) After entering JOG interface

After entering JOG interface, press SET button to show:

0200 Displays and the digit will not flicker, indicating the digit cannot be modified. Now the JOG process starts.

Hold and press UP button, the motor will do forward rotating at the speed displayed at the first-row. Hold and press DOWN button, the motor will do reverse rotating at the speed displayed at the first-row. When release UP/DOWN button, the motor will stop rotating. But this does not exit the JOG process. The drive is still in the speed control mode only the command is 0.

Press MODE button to exit the JOG process.

5.3.2 Inertia and encoder initial angle identification

1) Before entering the identification interface


Go to P20.03 and below will be shown:

0 displays and the last digit will flicker, indicating it can be modified. Modifying it to 1, the forward-rotation inertia identification will be performed. Modifying to 2, the reverse-rotation inertia identification will be performed.

Modifying to 5, the encoder initial angle identification will be performed. Other values are undefined.

2) After entering the identification interface

After entering the identification interface, when the parameter value at first-row is modified to 1 or 2, press SET button to start the inertia identification. The displays are shown below:

Display  and the value of load inertia ratio (P00.04).

After identification has been completed, long-press SET button (about 2s or more), the inertia value identified just now can be stored into E2PROM. The actual process is, the inertia value identified has been recorded into P00.04 and then the value of P00.04 stored into E2PROM.

After entering the identification interface, modify the parameter value to 5, then press SET button, the encoder initial angle identification starts. Then displays the value of present electrical angle (P21.09).

After the identification is completed, no storage is required. Long-press SET button (about 2s or more) has no effect.

Press MODE button to exit the identification process.

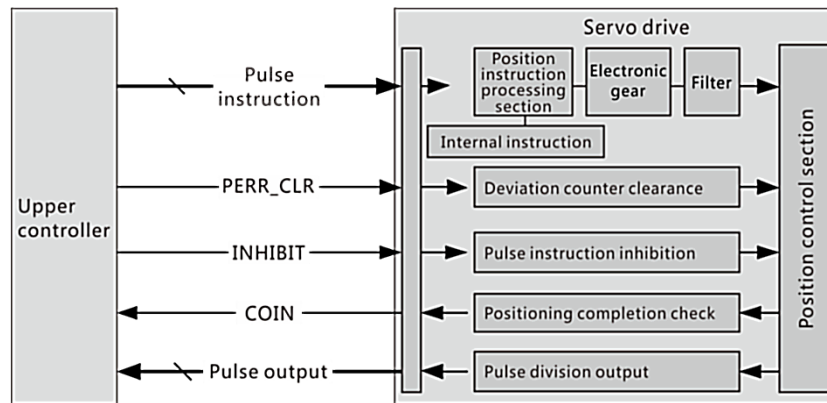
6. Control functions

6.1 Position control mode

Outline

Position control can be performed based on the position instruction (pulse train) from the upper controller or internal position control. This section describes the fundamental setup to be used for the position control.

Figure 6.1 Block diagram of position control function



Function description

1. Position instruction processing section:

Position instruction processing section determines the command source, does command counting and specifies the command unit required by the present control mode in real-time. There are three position instruction sources (P00.05): 0- Pulse instruction; 1-step value; 2-internal position control. Pulse instruction has six forms (P00.07): 0-Direction + pulse, positive logic (Default); 1-Direction+ pulse, negative logic; 2- A-phase + B-phase, positive logic; 3- A-phase + B-phase, negative logic; 4- CW+CCW, positive logic; 5- CW+CCW, negative logic. The user needs to set P00.05 and P00.07 based on the actual command from upper controller and determines the wiring mode by differential input or open-collector (OC) input based on the signal form from the upper controller.

When the command source is step value, set the step value in P00.26. The drive will have the interpolation at a very low speed to complete the specified position distance, which can be used for manual adjustment.

When command source is internal position control, set the 16 positions, speeds and acceleration/deceleration times. The drive will have the linear interpolation based on the set parameters to complete the specified position distance.

Relevant parameters:

P00	05	Position instruction source	0: Pulse instruction 1: Step value instruction 2: Internal position control
P00	07	Pulse form	0: Direction + pulse, positive logic (Default) 1: Direction + pulse, negative logic 2: A-phase(pulse) + B-phase(sign), 4 multiplication,

	27	High-speed pulse form	positive logic 3: A-phase + B-phase, 4 multiplication , negative logic 4: CW+CCW, positive logic 5: CW+CCW, negative logic
P00	26	Step value setting	-9999~9999 command unit

For details of internal position control, please refer to the parameters of Group P08.

2. Electronic gear:

This function multiplies the input pulse instruction from the upper controller by the specified ratio and applies the result to the position control section as the final position control command per unit of encoder minimum resolution.

When P00.08 is not 0, Position control command = Encoder resolution * Input command / P00.08;

When P00.08 is 0, Position control command = Electronic gear ratio numerator * Input command / Electronic gear ratio denominator. The present electronic gear ratio can be selected by DI function of GEAR_SEL1 and GEAR_SEL2.

GEAR_SEL1 OFF, GEAR_SEL2 OFF→Electronic gear ratio 1

GEAR_SEL1 ON, GEAR_SEL2 OFF→Electronic gear ratio 2

GEAR_SEL1 OFF, GEAR_SEL2 ON→Electronic gear ratio 3

GEAR_SEL1ON, GEAR_SEL2 ON→Electronic gear ratio 4

Relevant parameters:

P00	08	Instruction units per motor one revolution(32-bit)	0 Unit/Turn ~1073741824 Unit/Turn
P00	10	Electronic gear numerator 1 (32-bit)	1~1073741824
P00	12	Electronic gear denominator (32-bit)	1~1073741824
P06	00	Electronic gear numerator 2(32-bit)	1~1073741824
P06	02	Electronic gear numerator 3(32-bit)	1~1073741824
P06	04	Electronic gear numerator 4(32-bit)	1~1073741824

Even though the setting range of electronic gear ratio numerator/ denominator is wide, when the ratio exceeds the setting range, the electronic gear setting fault Err.048 occurs. Therefore, the electronic gear ratio must satisfy the following range:

$$\text{Encoder resolution} / 10000000 \leq \text{Numerator} / \text{Denominator} \leq \text{Encoder resolution} / 2.5$$

3. Position instruction filter

To smooth the instruction calculated by the electronic gear ratio, the position instruction filter function must be used.

There are two built-in position instruction filters: Low-pass smoothing filter (IIR) and FIR filter. The longer the filtering time, the better the filtering effect, but the response delay also becomes larger.

Relevant parameters:

P02	00	Position instruction smoothing filter	0ms~6553.5ms
P02	01	Position instruction FIR filter	0.0ms~128.0ms

4. Pulse frequency-division output function

The motor rotating position information can be sent to the upper controller in the form of AB-phase orthogonal pulse. Z-phase signal outputs once per motor revolution. Pulse output source, resolution, phase logic and Z-signal logic can be set by the function codes.

Relevant parameters:

P00	14	Pulse output counts per motor one revolution (32-bit)	16PPR ~ 1073741824PPR
P00	16	Pulse output positive direction definition	0-CCW 1-CW
P00	17	Pulse output OUT_Z polarity	0-Z pulse high level

			1-Z pulse low level 2-High accuracy Z pulse high level 3- High accuracy Z pulse low level
P00	18	Pulse output function selection	0- Encoder frequency-division output 1- Pulse instruction synchronous output 2-Pulse instruction interpolation output (gantry synchronization) 3-External encoder pulse synchronization output

5 Deviation clear function

This function is used to clear pulse deviation of internal position controller in any situation to avoid the accumulated position deviation.

Relevant parameters:

P06	06	Position deviation clearance function	0: Clear position deviation when servo is OFF and has error; 1: Clear position deviation only when servo has error; 2: Clear position deviation when servo is OFF and has error and PERR_CLR is valid; 3: Clear position deviation only by PERR_CLR
-----	----	---------------------------------------	--

6. Input pulse inhibition function

This function is used to ignore the pulse input signal when necessary and the counting of position instruction input counter will be forced to stop. Only DI7, 8, 9 can be used.

Relevant parameters:

P06	42	Input pulse inhibition setting	0: 0.5ms twice continuously consistent; 1: 0.5ms three times continuously consistent; 2: 1ms three times continuously consistent; 3: 2ms three times continuously consistent. (Only DI7,8 can be selected)
-----	----	--------------------------------	--

7. Positioning completion detection function

If position deviation is within the setting range, servo can determine the positioning completion and position near and output digital signal COIN and NEAR based on the settings

Relevant parameters:

P04	47	Positioning completion (COIN) threshold	1P~65535P
P04	48	Positioning completion output setting	0: When position deviation absolute value is less than the setting value of P04.47, output COIN signal; 1: When position deviation absolute value is less than the setting value of P04.47 and position instruction is 0, output COIN signal; 2- When position deviation absolute value is less than the setting value of P04.47 and position instruction is 0, output COIN signal and holding time is the setting value of P04.49. 3: When position deviation absolute value is less than the setting value of P04.47 and position instruction is 0 after filtering, output COIN signal; 4: Condition 0 and zero-speed signal is valid, output COIN signal;

			5: Condition 1 and zero-speed signal is valid, output COIN signal; 6: Condition 2 and zero-speed signal is valid, output COIN signal; 7: Condition 3 and zero-speed signal is valid, output COIN signal.
P04	49	Positioning completion holding time	1~65535ms
P04	50	Positioning near (NEAR) threshold	1P~65535P

6.2 Speed control mode

Outline

You can control the speed according to the speed command from the upper controller or the speed command set in the servo drive.

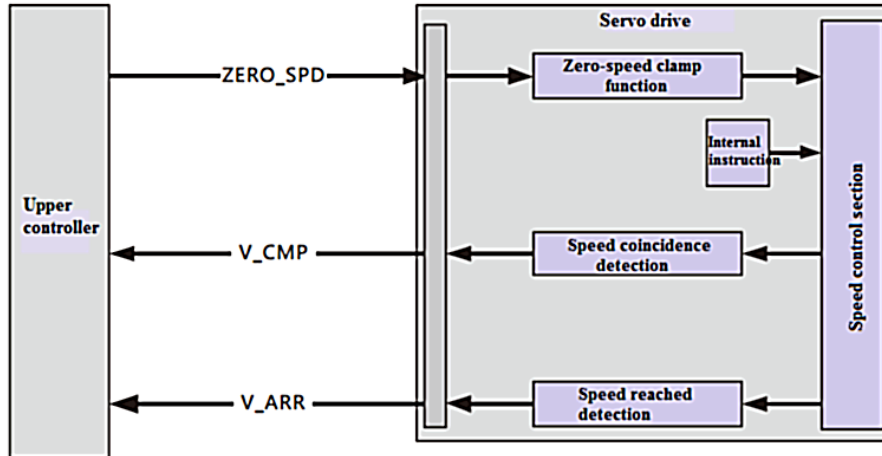


Figure 6.2 Block diagram of speed control mode

Function description

1. Speed command processing

When P03.00 is set to 0, set the digital speed command value in P03.03.

When P03.00 is set to 3, set the 16 multi-stage internal speed command value and acceleration/deceleration time in P03.31 to P03.51.

Relevant parameters:

P03	00	Speed instruction source	0: Digital setting (P03.03); 1: Reserved; 2: Reserved; 3: Multi-stage 1~16 switchover; 4: Reserved; 5: Reserved; 6: Multi-stage 1~16 switchover + digital setting.
P03	03	Speed instruction digital setting	-9000rpm~9000rpm

2. Zero-speed clamp (ZERO_SPD) function

The speed command can be set to 0 forcibly by DI function ZERO_SPD. User can determine whether to switch over to position control mode by setting value of P03.19.

Relevant parameters:

P03	19	Zero-speed clamp function	0: Invalid 1: When ZERO_SPD is valid, the speed command is forced to be 0. 2: When ZERO_SPD is valid, the speed command is forced to be 0. When the actual speed of motor is less than the value of P03.20, servo will switch over to position control mode and lock.
-----	----	---------------------------	--

P03	20	Zero-speed clamp threshold value	0rpm~1000rpm
-----	----	----------------------------------	--------------

3. Speed conformity (V_CMP) detection

The speed conformity V_CMP signal will output when the speed command before acceleration/deceleration and motor speed feedback is within the range specified by P04.44. There is 10rpm delay actually.

Relevant parameters:

P04	44	Speed conformity signal width	0rpm~9000rpm
-----	----	-------------------------------	--------------

4. Speed reached (V_ARR) detection

The signal V_ARR will output when the actual speed reaches the speed specified. There is 10rpm delay actually.

Relevant parameters:

P04	45	Speed reached signal width	10rpm~9000rpm
-----	----	----------------------------	---------------

5. Acceleration/deceleration setting function

There are two groups of acceleration/deceleration time. When internal multi-stage speed command is used, select the acceleration/deceleration time of Group 1 or Group 2. When the acceleration/deceleration time is set to 10ms, it indicates the time of acceleration from 0rpm to 1000rpm or deceleration from 1000rpm to 0rpm is 10ms.

Relevant parameters:

P03	14	Acceleration time 1	0ms~65535ms/1000rpm
P03	15	Deceleration time 1	0ms~65535ms/1000rpm
P03	16	Acceleration time 2	0ms~65535ms/1000rpm
P03	17	Deceleration time 2	0ms~65535ms/1000rpm

6.3 Torque control mode

Outline

The torque control is performed according to the torque command (internal torque setting). For controlling the torque, the speed limit input is required in addition to the torque command to maintain the motor speed within the speed limit.

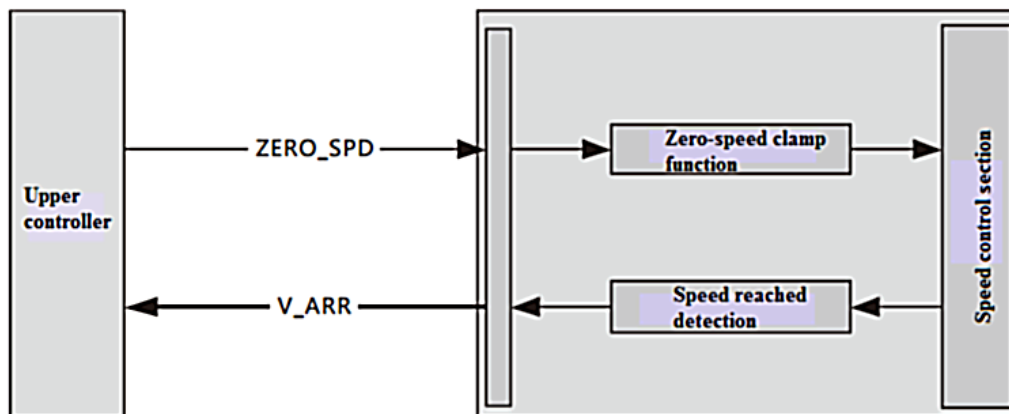


Figure 6.3 Block diagram of torque control mode

Function description

1. Torque command processing

When P03.00 is set to 0, set the digital speed command value in P03.25.

When P03.00 is set to 2, the digital setting and analog setting can be switched over via DI function CMD_SEL.

Relevant parameters:

P03	22	Torque instruction source	0: Digital setting of P03.25; 1: Reserved for X2 series; 2: Reserved for X2 series; 3: Reserved for X2 series 4: Reserved for X2 series.
P03	25	Torque instruction digital setting value	-300.0%~300.0% (relative to motor rated torque)

The relevant parameters for analog input are the same as speed control mode.

2. Speed limit function at torque control

In the torque control mode, the speed control circuit is disconnected, so the speed must be limited to prevent accidents. The speed limit function is to limit the motor rotation speed within a specified range. When the motor speed exceeds the speed limit value, the actual torque instruction is no longer equal to the torque command, but is equal to the output of the speed limit regulator. The speed limit value can be set by P03.27 and P03.28, or analog input SPL. The final speed limit must not exceed the maximum motor speed.

Relevant parameters:

P03	26	Speed limit source in torque control	0: Internal positive/negative speed limit P03.27 and P3.28 For X2 series drive, this parameter cannot be modified and there is only one selection.
P03	27	Internal positive speed limit	0rpm~9000rpm
P03	28	Internal negative speed limit	0rpm~9000rpm

6.4 Motion control functions

6.4.1 Internal position control

1. Description

In position control mode, you can give the commands by external pulse, also can select drive internal command. You can set the number of commands, operation speed and acceleration/deceleration time easily.

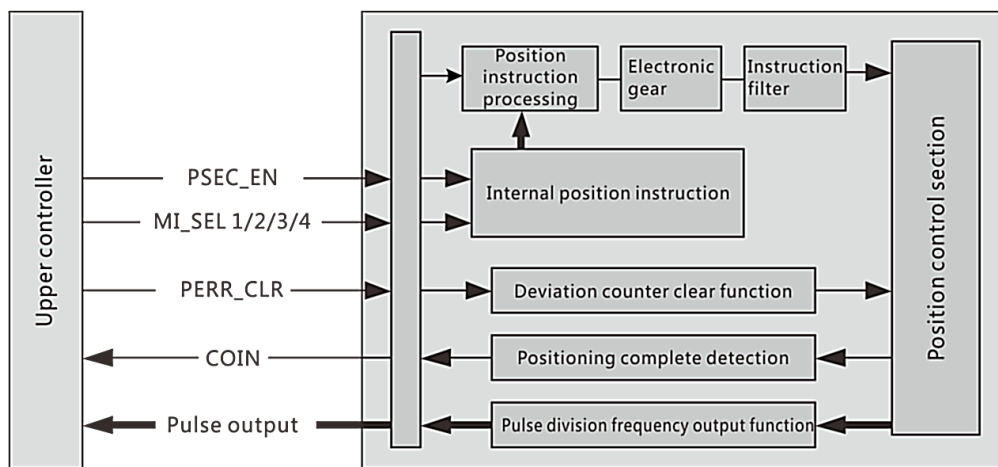


Figure 6-4 Block diagram of internal position control

The internal position control, like the external pulse instruction, is regulated by the electronic gear and position instruction

filter and can receive the deviation counter clear signal. It can output positioning completion signal after positioning completed and can configure pulse division frequency output.

The unit of internal position control is the user command unit, not the unit of encoder inside the drive (min resolution of the encoder). So it is necessary to set the corresponding electronic gear ratio. For example, if the number of pulses per encoder one revolution is P_{enc} and the number of pulses per one revolution user expecting is P_{user} , the electronic gear ratio should be: P_{enc}/P_{user} .

Internal position control can set up to 16 multi-stage commands and different operation speed and acceleration/deceleration time can be set for each stage. There is sequential operation pattern and random operation pattern that is to execute certain stage position instructions sequentially or randomly. The relative or absolute instruction can be configured, that is the increment relative to the current position or absolute position relative to the origin point for each stage.

For sequential operation pattern, the start-stage number and end-stage number can be set, starting from the start-stage, ending at the end-stage. There are single operation and cycle operation to be selected. For the single operation, after the end-stage completes, the command stops. For the cycle operation, after the end-stage completes, the command starts from the start-stage and only stop until user stops the operation. Furthermore, you can set the waiting time between the stages.

For random operation pattern, you can select the state to be executed via DI terminal input signal or communication setting. When select stage number via DI terminal, up to 4 DI terminals can be selected and DI terminals 6, 7, 8, 9 can be configured. For details, refer to Table 6-1. The shaded cells in the table indicates that the corresponding DI terminal input signal is valid. The cells without shade indicates the corresponding input signal is invalid.

The operation process of internal position control is shown in Figure 6-6. Notes: When using the internal position control, after the servo ON, it is necessary to input internal multi-stage position signal (DI function 25) via DI to give the enable position instruction.

Table 6-1 Stage No. of internal multi- stage position DI switchover (the DI input in valid at the shaded area)

Stage No.	1	2	3	4	5	6	7	8	9	10	11	12	13	14	15	16
DI function 6																
DI function 7																
DI function 8																
DI function 9																

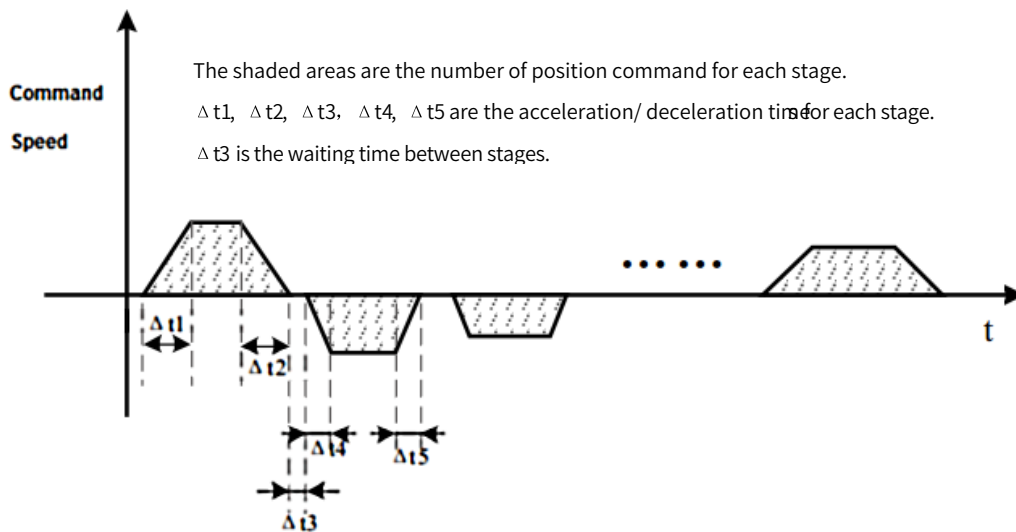


Figure 6-5 internal position control operation diagram

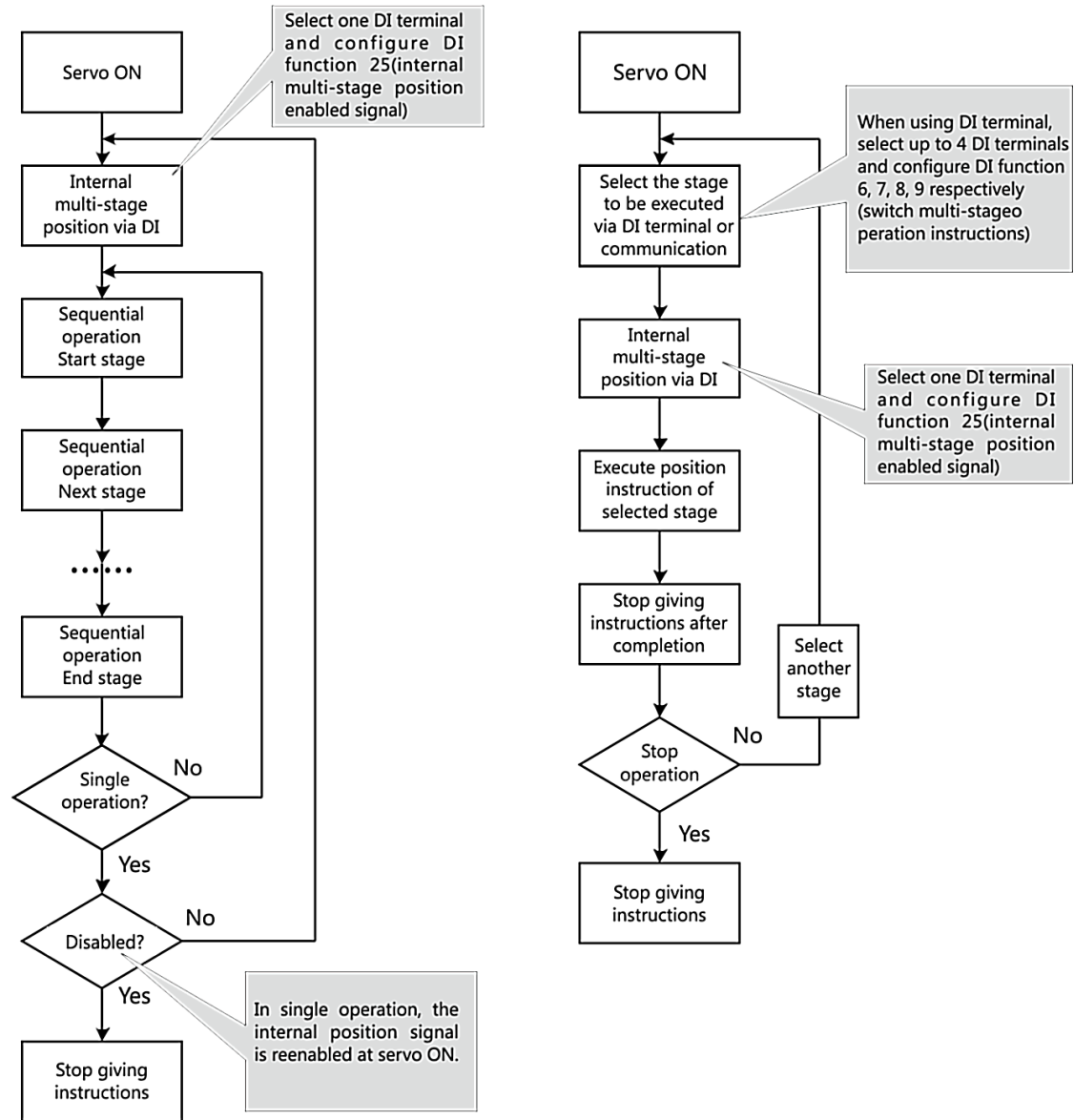


Figure 6-6 Operation process of internal multi-stage position instruction (Sequential operation is on the left-side and random operation on the right-side)

2. Parameters

Set the following parameters when using internal position control. For details, refer to Table 6-2 and 6-3.

Table 6-2 Parameters for internal multi-stage position instructions

P08.00	Internal position execution pattern selection	0: Single operation 1: Cycle operation 2: DI terminal switchover operation 3: Communication switchover operation 4: Single continuous operation 5: Cycle continuous operation
P08.01	Starting stage number	The value of P08.01 should be less than P08.02. When P08.01 cannot be greater, change the P08.02 to the maximum expected value, and then modify P08.01.
P08.02	Ending stage number	The value of P08.02 should be greater than P08.01.

P08.03	Restarting pattern of residual stages after pausing	0: Finish the residual stages 1: Operate from the start stage again
P08.04	Position instruction type selection	0: Relative position instruction 1: Absolute position instruction
P08.05	Unit for waiting time	0: ms 1: s
P08.06	Internal position control 1 st stage length (32-bit)	Unit: user command unit.
P08.08	Internal position control 1 st stage max speed	Unit: RPM
P08.09	Internal position control 1 st stage acceleration/deceleration time	Unit: ms
P08.10	Waiting time after internal position control 1 st stage completed	The unit is decided by P08.05.

The parameters of P08.06 to P08.10 are the number of position instruction pulse, operation speed, acceleration/deceleration time and waiting time after completion for the 1st stage. The other stages are similar to the 1st stage.

Table 6-3 DI DO function of internal position control

DI function 25	Internal multi-stage position instruction enabling signal, must be configured.
DI function 6	Switch 16 stages command and must be configured when P08.00 is set to 2.
DI function 7	DI function 6, 7, 8 and 9 are respectively composed of 4-bit binary Bit0 to Bit3. The binary is 1 when DI function is valid; the binary is 0 when DI function is invalid. Correspondingly, 4-bit binary 0000~1111 corresponds to 1 st stage to 16 th stage respectively.
DI function 8	
DI function 9	

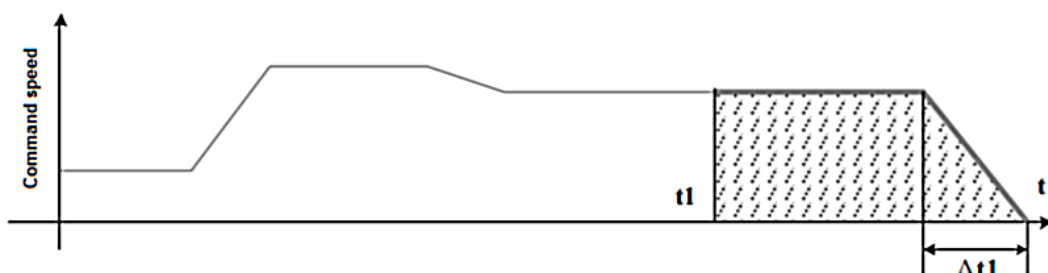
6.4.2 Interrupt positioning

Outline:

Interrupt positioning is also a type of internal position control. In position control mode, you can interrupt the position instruction that is being executed (external pulse instruction or internal position control) at any time and execute the position instruction specified by user. For details, refer to Figure 6-7.

The thin line in the following figure represents the position instruction that is being executing. Interrupt positioning triggers when reached t_1 . The bold line represents the execution of interrupt positioning command. The shaded area is the position instruction length of interrupt positioning.

$\Delta t_1, \Delta t_2, \Delta t_3, \Delta t_4$ are the acceleration/deceleration time of interrupt positioning.



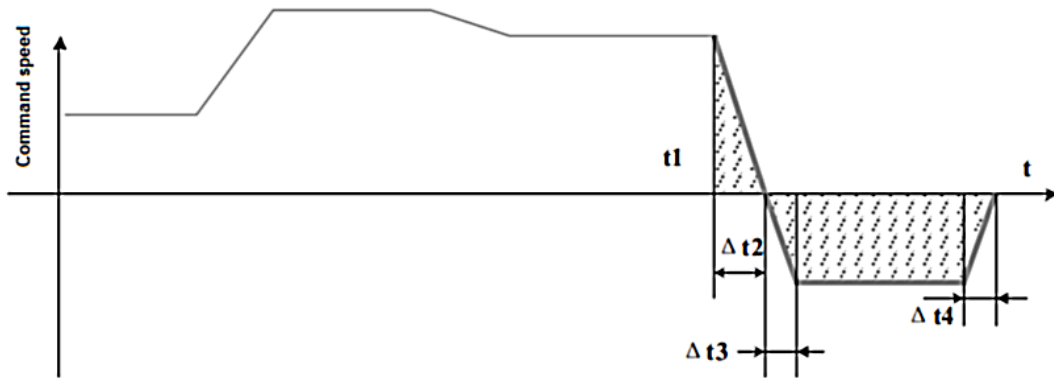


Figure 6-7 Operation of interrupt positioning command

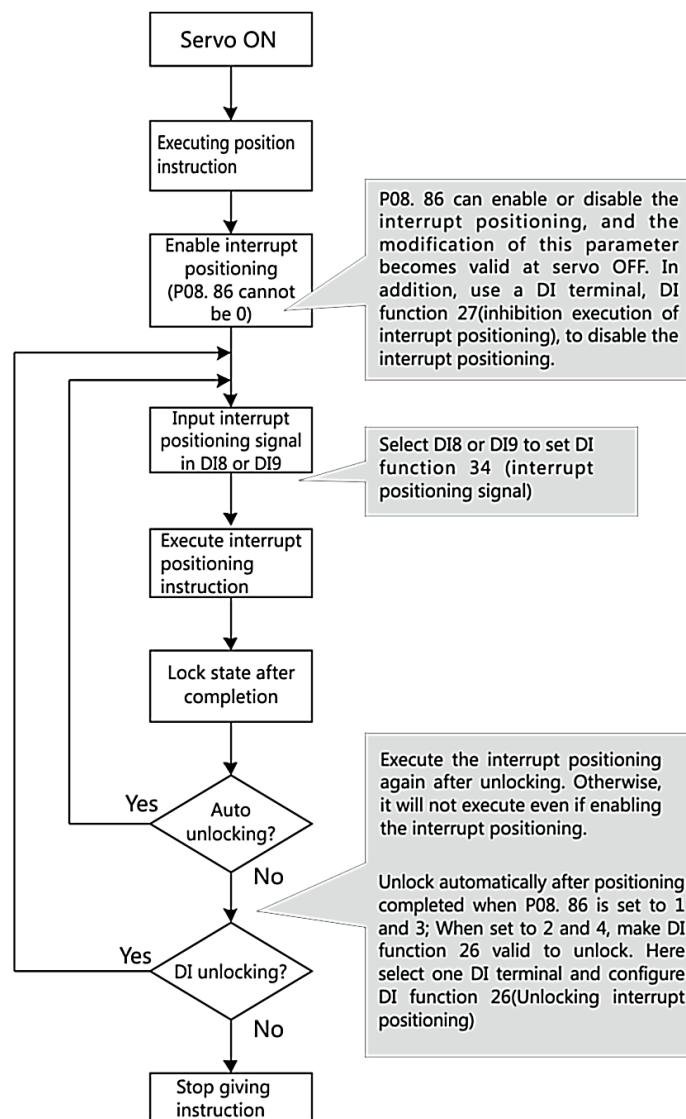


Figure 6-8 Operation of interrupt positioning

Set the following parameters and DI terminal when using interrupt positioning. If necessary, there are two DO function outputs that can be used to monitor the process of the interrupt positioning. For the parameters of position instruction counts and acceleration/ deceleration of interrupt positioning, 16th stage command of internal position control, refer to

Table 6-4 and 6-5. For the operation process, refer to Figure 6-8.

Table 6-4 Parameters of interrupt positioning

P08.81	Internal position control 16 th stage length (32-bit)	Unit: User defines. Set the command length of interrupt positioning.
P08.83	Internal position control 16 th stage max speed	Unit; RPM, Set the operation speed at interrupt positioning.
P08.84	Internal position control 16 th stage acceleration/deceleration time	Unit: ms. Set the acceleration/deceleration time of interrupt positioning.
P08.86	Interrupt positioning setting	0: Disable interrupt positioning function; 1: Enable, interrupt at DI signal rising edge and release the interrupt automatically after completion. 2: Enable, interrupt at DI signal rising edge and release the interrupt via DI signal INTP_ULK (DI function 26). 3: Enable, interrupt at DI signal falling edge and release the interrupt automatically after completion. 4: Enable, interrupt at DI signal falling edge and release the interrupt via DI signal INTP_ULK (DI function 26).
P04.08	DI 8 function setting	The trigger signal for interrupt positioning can only be enabled via DI 8.

Table 6-5 DI DO function of interrupt positioning

DI function 34	Enable interrupt positioning and must be configured to DI8 or DI9
DI function 26	Unlock interrupt positioning. When P08.86 is set to 2 or 4, it can be configured to any DI terminal.
DI function 27	Prohibit interrupt positioning at any time, optional, can be configured to any DI terminal.
DO function 15	Valid when interrupt positioning complete, optional, can be configured to any DO terminal.
DO function 18	Valid when executing interrupt positioning, optional, can be configured to any DO terminal.

Interrupt operation direction description:

1) Set the second digit of P07.16 from the right side to 0: Follow the current operation direction

Current operation direction	Interrupt position instruction increment	Interrupt operation direction
Positive	Negative	Negative
Positive	Positive	Positive
Negative	Positive	Negative
Negative	Negative	Positive

2) Set the second digit of P07.16 from the right side to 1: Decided by sign of instruction value

Current operation direction	Interrupt position instruction increment	Interrupt operation direction
Positive	Negative	Negative
Positive	Positive	Positive
Negative	Positive	Negative
Negative	Negative	Positive

When position instruction is 0, the interrupt operation direction is the interrupt position instruction increment direction.

6.4.3 Homing operation

1. Description

The servo drive has built-in homing function and supports multiple homing types. Homing can be realized independently and can also be achieved with upper controllers.

Take the limit position as the origin point, please refer to Figure 6-9. Based on the actual needs, you can choose whether to find Z-phase signal, which can help realize different ways of homing.

For the situation with origin point sensor, refer to Figure 6-10. Here are some selections: The positive search and negative search at the start position will make the difference; For the home position sensor signal, using the rising edge or the falling edge will also lead to a different home position; In addition, you should set whether to use the Z-phase pulse signal, and the direction of the Z-phase pulse signal search (After finding home position sensor signal, finding Z-phase pulse signal forward or backward will also lead to a different home position).

When using Z-phase pulses, different directions to find Z-phase pulses will find different home position. For details, refer to Figure 6-11.

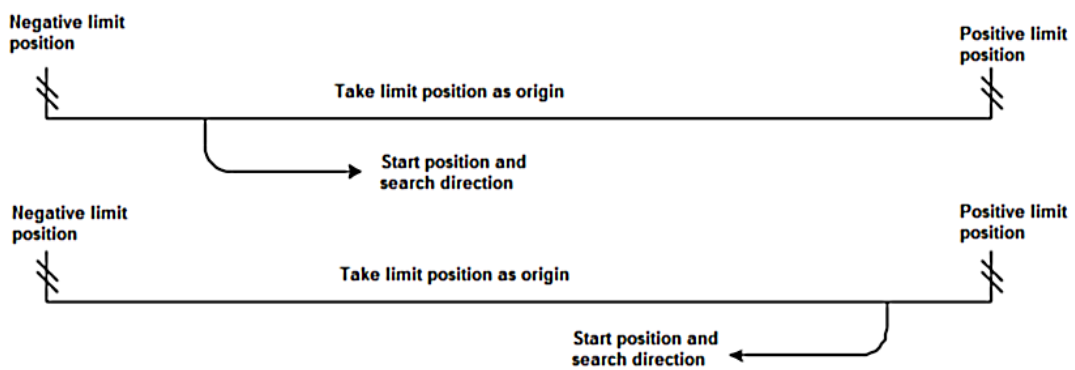


Figure 6-9 Take limit position as origin

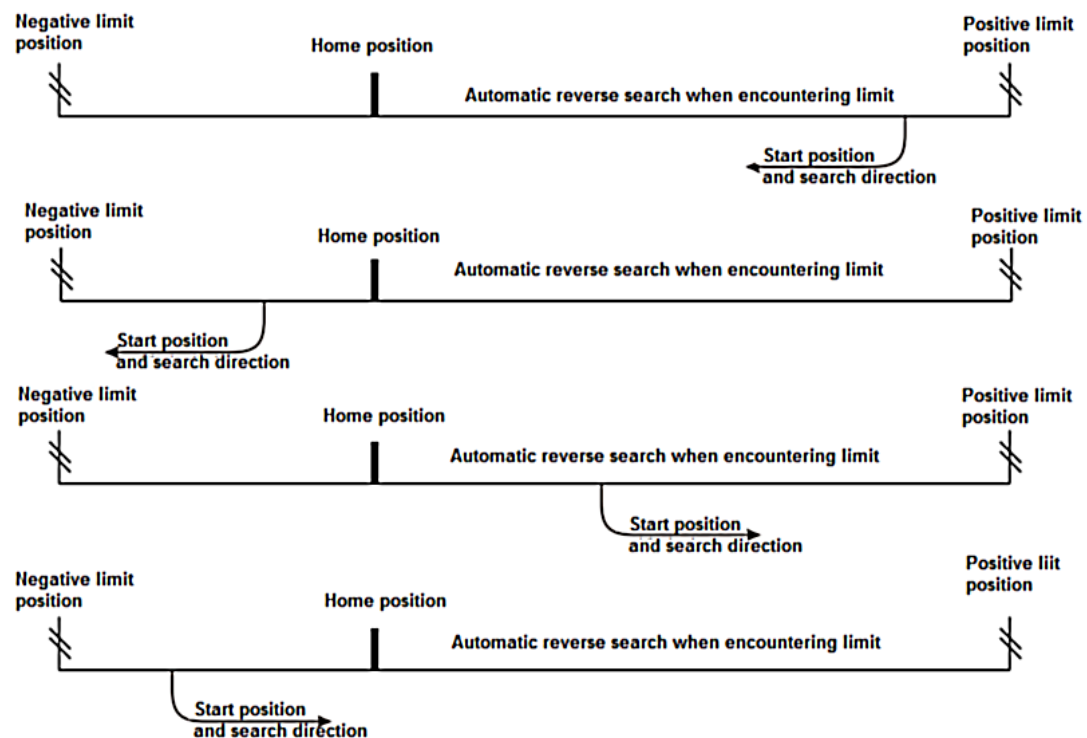


Figure 6-10 With home position sensor

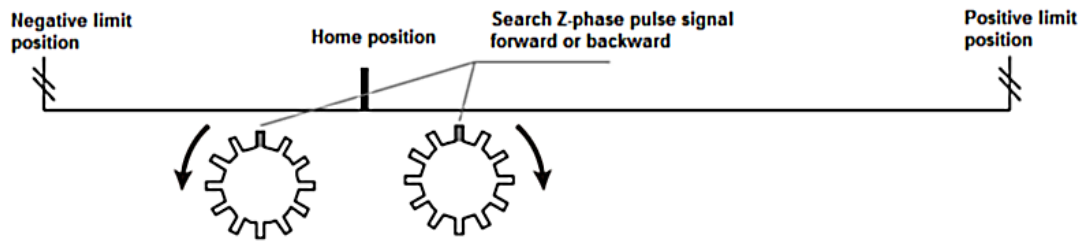


Figure 6-11 Search Z-phase pulse signal forward or backward

2. Parameters

Table 6-6 related parameters for home position return

P08.88	Homing start modes	0: OFF 1: Start by STHOME via DI function 2: Start by operation panel 3: Start by communication 4: Immediate start at first servo ON
P08.89	Homing modes	0: Forward origin search, take positive limit as origin 1: Backward origin search, take negative limit as origin 2: Forward origin search, take HOME_I N signal OFF→ON as origin 3: Backward origin search, take HOME_I N signal OFF→ON as origin 4: Forward origin search, take HOME_I N signal ON→OFF as origin 5: Backward origin search, take HOME_I N signal ON→OFF as origin 6: Forward, find the nearest Z-phase signal as origin 7: Backward, find the nearest Z-phase signal as origin 8: Take the present position as origin
P08.90	Limit switch and Z-phase signal setting at homing	0: Reverse to find Z-phase signal after contacting limit switch; 1: Forward to find Z-phase signal after contacting limit switch; 2: Not find Z-phase signal after contacting limit switch; 3: Stop & output alarm after contacting limit switch, reverse to find Z-phase signal 4: Stop & output alarm after contacting limit switch, forward to find Z-phase signal 5: Stop & output alarm after contacting limit switch, not to find Z-phase signal Note: For contacting limit switch, if the homing modes is set to 0 to 1, no alarm or stop even though this parameter is set to 3, 4 or 5. If homing modes is set to 0 to 1, find Z-phase signal after contacting limit switch; If homing modes is set to 2 to 5, find Z-phase signal after contacting HOME_IN signal.
P08.92	Origin search high speed	Start with this speed when homing starts
P08.93	Origin search low speed	Switch to low speed after contacting origin point or deceleration point
P08.94	Acceleration/deceleration time at origin search	Set the acceleration/deceleration time at the start/ stop of origin search. Unit: ms.
P08.95	Homing time limit	Limit the longest time of homing. If origin point is still not found after the time set in P08.95, AL.96 occurs and operation stops.

P08.96	Origin point coordinate offset	The absolute position counter will be cleared after finding the origin point or set the absolute position counter to the value of this parameter.
P08.98	Mechanical origin point offset	System can move further in the distance set in this parameter after origin point is found.

Table 6-7 Related DI DO functions at home position return

DI function 29	Homing start, must be set and can be configured to any DI terminal
DI function 28	Origin point signal, when P08.89= 2, 3, 4, 5, must be set and can be configured to any DI terminal
DI function 33	Deceleration point sensor signal, optional, but it is not necessary in most occasions.
DO function 17	Homing completion signal and can be configured to any DO terminal.

7. Parameters

7.1 List of parameters

Control modes:

● means applicable

P: position control

- means not applicable

S: speed control

T: torque control

Parameter number	Description	Control mode			
		P	S	T	
P00 Group Basic Parameters	00	Motor positive direction definition	●	●	●
	01	Control mode selection	●	●	●
	02	Real time auto-tuning	●	●	●
	03	Stiffness grade setting	●	●	●
	04	Load inertia ratio	●	●	●
	05	Position instruction source	●	●	●
	07	Pulse train form	●	-	-
	08	Instruction units per motor one revolution (32-bit)	●	-	-
	10	Electronic gear numerator 1 (32-bit)	●	-	-
	12	Electronic gear denominator (32-bit)	●	-	-
	14	Pulse output counts per motor one revolution (32-bit)	●	-	-
	16	Pulse output positive direction definition	●	●	●
	17	Pulse output OZ polarity	●	-	-
	18	Pulse output function selection	●	-	-
	19	Position deviation too large threshold	●	●	●
21	Regenerative resistor setting	●	●	●	

	22	External regenerative resistor capacity	●	●	●
	23	External regenerative resistor resistance value	●	●	●
	24	External regenerative resistor heating time constant	●	●	●
	25	Regenerative voltage threshold	●	●	●
	26	Step value setting	●	-	-
	27	High pulse train form	●	-	-

Parameter number	Description	Control mode			
		P	S	T	
P01 Group Gain Tuning Parameters	00	Position loop gain 1	●	-	-
	01	Speed loop gain 1	●	●	-
	02	Speed loop integral time 1	●	●	-
	03	Speed detection filter 1	●	●	●
	04	Torque instruction filter 1	●	●	●
	05	Position loop gain 2	●	-	-
	06	Speed loop gain 2	●	●	-
	07	Speed loop integral time 2	●	●	-
	08	Speed detection filter 2	●	●	●
	09	Torque instruction filter 2	●	●	●
	10	Speed regulator PDFF coefficient	●	●	-
	11	Speed feedforward control selection	●	-	-
	12	Speed feedforward gain	●	-	-
	13	Speed feedforward filtering time	●	-	-
	14	Torque feedforward control selection	●	●	-
	15	Torque feedforward gain	●	●	-
	16	Torque feedforward filtering time	●	●	-
	17	Digital input GAIN_SWITCH function selection	●	●	-
	18	Position control gain switchover mode	●	●	-
	19	Position control gain switchover delay	●	-	-
	20	Position control gain switchover class	●	-	-
	21	Position control gain switchover hysteresis	●	-	-
	22	Position control gain switchover time	●	-	-
	23	Speed control gain switchover mode	-	●	-
	24	Speed control gain switchover delay	-	●	-
	25	Speed control gain switchover class	-	●	-
	26	Speed control gain switchover hysteresis	-	●	-
	27	Torque control gain switchover mode	-	-	●
	28	Torque control gain switchover delay	-	-	●
	29	Torque control gain switchover class	-	-	●
30	Torque control gain switchover hysteresis	-	-	●	

	31	Observer enable	●	●	●
	32	Observer cutoff frequency	●	●	●
	33	Observer phase compensation time	●	●	●
	34	Observer inertia coefficient	●	●	●

Parameter number	Description	Control mode			
		P	S	T	
P02 Group Vibration Suppression Parameters	00	Position instruction smoothing filter	●	-	-
	01	Position instruction FIR filter	●	-	-
	02	Adaptive filtering mode	●	●	●
	03	Adaptive filtering loads	●	●	●
	04	First notch filter frequency (manual)	●	●	●
	05	First notch filter width	●	●	●
	06	First notch filter depth	●	●	●
	07	Second notch filter frequency (manual)	●	●	●
	08	Second notch filter width	●	●	●
	09	Second notch filter depth	●	●	●
	10	Third notch filter frequency	●	●	●
	11	Third notch filter width	●	●	●
	12	Third notch filter depth	●	●	●
	13	Fourth notch filter frequency	●	●	●
	14	Fourth notch filter width	●	●	●
	15	Fourth notch filter depth	●	●	●
	19	Position instruction FIR filter 2	●	-	-
	20	First vibration attenuation frequency	●	●	-
	21	First vibration attenuation filter setting	●	●	-
	22	Second vibration attenuation frequency	●	●	-
	23	Second vibration attenuation filter setting	●	●	-
	31	Resonance point 1 frequency	●	●	●
	32	Resonance point 1 bandwidth	●	●	●
	33	Resonance point 1 amplitude	●	●	●
34	Resonance point 2 frequency	●	●	●	
35	Resonance point 2 bandwidth	●	●	●	
36	Resonance point 2 amplitude	●	●	●	

Parameter number	Description	Control mode			
		P	S	T	
P03 Group Speed &	00	Speed instruction source selection	-	●	-
	03	Speed instruction digital setting	-	●	-
	04	JOG speed setting	-	●	-

08	Torque limit source	●	●	-
09	Internal forward torque limit	●	●	-
10	Internal reverse torque limit	●	●	-
11	External forward torque limit	●	●	-
12	External reverse torque limit	●	●	-
14	Acceleration time 1	-	●	●
15	Deceleration time 1	-	●	●
16	Acceleration time 2	-	●	-
17	Deceleration time 2	-	●	-
19	Zero-speed clamp function	-	●	●
20	Zero-speed clamp threshold value	-	●	●
22	Torque instruction source	-	-	●
25	Torque instruction digital setting value	-	-	●
26	Speed limit source in torque control	-	-	●
27	Internal positive speed limit	-	-	●
28	Internal negative speed limit	-	-	●
29	Hard limit torque limit	●	-	-
30	Hard limit torque limit detection time	●	-	-
31	Internal speed instruction segment number selection mode	-	●	-
32	Acceleration time selection for internal speed segment 1-8	-	●	-
33	Deceleration time selection for internal speed segment 1-8	-	●	-
34	Acceleration time selection for internal speed segment 9-16	-	●	-
35	Deceleration time selection for internal speed segment 9-16	-	●	-
36	Segment 1 speed	-	●	-
37	Segment 2 speed	-	●	-
38	Segment 3 speed	-	●	-
39	Segment 4 speed	-	●	-
40	Segment 5 speed	-	●	-
41	Segment 6 speed	-	●	-
42	Segment 7 speed	-	●	-
43	Segment 8 speed	-	●	-
44	Segment 9 speed	-	●	-
45	Segment 10 speed	-	●	-
46	Segment 11 speed	-	●	-
47	Segment 12 speed	-	●	-
48	Segment 13 speed	-	●	-
49	Segment 14 speed	-	●	-
50	Segment 15 speed	-	●	-
51	Segment 16 speed	-	●	-

Parameter	Description	Control mode
-----------	-------------	--------------

number		P	S	T	
P04 Group Digital Input/output Parameters	00	Normal DI filter selection	●	●	●
	01	DI1 terminal function selection	●	●	●
	02	DI2 terminal function selection	●	●	●
	03	DI3 terminal function selection	●	●	●
	04	DI4 terminal function selection	●	●	●
	05	DI5 terminal function selection	●	●	●
	06	DI6 terminal function selection	●	●	●
	07	DI7 terminal function selection	●	●	●
	08	DI8 terminal function selection	●	●	●
	11	DI1 terminal logic selection	●	●	●
	12	DI2 terminal logic selection	●	●	●
	13	DI3 terminal logic selection	●	●	●
	14	DI4 terminal logic selection	●	●	●
	15	DI5 terminal logic selection	●	●	●
	16	DI6 terminal logic selection	●	●	●
	17	DI7 terminal logic selection	●	●	●
	18	DI8 terminal logic selection	●	●	●
	21	DO1 terminal function selection	●	●	●
	22	DO2 terminal function selection	●	●	●
	23	DO3 terminal function selection	●	●	●
	24	DO4 terminal function selection	●	●	●
	25	DO5 terminal function selection	●	●	●
	31	DO1 terminal logic selection	●	●	●
	32	DO2 terminal logic selection	●	●	●
	33	DO3 terminal logic selection	●	●	●
	34	DO4 terminal logic selection	●	●	●
	35	DO5 terminal logic selection	●	●	●
	41	FUNINL signal unassigned state (Hex)	●	●	●
	42	FUNINH signal unassigned state (Hex)	●	●	●
	43	Motor rotational signal (TGON) threshold	●	●	●
	44	Speed conformity signal (V_CMP) width	-	●	-
	45	Speed reached signal (V_ARR) width	●	●	●
47	Positioning completion (COIN) threshold	●	-	-	
48	Positioning completion output setting	●	-	-	
49	Positioning completion holding time	●	-	-	
50	Positioning near (NEAR) threshold	●	-	-	
51	Servo OFF delay time after holding brake taking action when speed is 0	●	●	●	
52	Speed setting for holding brake to take action in motion	●	●	●	
53	Waiting time for holding brake to take action in motion	●	●	●	
55	Torque reached (T_ARR) threshold	●	●	●	
56	Torque reached signal width	●	●	●	

	57	Z-phase pulse width adjustment	●	●	●
	58	Zero-speed output threshold	●	●	●

Parameter number	Description	Control mode			
		P	S	T	
P06 Group Expansion Parameters	00	Electronic gear numerator 2(32-bit)	●	-	-
	02	Electronic gear numerator 3(32-bit)	●	-	-
	04	Electronic gear numerator 4(32-bit)	●	-	-
	06	Position deviation clearance function	●	-	-
	09	Electronic gear ratio switchover delay	●	-	-
	10	Potential energy load torque compensation	●	●	-
	11	P06.10 memory selections	●	●	-
	12	Forward friction torque compensation	●	●	-
	13	Reverse friction torque compensation	●	●	-
	14	Viscous friction compensation	●	●	-
	15	Friction compensation time constant	●	●	-
	16	Friction compensation low-speed zone	●	●	-
	19	Parameter identification rate	●	●	-
	20	Parameter identification acceleration time	●	●	-
	21	Parameter identification deceleration time	●	●	-
	22	Parameter identification mode selection	●	●	-
	23	Initial angle identification current limit	●	●	●
	24	Instantaneous power failure protection	●	●	●
	25	Instantaneous power failure deceleration time	●	●	●
	26	Servo OFF stop mode selection	●	●	●
	27	Second category fault stop mode selection	●	●	●
	28	Over-travel input setting	●	●	●
	29	Over-travel stop mode selection	●	●	●
	30	Input power phase loss protection	●	●	●
	31	Output power phase loss protection	●	●	●
	32	Emergency stop torque	●	●	●
	33	Tripping protection function	●	●	●
	34	Overload warning value	●	●	●
	35	Motor overload protection coefficient	●	●	●
	36	Undervoltage protection point	●	●	●
	37	Over-speed error point	●	●	●
	38	Maximum input pulse frequency	●	-	-
	39	Short circuit to ground detection protection selection	●	●	●
	40	Encoder interference detection delay	●	●	●
41	Input pulse filtering setting	●	-	-	
42	Input pulse inhibition setting	●	-	-	

	43	Deviation clearance input setting	●	-	-
	44	High speed DI filtering setting	●	●	●
	45	Speed deviation too large threshold	●	●	-
	46	Torque saturation overtime setting	●	●	●
	47	Absolute system setting	●	●	●
	48	Encoder battery undervoltage threshold	●	●	●
	49	High pulse input filter	●	●	●

Parameter number	Description	Control mode			
		P	S	T	
P07 Group Auxiliary function Parameters	00	Panel display selection	●	●	●
	01	Panel monitoring parameter setting 1	●	●	●
	02	Panel monitoring parameter setting 2	●	●	●
	03	Panel monitoring parameter setting 3	●	●	●
	04	Panel monitoring parameter setting 4	●	●	●
	05	Panel monitoring parameter setting 5	●	●	●
	08	Function selection 1	●	●	●
	09	Function selection 2	●	●	●
	10	User password	●	●	●
	11	Instant power failure immediate memory function	●	●	●
	12	User password screen-lock time	●	●	●
	14	Fast deceleration time	●	●	●
	16	Function selection 3	●	●	●
	17	Maximum division number pre motor one revolution	●	-	-
	19	Function selection 5	●	●	●
	20	Function selection 6	●	●	●
	21	Function selection 7	●	●	●
	22	Function selection 8	●	●	●
	23	Alarm reset time	●	●	●
24	Positive soft-limit(32-bit)	●	●	●	
26	Negative soft-limit(32-bit)	●	●	●	

Parameter number	Description	Control mode			
		P	S	T	
P08 Group Internal Position Control Parameters	00	Internal position execution pattern selection	●	-	-
	01	Starting stage number	●	-	-
	02	Ending stage number	●	-	-
	03	Restarting pattern of residual stags after pausing	●	-	-
	04	Position instruction type selection	●	-	-
	05	Unit for waiting time	●	-	-
	06	Internal position control 1 st stage length (32-bit)	●	-	-

08	Internal position control 1 st stage max speed	●	-	-
09	Internal position control 1 st stage acceleration/deceleration time	●	-	-
10	Waiting time after internal position control 1 st stage completed	●	-	-
11	Internal position control 2 nd stage length (32-bit)	●	-	-
13	Internal position control 2 nd stage max speed	●	-	-
14	Internal position control 2 nd stage acceleration/deceleration time	●	-	-
15	Waiting time after internal position control 2 nd stage completed	●	-	-
16	Internal position control 2 nd stage length (32-bit)	●	-	-
18	Internal position control 3 rd stage max speed	●	-	-
19	Internal position control 3 rd stage acceleration/deceleration time	●	-	-
20	Waiting time after internal position control 3 rd stage completed	●	-	-
21	Internal position control 4 th stage length (32-bit)	●	-	-
23	Internal position control 4 th stage max speed	●	-	-
24	Internal position control 4 th stage acceleration/deceleration time	●	-	-
25	Waiting time after internal position control 4 th stage completed	●	-	-
26	Internal position control 5 th stage length (32-bit)	●	-	-
28	Internal position control 5 th stage max speed	●	-	-
29	Internal position control 5 th stage acceleration/deceleration time	●	-	-
30	Waiting time after internal position control 5 th stage completed	●	-	-
31	Internal position control 6 th stage length (32-bit)	●	-	-
33	Internal position control 6 th stage max speed	●	-	-
34	Internal position control 6 th stage acceleration/deceleration time	●	-	-
35	Waiting time after internal position control 6 th stage completed	●	-	-
36	Internal position control 7 th stage length (32-bit)	●	-	-
38	Internal position control 7 th stage max speed	●	-	-
39	Internal position control 7 th stage acceleration/deceleration time	●	-	-
40	Waiting time after internal position control 7 th stage completed	●	-	-
41	Internal position control 8 th stage length (32-bit)	●	-	-
43	Internal position control 8 th stage max speed	●	-	-
44	Internal position control 8 th stage acceleration/deceleration time	●	-	-
45	Waiting time after internal position control 8 th stage completed	●	-	-
46	Internal position control 9 th stage length (32-bit)	●	-	-
48	Internal position control 9 th stage max speed	●	-	-
49	Internal position control 9 th stage acceleration/deceleration time	●	-	-
50	Waiting time after internal position control 9 th stage completed	●	-	-
51	Internal position control 10 th stage length (32-bit)	●	-	-
53	Internal position control 10 th stage max speed	●	-	-
54	Internal position control 10 th stage acceleration/deceleration time	●	-	-
55	Waiting time after internal position control 10 th stage completed	●	-	-
56	Internal position control 11 th stage length (32-bit)	●	-	-
58	Internal position control 11 th stage max speed	●	-	-
59	Internal position control 11 th stage acceleration/deceleration time	●	-	-

60	Waiting time after internal position control 11 th stage completed	●	-	-
61	Internal position control 12 th stage length (32-bit)	●	-	-
63	Internal position control 12 th stage max speed	●	-	-
64	Internal position control 12 th stage acceleration/deceleration time	●	-	-
65	Waiting time after internal position control 12 th stage completed	●	-	-
66	Internal position control 13 th stage length (32-bit)	●	-	-
68	Internal position control 13 th stage max speed	●	-	-
69	Internal position control 13 th stage acceleration/deceleration time	●	-	-
70	Waiting time after internal position control 13 th stage completed	●	-	-
71	Internal position control 14 th stage length (32-bit)	●	-	-
73	Internal position control 14 th stage max speed	●	-	-
74	Internal position control 14 th stage acceleration/deceleration time	●	-	-
75	Waiting time after internal position control 14 th stage completed	●	-	-
76	Internal position control 15 th stage length (32-bit)	●	-	-
78	Internal position control 15 th stage max speed	●	-	-
79	Internal position control 15 th stage acceleration/deceleration time	●	-	-
80	Waiting time after internal position control 15 th stage completed	●	-	-
81	Internal position control 16 th stage length (32-bit)	●	-	-
83	Internal position control 16 th stage max speed	●	-	-
84	Internal position control 16 th stage acceleration/deceleration time	●	-	-
85	Waiting time after internal position control 16 th stage completed	●	-	-
86	Interrupt positioning setting	●	-	-
88	Homing start modes	●	-	-
89	Homing modes	●	-	-
90	Limit switch and Z-phase signal setting at homing	●	-	-
92	Origin search high speed	●	-	-
93	Origin search low speed	●	-	-
94	Acceleration/deceleration time at origin search	●	-	-
95	Homing time limit	●	-	-
96	Origin point coordinate offset (32-bit)	●	-	-
98	Mechanical origin point offset (32-bit)	●	-	-

Parameter number	Description	Control mode			
		P	S	T	
P09 Group Communication Setting Parameters	00	Modbus axis address	●	●	●
	01	Modbus baud rate	●	●	●
	02	Modbus data format	●	●	●
	03	Communication overtime	●	●	●
	04	Communication response delay	●	●	●
	05	Communication DI enabling setting 1	●	●	●
	06	Communication DI enabling setting 2	●	●	●
	07	Communication DI enabling setting 3	●	●	●

	08	Communication DI enabling setting 4	●	●	●
	09	Communication DO enabling setting 1	●	●	●
	10	Communication DO enabling setting 2	●	●	●
	11	Communication instruction holding time	●	●	●
	12	Enable AO function or CAN communication	●	●	●
	13	CAN communication configuration 1	●	●	●
	14	CAN communication configuration 2	●	●	●
	15	CAN communication configuration 3	●	●	●
	16	EtherCAT disconnection detection	●	●	●

Parameter number		Description	Control mode		
			P	S	T
P17 Group Expansion position control function	16	Position comparison output mode	●	-	-
	17	First position(32-bit)	●	-	-
	19	2 nd position(32-bit)	●	-	-
	21	3 rd position(32-bit)	●	-	-
	23	4 th position(32-bit)	●	-	-
	25	Effective time 1	●	-	-
	26	Effective time 2	●	-	-
	27	Effective time 3	●	-	-
	28	Effective time 4	●	-	-
	29	Display delay	●	-	-

Parameter number		Description	Control mode		
			P	S	T
P18 Group Motor Parameters	00	Motor model code	●	●	●

Parameter number		Description	Control mode		
			P	S	T
P20 Group Panel and Communication Interface	00	Panel JOG	●	●	●
	01	Fault reset	●	●	●
	03	Parameter identification function	●	●	●
	06	System initialization function	●	●	●
	08	Communication operation instruction input	●	●	●
	09	Communication operation status output	●	●	●
	11	Multi-stage operation selection by communication	●	●	●
	12	Homing start by communication	●	-	-

Parameter number	Description	Control mode			
		P	S	T	
P21 Group Monitoring Parameters	00	Servo status	●	●	●
	01	Motor speed feedback	●	●	●
	03	Speed instruction	●	●	●
	04	Internal torque instruction (relative to rated torque)	●	●	●
	05	Phase current effective value	●	●	●
	06	DC bus voltage	●	●	●
	07	Absolute position counter (32-bit)	●	●	●
	09	Electrical angle	●	●	●
	10	Mechanical angle (relative to encoder zero point)	●	●	●
	11	Load inertia identification value	●	●	●
	12	Speed value relative to input instruction	●	●	●
	13	Position deviation counter (32-bit)	●	●	●
	15	Input pulse counter (32-bit)	●	●	●
	17	Feedback pulse counter (32-bit)	●	●	●
	19	Position instruction deviation counter unit (32-bit)	●	●	●
	21	Digital input signal monitoring	●	●	●
	23	Digital output signal monitoring	●	●	●
	24	Encoder status	●	●	●
	25	Total power-on time	●	●	●
	31	Module temperature	●	●	●
	32	Number of turns of absolute encoder (32-bit)	●	●	●
	34	Single turn position of absolute encoder (32-bit)	●	●	●
	36	Version code 1	●	●	●
	37	Version code 2	●	●	●
	38	Version code 3	●	●	●
	39	Product series code	●	●	●
	40	Fault record display	●	●	●
	41	Fault code	●	●	●
	42	Time stamp upon selected fault (32-bit)	●	●	●
	44	Motor speed upon selected fault	●	●	●
	45	U-phase current upon selected fault	●	●	●
	47	DC bus voltage upon selected fault	●	●	●
48	Input terminal status upon selected fault	●	●	●	
49	Output terminal status upon selected fault	●	●	●	
50	Customized software version No.	●	●	●	
51	Accumulative load ratio	●	●	●	
52	Regenerative load ratio	●	●	●	
53	Internal warning code	●	●	●	
54	Internal instruction present stage code	●	●	●	
55	Customized serial code	●	●	●	

	56	High 32 place of absolute position counter (32-bit)	●	●	●
	58	High 32 place of feedback pulse counter (32-bit)	●	●	●

7.2 Parameter descriptions

- P00 Group Basic Parameters**

P00.00	Motor positive direction definition	Range	Default	Unit	Effective	Control Mode		
		0~1	0	-	Restart	P	S	T

This parameter is to set the relation between instruction direction and motor rotational direction:

0: When the instruction is positive, motor rotational direction is CCW (counterclockwise from facing the motor shaft)

1: When the instruction is positive, motor rotational direction is CW (clockwise from facing the motor shaft)

P00.01	Control mode selection	Range	Default	Unit	Effective	Control Mode		
		0~7	0	-	Restart	P	S	T

0: Position control mode;

1: Speed control mode;

2: Torque control mode;

3: Position/Speed control gain switchover;

4: Position/Torque control gain switchover;

5: Speed/Torque control gain switchover;

6: Fully closed-loop control mode(reserved)

7:CANOpen mode

When selecting 3~5, use MODE_SEL of DI to switchover. When MODE_SEL is 0 the control mode is the 1st mode; when 1, the 2nd one. When using CANOpen or Ether CAT communication, the control mode is the 7th one.

P00.02	Real time auto-tuning	Range	Default	Unit	Effective	Control Mode		
		0~3	1	-	Immediate	P	S	T

0: Real time auto-tuning is invalid;

1: Standard auto-tuning without gain switchover;

2: Positioning mode with gain switchover, suitable for position control;

3: Load characteristics dynamic detection,

P00.03	Stiffness grade setting	Range	Default	Unit	Effective	Control Mode		
		0~31	12	-	Immediate	P	S	T

Set the response while the real-time auto-tuning is valid.

The parameter becomes valid when P00. 02=1 or 2; Invalid when P00. 02=0.

When P00. 02=1, stiffness grade can be changed.

When P00. 02=2, gain switchover is enabled and P01. 18 automatically changes to 10.

The larger this parameters is, the wider the servo control circuit bandwidth is, and the faster response is but this can also cause larger vibrations. Please adjust this parameter from low to high gradually when the instruction is 0.

P00.04	Load inertia ratio	Range	Default	Unit	Effective	Control Mode		
		0~6000	100	0.01	Immediate	P	S	T

This is the ratio of load inertia to motor rotor inertia.

P00.05	Position instruction source	Range	Default	Unit	Effective	Control Mode		
		0~3	0	-	Restart	P	S	T

0: Pulse instruction

1: Step value instruction

2: Internal position control

3: High-speed pulse instruction (including PG models), can receive the external high-speed pulse instruction

P00.07	Pulse train form	Range	Default	Unit	Effective	Control Mode		
		0~5	0	-	Restart	P		

0: Direction + pulse, positive logic (Default)

1: Direction + pulse, negative logic

2: A-phase + B-phase, positive logic

3: A-phase + B-phase, negative logic

4: CW+CCW, positive logic

5: CW+CCW, negative logic

P00.08	Instruction units per motor one revolution (32-bit)	Range	Default	Unit	Effective	Control Mode		
		0~1073741824	10000	1Unit	Restart	P		

This is to set the instruction units (number of pulses) needed for motor one revolution.

When this parameter is 0, electronic gear ratio P00.10 and P00.12 become valid.

P00.10	Electronic gear numerator 1 (32-bit)	Range	Default	Unit	Effective	Control Mode		
		0~1073741824	0	-	Immediate	P		

The condition of this parameter to be functional: P00.08=0.

P00.12	Electronic gear denominator (32-bit)	Range	Default	Unit	Effective	Control Mode		
		1~1073741824	10000	-	Immediate	P		

The condition of this parameter to be functional: P00.08=0.

P00.14	Output pulse counts per motor one revolution (32-bit)	Range	Default	Unit	Effective	Control Mode		
		16~1073741824	2500	1PPR	Restart	P		

The number of OUTA or OUTB per motor one revolution.

P00.16	Pulse output positive direction definition	Range	Default	Unit	Effective	Control Mode		
		0~1	0	-	Restart	P	S	T

0: CCW. When motor rotational direction is CCW, OUTA is before OUTB;

1: CW. When motor rotational direction is CW, OUTA is before OUTB.

P00.17	Pulse output OUT_Z polarity	Range	Default	Unit	Effective	Control Mode		
		0~3	0	-	Restart	P		

0: OUT_Z is high electric level;

1: OUT_Z is low electric level.

2: High accuracy, OUT_Z is high electric level;

3: High accuracy, OUT_Z is low electric level

P00.18	Pulse output function selection	Range	Default	Unit	Effective	Control Mode		
		0~3	0	-	Restart	P		

0: Encoder frequency division output;

1: Pulse instruction synchronous output.

2: Pulse instruction interpolation output(gantry synchronization)

3: External encoder pulse synchronization output

P00.19	Position deviation too large threshold(32-bit)	Range	Default	Unit	Effective	Control Mode		
		1~1073741824	1000000	1P	Immediate	P	S	T

When position deviation exceeds the value of this parameter, Err.043 will output.

P00.21	Regenerative resistor setting	Range	Default	Unit	Effective	Control Mode		
--------	-------------------------------	-------	---------	------	-----------	--------------	--	--

		0~1	0	-	Immediate	P	S	T
--	--	-----	---	---	-----------	---	---	---

0: Use internal regenerative resistor (100s)

1: Use external regenerative resistor and natural cooling (150s) or forced air cooling (200s)

P00.22	External regenerative resistor capacity	Range	Default	Unit	Effective	Control Mode		
		1~65535	100	1W	Immediate	P	S	T

P00.23	External regenerative resistor resistance value	Range	Default	Unit	Effective	Control Mode		
		1~1000	100	1	Immediate	P	S	T

P00.24	External regenerative resistor heating time constant	Range	Default	Unit	Effective	Control Mode		
		1~30000	2000	0.1s	Immediate	P	S	T

P00.25	Regenerative voltage threshold	Range	Default	Unit	Effective	Control Mode		
		0~65535	400	-	Immediate	P	S	T

P00.26	Step value setting	Range	Default	Unit	Effective	Control Mode		
		-9999~9999	50	-	Immediate	P		

P00.27	High-speed pulse form	Range	Default	Unit	Effective	Control Mode		
		0~5	0	-	Immediate	P		

0: Direction + pulse, positive logic (by default)

1: Direction + pulse, negative logic

2: A-phase(pulse) +B-phase(sign), orthogonal pulse, 4 multiplication, positive logic

3: A-phase + B-phase, orthogonal pulse, 4 multiplication, negative logic

4: CW+CCW, positive logic

5: CW+CCW, negative logic

• **P01 Group Gain Tuning Parameters**

P01.00	Position loop gain 1	Range	Default	Unit	Effective	Control Mode		
		10~20000	400	0.1/s	Immediate	P		

The larger this parameters is, the faster position loop response is but this can also cause larger vibrations.

P01.01	Speed loop gain 1	Range	Default	Unit	Effective	Control Mode		
		10~20000	200	0.1Hz	Immediate	P	S	

The larger this parameters is, the faster speed loop response is but this can also cause larger vibrations.

P01.02	Speed loop integral time 1	Range	Default	Unit	Effective	Control Mode		
		15~51200	3000	0.01ms	Immediate	P	S	

The smaller this parameters is, the smaller steady-state deviation is. If set this parameter to 51200, it becomes invalid.

P01.03	Speed detection filter 1	Range	Default	Unit	Effective	Control Mode		
		0~15	0	-	Immediate	P	S	T

The larger this value is, the better vibration suppression effect is; but this will reduce response bandwidth.

P01.04	Torque instruction filter 1	Range	Default	Unit	Effective	Control Mode		
		0~10000	100	0.01ms	Immediate	P	S	T

This parameter is to set first order low-pass filtering time constant of torque instruction and can suppress resonances

caused by mechanical twisting.

P01.05	Position loop gain 2	Range	Default	Unit	Effective	Control Mode		
		10~20000	400	0.1/s	Immediate	P		

The larger this parameters is, the faster position loop response is but this can also cause larger vibrations.

P01.06	Speed loop gain 2	Range	Default	Unit	Effective	Control Mode		
		10~20000	200	0.1Hz	Immediate	P	S	

The larger this parameters is, the faster speed loop response is but this can also cause larger vibrations.

P01.07	Speed loop integral time 2	Range	Default	Unit	Effective	Control Mode		
		15~51200	3000	0.01ms	Immediate	P	S	

The smaller this parameters is, the smaller steady-state deviation is. If set this parameter to 51200, it becomes invalid.

P01.08	Speed detection filter 2	Range	Default	Unit	Effective	Control Mode		
		0~15	0	-	Immediate	P	S	T

The larger this value is, the better vibration suppression effect is; but this will reduce response bandwidth.

P01.09	Torque instruction filter 2	Range	Default	Unit	Effective	Control Mode		
		0~10000	100	0.01ms	Immediate	P	S	T

This parameter is to set first order low-pass filtering time constant of torque instruction and can suppress resonances caused by mechanical twisting.

P01.10	Speed regulator PDFF coefficient	Range	Default	Unit	Effective	Control Mode		
		0~1000	1000	0.1%	Immediate	P	S	

100.0%: PI regulator;

0.0%: PDFF regulator

Medium value: can reduce overshoot but will also reduce speed loop response.

P01.11	Speed feedforward control selection	Range	Default	Unit	Effective	Control Mode		
		0~1	0	-	Restart	P		

0: no speed feedforward

1: internal speed feedforward

P01.12	Speed feedforward gain	Range	Default	Unit	Effective	Control Mode		
		0~1500	300	0.1%	Immediate	P		

This parameter is to set speed feedforward gain in position control mode and can help reduce position deviations in certain speeds.

P01.13	Speed feedforward filtering time	Range	Default	Unit	Effective	Control Mode		
		0~6400	50	0.01ms	Immediate	P		

This parameter is to set speed feedforward filtering time in position control mode.

P01.14	Torque feedforward control selection	Range	Default	Unit	Effective	Control Mode		
		0~2	0	-	Restart	P	S	

0: No torque feedforward

1: Internal torque feedforward

2: Use TFFD as torque feedforward input

P01.15	Torque feedforward gain	Range	Default	Unit	Effective	Control Mode		
		0~1000	0	0.1%	Immediate	P	S	

This parameter can help reduce position deviation during acceleration/deceleration.

P01.16	Torque feedforward filtering time	Range	Default	Unit	Effective	Control Mode		
		0~6400	0	0.01ms	Immediate	P	S	

P01.17	Digital input GAIN_SWITCH function selection	Range	Default	Unit	Effective	Control Mode		
		0~1	0	-	Immediate	P	S	

0: Speed loop regulator P/PI switchover (Group 1 gains applicable)

1: Group 1/Group 2 gains switchover

P01.18	Position control gain switchover mode	Range	Default	Unit	Effective	Control Mode		
		0~10	0	-	Immediate	P		

0: Group 1 gains (fixed): P01.00~P01.04;

1: Group 2 gains (fixed): P01.05~P01.09;

2: Use GAIN_SEL signal to switch between Group 1 and Group 2 gains; or use speed regulator for P/PI switchover;

3: When torque instruction exceeds settings of P01.20 & P01.21, switch to Group 2; otherwise Group 1 after the time set in P01.19. Unit: 0.1%;

4: not applicable to position control mode or fully-closed loop mode;

5: When speed instruction exceeds settings of P01.20 & P01.21, switch to Group 2; otherwise Group 1 after the time set in P01.19. Unit: 1RPM;

6: When position deviation exceeds settings of P01.20 & P01.21, switch to Group 2; otherwise Group 1 after the time set in P01.19. Unit: 1 encoder resolution;

7: When position instruction is not 0, switch to Group 2; when position instruction maintains 0 after the time set in P01.19, switch to Group 1;

8: When positioning is not completed, switch to Group 2; when positioning is completed after the time set in P01.19, switch to Group 1;

9: When speed feedback exceeds settings of P01.20 & P01.21, switch to Group 2; otherwise Group 1 after the time set in P01.19;

10: When position instruction is not 0, switch to Group 2; when position instruction maintains 0 and speed feedback is lower than P01.20 after the time set in P01.19, switch to Group 1.

P01.19	Position control gain switchover delay	Range	Default	Unit	Effective	Control Mode		
		0~1000	50	0.1ms	Immediate	P		

P01.20	Position control gain switchover grade	Range	Default	Unit	Effective	Control Mode		
		0~20000	50	-	Immediate	P		

P01.21	Position control gain switchover hysteresis	Range	Default	Unit	Effective	Control Mode		
		0~20000	33	-	Immediate	P		

P01.22	Position control gain switchover time	Range	Default	Unit	Effective	Control Mode		
		0~1000	33	0.1ms	Immediate	P		

P01.23	Speed control gain switchover mode	Range	Default	Unit	Effective	Control Mode		
		0~5	0	-	Immediate		S	

0: Group 1 gains (fixed): P01.00~P01.04;

1: Group 2 gains (fixed): P01.05~P01.09;

2: Use GAIN_SEL signal to switch between Group 1 and Group 2 gains; or use speed regulator for P/PI switchover;

3: When torque instruction exceeds settings of P01.25 & P01.26, switch to Group 2; otherwise Group 1 after the time set in

P01.24, unit 0.1%;

4: When speed instruction variation exceeds settings of P01.25 & P01.26, switch to Group 2; otherwise Group 1 after the time set in P01.24, unit 10rpm;

5: When speed instruction exceeds settings of P01.25 & P01.26, switch to Group 2; otherwise Group 1 after the time set in P01.24, unit 1rpm

P01.24	Speed control gain switchover delay	Range	Default	Unit	Effective	Control Mode		
		0~1000	0	0.1ms	Immediate		S	

P01.25	Speed control gain switchover grade	Range	Default	Unit	Effective	Control Mode		
		0~20000	0	-	Immediate		S	

P01.26	Speed control gain switchover hysteresis	Range	Default	Unit	Effective	Control Mode		
		0~20000	0	-	Immediate		S	

P01.27	Torque control gain switchover mode	Range	Default	Unit	Effective	Control Mode		
		0~3	0	-	Immediate			T

0: Group 1 gains (fixed): P01.00~P01.04;

1: Group 2 gains (fixed): P01.05~P01.09;

2: Use GAIN_SEL signal to switch between Group 1 and Group 2 gains; or use speed regulator for P/PI switchover;

3: When torque instruction exceeds settings of P01.29 & P01.30, switch to Group 2; otherwise Group 1 after the time set in P01.28, unit 0.1%;

P01.28	Torque control gain switchover delay	Range	Default	Unit	Effective	Control Mode		
		0~1000	0	0.1ms	Immediate			T

P01.29	Torque control gain switchover grade	Range	Default	Unit	Effective	Control Mode		
		0~20000	0	-	Immediate			T

P01.30	Torque control gain switchover hysteresis	Range	Default	Unit	Effective	Control Mode		
		0~20000	0	-	Immediate			T

P01.31	Observer enable	Range	Default	Unit	Effective	Control Mode		
		0~2	0	-	Restart	P	S	T

0: Disable

1: Debugging

2: Enable

P01.32	Observer cutoff frequency	Range	Default	Unit	Effective	Control Mode		
		0~500	100	1HZ	Restart	P	S	T

The greater the cutoff frequency, the faster the response of speed observation and speed feedback, which may cause abnormal noise.

P01.33	Observer phase compensation time	Range	Default	Unit	Effective	Control Mode		
		0 ~ 10000	0	0.01ms	Immediate	P	S	T

Compensation feedback detection delay may increase the stability margin within a certain range, but should not be set

too large.

P01.34	Observer inertia coefficient	Range	Default	Unit	Effective	Control Mode		
		0 ~ 10000	1000	0.01ms	Restart	P	S	T

The recommended setting value is 1024 when the inertia is stable and accurate.

• **P02 Group Vibration Suppression Parameters**

P02.00	Position instruction smoothing filter	Range	Default	Unit	Effective	Control Mode		
		0~65535	0	0.1ms	Immediate	P		

This parameter is position instruction first order low-pass filtering time constant.

P02.01	Position instruction FIR filter	Range	Default	Unit	Effective	Control Mode		
		0~1280	0	0.1ms	Immediate	P		

P02.02	Adaptive filtering mode	Range	Default	Unit	Effective	Control Mode		
		0~4	0	-	Immediate	P	S	

0: Adaptive invalid, 3rd & 4th filters are functioning but parameters are not updated;

1: Only 3rd filter is functioning with updated parameters;

2: 3rd & 4th filters are functioning with updated parameters;

3: Resonance frequency testing, but parameters are not updated;

4: Clear adaptive records, 3rd & 4th filters are not functioning.

P02.03	Adaptive filtering load mode	Range	Default	Unit	Effective	Control Mode		
		0~1	0	-	Immediate	P	S	T

0: High stiffness load

1: Low stiffness load

P02.04	First notch filter frequency (manual)	Range	Default	Unit	Effective	Control Mode		
		50~5000	5000	1Hz	Immediate	P	S	T

This is the central frequency of first notch filter. If set to 5000 (default), it is invalid.

P02.05	First notch filter width	Range	Default	Unit	Effective	Control Mode		
		0~12	2	-	Immediate	P	S	T

P02.06	First notch filter depth	Range	Default	Unit	Effective	Control Mode		
		0~99	0	-	Immediate	P	S	T

P02.07	Second notch filter frequency (manual)	Range	Default	Unit	Effective	Control Mode		
		50~5000	5000	1Hz	Immediate	P	S	T

P02.08	Second notch filter width	Range	Default	Unit	Effective	Control Mode		
		0~12	2	-	Immediate	P	S	T

P02.09	Second notch filter depth	Range	Default	Unit	Effective	Control Mode		
		0~99	0	-	Immediate	P	S	T

P02.10	Third notch filter frequency	Range	Default	Unit	Effective	Control Mode		
		50~5000	5000	1Hz	Immediate	P	S	T

P02.11	Third notch filter width	Range	Default	Unit	Effective	Control Mode		
		0~12	2	-	Immediate	P	S	T

P02.12	Third notch filter depth	Range	Default	Unit	Effective	Control Mode		
		0~99	0	-	Immediate	P	S	T

P02.13	Fourth notch filter frequency	Range	Default	Unit	Effective	Control Mode		
		50~5000	5000	1Hz	Immediate	P	S	T

P02.14	Fourth notch filter width	Range	Default	Unit	Effective	Control Mode		
		0~12	2	-	Immediate	P	S	T

P02.15	Fourth notch filter depth	Range	Default	Unit	Effective	Control Mode		
		0~99	0	-	Immediate	P	S	T

P02.19	Position instruction FIR filter 2	Range	Default	Unit	Effective	Control Mode		
		0~1280	0	0.1ms	Immediate	P		

P02.20	First vibration attenuation frequency	Range	Default	Unit	Effective	Control Mode		
		0~1000	0	0.1Hz	Immediate	P	S	

Frequency value of low-frequency resonance point 1.

P02.21	First vibration attenuation filter setting	Range	Default	Unit	Effective	Control Mode		
		0~10	0	0.1	Immediate	P	S	

Half-cycle attenuation coefficient of low-frequency resonance point 1.

P02.22	Second vibration attenuation frequency	Range	Default	Unit	Effective	Control Mode		
		0~1000	0	0.1Hz	Immediate	P	S	

Frequency value of low-frequency resonance point 2.

P02.23	Second vibration attenuation filter setting	Range	Default	Unit	Effective	Control Mode		
		0~10	0	0.1	Immediate	P	S	

Half-cycle attenuation coefficient of low-frequency resonance point 2.

P02.31	Resonance point 1 frequency	Range	Default	Unit	Effective	Control Mode		
		0~5000	5000	1Hz	Display only	P	S	T

Resonance frequency detected by adaptive first notch filter.

P02.32	Resonance point 1 bandwidth	Range	Default	Unit	Effective	Control Mode		
		0~20	2	-	Display only	P	S	T

Resonance frequency width detected by adaptive first notch filter.

P02.33	Resonance point 1 amplitude	Range	Default	Unit	Effective	Control Mode		
		0~1000	0	-	Display only	P	S	T

Resonance frequency width detected by adaptive first notch filter.

P02.34	Resonance point 2 frequency	Range	Default	Unit	Effective	Control Mode		
		0~5000	5000	1Hz	Display only	P	S	T

Resonance frequency detected by adaptive second notch filter.

P02.35	Resonance point 2 bandwidth	Range	Default	Unit	Effective	Control Mode		
		0~20	2	-	Display only	P	S	T

Resonance frequency width detected by adaptive second notch filter.

P02.36	Resonance point 2 amplitude	Range	Default	Unit	Effective	Control Mode		
		0~1000	0	-	Display only	P	S	T

Resonance frequency width detected by adaptive second notch filter.

• **P03 Group Speed & Torque Control Parameters**

P03.00	Speed instruction source selection	Range	Default	Unit	Effective	Control Mode		
		0~6	0	-	Restart		S	

0: By P03.03 setting value;

1: Reserved for X2 series;

2: Reserved for X2 series;

3: multi-stage 1~16 switchover;

4: Reserved for X2 series;

5: Reserved for X2 series;

6: multi-stage 1~16 switchover + digital setting.

P03.03	Speed instruction digital setting	Range	Default	Unit	Effective	Control Mode		
		-9000~9000	200	1RPM	Immediate		S	

P03.04	JOG speed setting	Range	Default	Unit	Effective	Control Mode		
		0~3000	200	1RPM	Immediate		S	

P03.08	Torque limit source	Range	Default	Unit	Effective	Control Mode		
		0~1	0	-	Immediate	P	S	

0: Internal torque limit (default)

1: External torque limit (by P_CL/N_CL signals)

P03.09	Internal forward torque limit	Range	Default	Unit	Effective	Control Mode		
		0~5000	3000	0.1%	Immediate	P	S	

Relative to motor rated torque (0.0% ~ 500.0%).

P03.10	Internal reverse torque limit	Range	Default	Unit	Effective	Control Mode		
		0~5000	3000	0.1%	Immediate	P	S	

Relative to motor rated torque (0.0% ~ 500.0%).

P03.11	External forward torque limit	Range	Default	Unit	Effective	Control Mode		
		0~5000	3000	0.1%	Immediate	P	S	

Relative to motor rated torque (100.0%).

P03.12	External reverse torque limit	Range	Default	Unit	Effective	Control Mode		
		0~5000	3000	0.1%	Immediate	P	S	

Relative to motor rated torque (100.0%).

P03.14	Acceleration time 1	Range	Default	Unit	Effective	Control Mode		
		0~65535	10	1ms	Immediate		S	T

0ms~65535ms/1000rpm

P03.15	Deceleration time 1	Range	Default	Unit	Effective	Control Mode		
		0~65535	10	1ms	Immediate		S	T

0ms~65535ms/1000rpm

P03.16	Acceleration time 2	Range	Default	Unit	Effective	Control Mode		
		0~65535	0	1ms	Immediate		S	

0ms~65535ms/1000rpm

P03.17	Deceleration time 2	Range	Default	Unit	Effective	Control Mode		
		0~65535	10	1ms	Immediate		S	

0ms~65535ms/1000rpm

P03.19	Zero-speed clamp function	Range	Default	Unit	Effective	Control Mode		
		0~2	0	-	Immediate		S	T

0: Invalid

1: When ZERO_SPD is valid, the speed command is forced to be 0.

2: When ZERO_SPD is valid, the speed command is forced to be 0. When the actual speed of motor is less than the value of P03.20, servo will switch over to position control mode and lock.

P03.20	Zero-speed clamp threshold value	Range	Default	Unit	Effective	Control Mode		
		0~1000	10	1RPM	Immediate		S	T

P03.22	Torque instruction source	Range	Default	Unit	Effective	Control Mode		
		0~4	0	-	Restart			T

0: Digital setting of P03.25;

1: Reserved for X2 series;

2: Reserved for X2 series;

3: Reserved for X2 series

4: Reserved for X2 series.

P03.25	Torque instruction digital setting value	Range	Default	Unit	Effective	Control Mode		
		-3000~3000	0	0.1%	Immediate			T

-300.0%~300.0% (relative to motor rated torque)

P03.26	Speed limit source in torque control	Range	Default	Unit	Effective	Control Mode		
		0~1	0	-	Immediate			T

0: Internal positive/negative speed limit P03.27 and P3.28

1: Reserved for X2 series

P03.27	Internal positive speed limit	Range	Default	Unit	Effective	Control Mode		
		0~9000	3000	1RPM	Immediate			T

P03.28	Internal negative speed limit	Range	Default	Unit	Effective	Control Mode		
		0~9000	3000	-	Immediate			T

P03.29	Hard limit torque limit	Range	Default	Unit	Effective	Control Mode		
--------	-------------------------	-------	---------	------	-----------	--------------	--	--

		0~4000	3000	0.1%	Immediate	P	S	
--	--	--------	------	------	-----------	---	---	--

When contacting the torque limit at hard limit, this should be -300. 0% to 300. 0%(based on the rated torque of motor).
When the torque instruction increases rapidly and time exceeds the detection time set in P03.30, it is considered to contact hard limit.

Use torque instruction sign to distinguish positive/ negative hard limit.

When the third digit of P07.08 from the right side is set to 1 or 2, this parameter becomes valid.

P03.30	Hard limit torque limit detection time	Range	Default	Unit	Effective	Control Mode		
		0~2000	100	-	Immediate	P	S	

P03.31	Internal speed instruction segment number selection mode	Range	Default	Unit	Effective	Control Mode		
		0~1	0	-	Restart		S	

0: DI terminal selection

1: Communication selection

P03.32	Acceleration time selection for internal speed segment 1-8	Range	Default	Unit	Effective	Control Mode		
		0~1	0	-	Immediate		S	

0: Acceleration time 1 (P03.14);

1: Acceleration time 2 (P03.16).

P03.33	Deceleration time selection for internal speed segment 1-8	Range	Default	Unit	Effective	Control Mode		
		0~1	0	-	Immediate		S	

0: Deceleration time 1 (P03.15);

1: Deceleration time 2 (P03.17).

P03.34	Acceleration time selection for internal speed segment 9-16	Range	Default	Unit	Effective	Control Mode		
		0~1	0	-	Immediate		S	

0: Acceleration time 1 (P03.14);

1: Acceleration time 2 (P03.16).

P03.35	Deceleration time selection for internal speed segment 9-16	Range	Default	Unit	Effective	Control Mode		
		0~1	0	-	Immediate		S	

0: Deceleration time 1 (P03.15);

1: Deceleration time 2 (P03.17).

P03.36	Segment 1 speed	Range	Default	Unit	Effective	Control Mode		
		-9000~9000	0	1RPM	Immediate		S	

P03.37	Segment 2 speed	Range	Default	Unit	Effective	Control Mode		
		-9000~9000	0	1RPM	Immediate		S	

P03.38	Segment 3 speed	Range	Default	Unit	Effective	Control Mode		
		-9000~9000	0	1RPM	Immediate		S	

P03.39	Segment 4 speed	Range	Default	Unit	Effective	Control Mode		
		-9000~9000	0	1RPM	Immediate		S	

P03.40	Segment 5 speed	Range	Default	Unit	Effective	Control Mode		
--------	-----------------	-------	---------	------	-----------	--------------	--	--

		-9000~9000	0	1RPM	Immediate		S	
--	--	------------	---	------	-----------	--	---	--

P03.41	Segment 6 speed	Range	Default	Unit	Effective	Control Mode		
		-9000~9000	0	1RPM	Immediate		S	

P03.42	Segment 7 speed	Range	Default	Unit	Effective	Control Mode		
		-9000~9000	0	1RPM	Immediate		S	

P03.43	Segment 8 speed	Range	Default	Unit	Effective	Control Mode		
		-9000~9000	0	1RPM	Immediate		S	

P03.44	Segment 9 speed	Range	Default	Unit	Effective	Control Mode		
		-9000~9000	0	1RPM	Immediate		S	

P03.45	Segment 10 speed	Range	Default	Unit	Effective	Control Mode		
		-9000~9000	0	1RPM	Immediate		S	

P03.46	Segment 11 speed	Range	Default	Unit	Effective	Control Mode		
		-9000~9000	0	1RPM	Immediate		S	

P03.47	Segment 12 speed	Range	Default	Unit	Effective	Control Mode		
		-9000~9000	0	1RPM	Immediate		S	

P03.48	Segment 13 speed	Range	Default	Unit	Effective	Control Mode		
		-9000~9000	0	1RPM	Immediate		S	

P03.49	Segment 14 speed	Range	Default	Unit	Effective	Control Mode		
		-9000~9000	0	1RPM	Immediate		S	

P03.50	Segment 15 speed	Range	Default	Unit	Effective	Control Mode		
		-9000~9000	0	1RPM	Immediate		S	

P03.51	Segment 16 speed	Range	Default	Unit	Effective	Control Mode		
		-9000~9000	0	1RPM	Immediate		S	

• **P04 Group Digital Input/output Parameters**

P04.00	Normal DI filter selection	Range	Default	Unit	Effective	Control Mode		
		0~10000	500	1μs	Restart	P	S	T

This parameter is only applicable to DI1 to DI6. For DI7 to DI9, refer to P06.44.

P04.01	DI1 terminal function selection	Range	Default	Unit	Effective	Control Mode		
		0~63	1	-	Restart	P	S	T

Input function codes: 0, 1-63

0: No definition

1~63: Funl N. 1~63 (Refer to the table of DI function. Some DI haven't been defined, reserved)

Please refer to table below:

Value	Sign	Name	Remarks
1	S_ON	Servo enable	Invalid-Servo disabled Valid-Servo enabled
2	ERR_RST	Error reset	Valid when detecting edge changes.
3	GAIN_SEL	Gain switchover	Invalid-Speed control loop is PI control. Valid- Speed control loop is P control.
4	CMD_SEL	Command switchover	Invalid: present command is A Valid: present command is B
5	PERR_CLR	Pulse deviation clear	Invalid-No operation Valid-Clear pulse deviation
6	MI_SEL1	16-stage instruction switchover	Select 16 position instruction or speed instruction to execute via DI terminal.
7	MI_SEL2	16-stage instruction switchover	
8	MI_SEL3	16-stage instruction switchover	
9	MI_SEL4	16-stage instruction switchover	
10	MODE_SEL	Control mode switchover	Switchover of control modes when P00.01 is set to 3, 4 or 5.
12	ZERO_SPD	Zero-speed clamp	Valid-Zero-speed clamp enabled Invalid- Zero-speed clamp disabled
13	INHIBIT	Pulse input inhibition	Valid- Pulse input inhibition Invalid-Pulse input allowed
14	P_OT	Positive over-travel	Use with limit switches for over-travel protections.
15	N_OT	Negative over-travel	Use with limit switches for over-travel protections.
16	P_CL	External forward torque limit	Valid-External torque limit is valid Invalid- External torque limit is invalid
17	N_CL	External reverse torque limit	Valid- External torque limit is valid Invalid- External torque limit is invalid
18	P_JOG	Positive JOG	Valid- Input according to the specified instruction Invalid-Instruction input stop
19	N_JOG	Negative JOG	
20	GEAR_SEL1	Electronic gear selection	GEAR_SEL1 invalid, GEAR_SEL2 invalid: electronic gear 1 GEAR_SEL1 valid, GEAR_SEL2 invalid: electronic gear 2 GEAR_SEL1 invalid, GEAR_SEL2 valid: electronic gear 3 GEAR_SEL1 valid, GEAR_SEL2 valid: electronic gear 4
21	GEAR_SEL2		
22	POS_DIR	Position instruction negation	Invalid-No reverse; Valid-Reverse

23	SPD_DIR	Speed instruction negation	Invalid-No reverse; Valid-Reverse
24	TOQ_DIR	Torque instruction negation	Invalid-No reverse; Valid-Reverse
25	PSEC_EN	Internal multi-stage enable	Invalid-Disable internal multi-stage instruction; Valid- Enable internal multi-stage instruction
26	INTP_ULK	Interrupt positioning release	Valid: when P08.86 is set to 2 or 4
27	INTP_OFF	Interrupt positioning inhibit	Valid: when P08.86 is set to non-zero value
28	HOME_IN	Homing origin point	Can be used as origin position signal or deceleration position signal
29	STHOME	Homing start	Start homing operation.
30	ESTOP	Emergency stop	Invalid-No effect Valid-Emergency stop enabled
31	STEP	Step enable	Valid-Step enabled; Invalid- Instruction is 0, positioning
32	FORCE_ERR	Forced error protection	Invalid-No effect Valid- Forced error protection
34	INTP_TRIG	Interrupt positioning trigger	Valid: when P08.86 is set to non-zero value, can only use DI8 or DI9.
35	INPOSHAL T	Internal position instruction generation pause	Invalid-No effect Valid- Decelerate and pause executing internal multi-stage position and interrupt positioning
37	ENC_SEN	SEN enable absolute position data sending	Invalid-No effect; Valid- OAOBOZ send absolute position data, cannot enable servo

P04.02	DI2 terminal function selection	Range	Default	Unit	Effective	Control Mode		
		0~63	2	-	Restart	P	S	T

P04.03	DI3 terminal function selection	Range	Default	Unit	Effective	Control Mode		
		0~63	13	-	Restart	P	S	T

P04.04	DI4 terminal function selection	Range	Default	Unit	Effective	Control Mode		
		0~63	5	-	Restart	P	S	T

P04.05	DI5 terminal function selection	Range	Default	Unit	Effective	Control Mode		
		0~63	25	-	Restart	P	S	T

P04.06	DI6 terminal function selection	Range	Default	Unit	Effective	Control Mode		
		0~63	14	-	Restart	P	S	T

P04.07	DI7 terminal function selection	Range	Default	Unit	Effective	Control Mode		
--------	---------------------------------	-------	---------	------	-----------	--------------	--	--

		0~63	15	-	Restart	P	S	T
--	--	------	----	---	---------	---	---	---

P04.08	DI8 terminal function selection	Range	Default	Unit	Effective	Control Mode		
		0~63	0	-	Restart	P	S	T

P04.11	DI1 terminal logic selection	Range	Default	Unit	Effective	Control Mode		
		0~1	0	-	Immediate	P	S	T

Input polarity:

0: Low level valid

1: High level valid

P04.12	DI2 terminal logic selection	Range	Default	Unit	Effective	Control Mode		
		0~1	0	-	Immediate	P	S	T

P04.13	DI3 terminal logic selection	Range	Default	Unit	Effective	Control Mode		
		0~1	0	-	Immediate	P	S	T

P04.14	DI4 terminal logic selection	Range	Default	Unit	Effective	Control Mode		
		0~1	0	-	Immediate	P	S	T

P04.15	DI5 terminal logic selection	Range	Default	Unit	Effective	Control Mode		
		0~1	0	-	Immediate	P	S	T

P04.16	DI6 terminal logic selection	Range	Default	Unit	Effective	Control Mode		
		0~1	1	-	Immediate	P	S	T

P04.17	DI7 terminal logic selection	Range	Default	Unit	Effective	Control Mode		
		0~1	1	-	Immediate	P	S	T

P04.18	DI8 terminal logic selection	Range	Default	Unit	Effective	Control Mode		
		0~1	0	-	Immediate	P	S	T

P04.21	DO1 terminal function selection	Range	Default	Unit	Effective	Control Mode		
		0~31	11	-	Restart	P	S	T

Output function codes: 1-31

0: No definition

1~31: FunOUT. 1~31 (Refer to the table of DO function. Some haven't been defined, reserved)

Please refer to table below:

Value	Sign	Name	Remarks
1	S_RDY	Servo ready	Valid- Servo ready Invalid- Servo not ready
2	S_ERR	Servo error	Valid when detecting error
3	S_WARN	Servo warning	Valid when alarm output
4	TGON	Motor rotation	Valid-Motor rotation is valid

			Invalid- Motor rotation is invalid.
5	V_ZERO	Motor speed is 0	Valid- Motor speed is 0 Invalid- Motor speed is not 0
6	V_CMP	Speed conformity	Speed control, valid when absolute deviation of motor speed and speed instruction is less than the settings of P04.44.
7	COIN	Positioning completed	Position control, valid when pulse deviation is less than the settings of P04.47.
8	NEAR	Positioning near	Position control, valid when pulse deviation is less than the settings of P04.50.
9	T_LT	Torque in limit	Valid - Motor torque is in limit Invalid - Motor torque is not in limit
10	V_LT	Speed in limit	Valid - Motor speed is in limit Invalid - Motor speed is not in limit
11	BKOFF	Brake release	Valid Brake release, motor rotate Invalid Motor shaft lock
12	T_ARR	Torque reached	Valid when torque feedback reaches the settings of P04.55; allowable fluctuations set in P04.56.
13	V_ARR	Speed reached	Valid when speed feedback reaches the settings of P04.45; allowable fluctuations ± 10 rpm.
15	INTP_DONE	Interrupt positioning complete	Position deviation is smaller than setting value of 04.47 at interrupt positioning. Signal holding time is set by 04.49.
16	DB_OUT	Dynamic brake output	Requires external relay or contactor and current limiting resistor
17	HOME	Homing complete	
18	INTP_WORK	Interrupt positioning working	Interrupt positioning execution
19	PCOM1	Position 1 comparison trigger signal	Output trigger signal when position 1 reaches the corresponding range
20	PCOM2	Position 2 comparison trigger signal	Output trigger signal when position 2 reaches the corresponding range
21	PCOM3	Position 3 comparison trigger signal	Output trigger signal when position 3 reaches the corresponding range
22	PCOM4	Position 4 comparison trigger signal	Output trigger signal when position 4 reaches the corresponding range

P04.22	DO2 terminal function selection	Range	Default	Unit	Effective	Control Mode		
		0~31	4	-	Restart	P	S	T

P04.23	DO3 terminal function selection	Range	Default	Unit	Effective	Control Mode		
		0~31	7	-	Restart	P	S	T

P04.24	DO4 terminal function selection	Range	Default	Unit	Effective	Control Mode		
		0~31	2	-	Restart	P	S	T

P04.25	DO5 terminal function selection	Range	Default	Unit	Effective	Control Mode		
		0~31	9	-	Restart	P	S	T

P04.31	DO1 terminal logic selection	Range	Default	Unit	Effective	Control Mode		
		0~1	0	-	Immediate	P	S	T

Output polarity:0-1

0: Connected at valid (normally-open contacts)

1: Disconnected at valid (normally-closed contacts)

P04.32	DO2 terminal logic selection	Range	Default	Unit	Effective	Control Mode		
		0~1	0	-	Immediate	P	S	T

P04.33	DO3 terminal logic selection	Range	Default	Unit	Effective	Control Mode		
		0~1	0	-	Immediate	P	S	T

P04.34	DO4 terminal logic selection	Range	Default	Unit	Effective	Control Mode		
		0~1	0	-	Immediate	P	S	T

P04.35	DO5 terminal logic selection	Range	Default	Unit	Effective	Control Mode		
		0~1	0	-	Immediate	P	S	T

P04.41	FUNINL signal unassigned state (Hex)	Range	Default	Unit	Effective	Control Mode		
		0000H ~ FFFFH	0	-	Restart	P	S	T

0~0xFFFF

Bit0:Reserved

Bit1~Bit15 corresponds to DI functions 1~15.

P04.42	FUNINH signal unassigned state (Hex)	Range	Default	Unit	Effective	Control Mode		
		0000H ~ FFFFH	0	-	Restart	P	S	T

0~0xFFFF

Bit0~Bit15 corresponds to DI functions 16~31.

P04.43	Motor rotational signal (TGON) threshold	Range	Default	Unit	Effective	Control Mode		
		0~1000	20	1RPM	Immediate	P	S	T

P04.44	Speed conformity signal (V_CMP) width	Range	Default	Unit	Effective	Control Mode		
		10~1000	50	1RPM	Immediate		S	

P04.45	Speed reached signal (V_ARR) width	Range	Default	Unit	Effective	Control Mode		
		10~9000	100	1RPM	Immediate	P	S	T

P04.47	Positioning completion (COIN) threshold	Range	Default	Unit	Effective	Control Mode		
		1~65535	100	1P	Immediate	P		

P04.48	Positioning completion output setting	Range	Default	Unit	Effective	Control Mode		
		0~7	0	-	Immediate	P		

0: When position deviation absolute value is less than the setting value of P04.47, output COIN signal;

1: When position deviation absolute value is less than the setting value of P04.47 and position instruction is 0, output COIN signal;

2: When position deviation absolute value is less than the setting value of P04.47 and position instruction is 0, output COIN signal and holding time is the setting value of P04.49.

3: When position deviation absolute value is less than the setting value of P04.47 and position instruction is 0 after filtering, output COIN signal;

4: Condition 0 and zero-speed signal is valid, output COIN signal;

5: Condition 1 and zero-speed signal is valid, output COIN signal;

6: Condition 2 and zero-speed signal is valid, output COIN signal;

7: Condition 3 and zero-speed signal is valid, output COIN signal.

P04.49	Positioning completion holding time	Range	Default	Unit	Effective	Control Mode		
		1~65535	1	1ms	Immediate	P		

P04.50	Positioning near (NEAR) threshold	Range	Default	Unit	Effective	Control Mode		
		1~65535	65535	1P	Immediate	P		

P04.51	Servo OFF delay time after holding brake taking action when speed is 0	Range	Default	Unit	Effective	Control Mode		
		0~9999	10	1ms	Immediate	P	S	T

P04.52	Speed setting for holding brake to take action in motion	Range	Default	Unit	Effective	Control Mode		
		0~3000	100	1RPM	Immediate	P	S	T

P04.53	Waiting time for holding brake to take action in motion	Range	Default	Unit	Effective	Control Mode		
		0 ~ 9999	10	1ms	Immediate	P	S	T

P04.55	Torque reached (T_ARR) threshold	Range	Default	Unit	Effective	Control Mode		
		0~3000	1000	0.1%	Immediate	P	S	T

0.0% ~ 300.0% (based on rate torque of motor)

When actual torque (absolute value) \geq (P04.55 + P04.56), DO 12 becomes valid;

When actual torque (absolute value) $<$ (P04.55 - P04.56/4), DO 12 becomes invalid.

P04.56	Torque reached signal width	Range	Default	Unit	Effective	Control Mode		
		0~3000	200	0.1%	Immediate	P	S	T

P04.57	Phase-Z pulse width adjustment	Range	Default	Unit	Effective	Control Mode		
		0~100	0	-	Restart	P	S	T

P04.58	Zero-speed signal output limit	Range	Default	Unit	Effective	Control Mode		
		0~1000	60	1rpm	Immediate	P	S	T

• P06 Group Expansion Parameters

P06.00	Electronic gear numerator 2(32-bit)	Range	Default	Unit	Effective	Control Mode		
		1~1073741824	0	-	Immediate	P		

P06.02	Electronic gear numerator 3(32-bit)	Range	Default	Unit	Effective	Control Mode		
		1~1073741824	0	-	Immediate	P		

P06.04	Electronic gear numerator 4(32-bit)	Range	Default	Unit	Effective	Control Mode		
		1~1073741824	0	-	Immediate	P		

P06.06	Position deviation clearance function	Range	Default	Unit	Effective	Control Mode		
		0~3	0	-	Immediate	P		

0: Clear position deviation when servo is OFF and has error;

1: Clear position deviation only when servo has error;

2: Clear position deviation when servo is OFF and has error and PERR_CLR is valid;

3: Clear position deviation only by PERR_CLR

P06.09	Electronic gear ratio switchover delay	Range	Default	Unit	Effective	Control Mode		
		0~1	0	-	Restart	P	S	

0: Switch after position instruction maintains 0 for 10ms;

1: Real-time switchover.

P06.10	Potential energy load torque compensation	Range	Default	Unit	Effective	Control Mode		
		-100~100	0	1%	Immediate	P	S	

Compensation for gravitational load.

P06.11	P06.10 memory selections	Range	Default	Unit	Effective	Control Mode		
		0~2	2	-	Immediate	P	S	

0: Automatic update, memory at power off;

1: Automatic update, initialize after power off;

2: Not automatic update.

P06.12	Forward friction torque compensation	Range	Default	Unit	Effective	Control Mode		
		-3000 ~ 3000	0	0.1%	Immediate	P	S	

P06.13	Reverse friction torque compensation	Range	Default	Unit	Effective	Control Mode		
		-3000 ~ 3000	0	0.1%	Immediate	P	S	

P06.14	Viscous friction compensation	Range	Default	Unit	Effective	Control Mode		
		-3000 ~ 3000	0	0.1%	Immediate	P	S	

P06.15	Friction compensation time constant	Range	Default	Unit	Effective	Control Mode		
		0 ~ 10000	0	0.1%	Immediate	P	S	

P06.16	Friction compensation low-speed zone	Range	Default	Unit	Effective	Control Mode		
		0 ~ 500	1	1rpm	Immediate	P	S	

P06.19	Parameter identification rate	Range	Default	Unit	Effective	Control Mode		
		100~1000	500	-	Restart	P	S	

P06.20	Parameter identification acceleration time	Range	Default	Unit	Effective	Control Mode		
		50~10000	100	-	Restart	P	S	

P06.21	Parameter identification deceleration time	Range	Default	Unit	Effective	Control Mode		
		50~10000	100	-	Restart	P	S	

P06.22	Parameter identification mode selection	Range	Default	Unit	Effective	Control Mode		
		0~1	0	-	Restart	P	S	

0: During auto-tuning, not update inertia automatically;

1: During auto-tuning, update inertia automatically.

P06.23	Initial angle identification current limit	Range	Default	Unit	Effective	Control Mode		
		0~2000	500	0.1%	Restart	P	S	T

P06.24	Instantaneous power failure protection	Range	Default	Unit	Effective	Control Mode		
		0~2	0	-	Immediate	P	S	T

0: Disabled;

1: Enabled.

P06.25	Instantaneous power failure deceleration time	Range	Default	Unit	Effective	Control Mode		
		0~10000	20	1ms	Immediate	P	S	T

The setting range is 0~10000ms/1000RPM.

P06.26	Servo OFF stop mode selection	Range	Default	Unit	Effective	Control Mode		
		0~2	0	-	Restart	P	S	T

0: Coast to stop;

1: Zero-speed stop;

2: Stop by emergency torque (P06.32).

P06.27	Second category fault stop mode selection	Range	Default	Unit	Effective	Control Mode		
		0~2	0	-	Restart	P	S	T

Same as P06.26.

P06.28	Over-travel input setting	Range	Default	Unit	Effective	Control Mode		
		0~1	1	-	Restart	P	S	T

0: P_OT and N_OT are valid;

1: Over-travel is invalid.

P06.29	Over-travel stop mode selection	Range	Default	Unit	Effective	Control Mode		
		0~2	0	-	Restart	P	S	T

Same as P06.26.

P06.30	Input power phase loss protection	Range	Default	Unit	Effective	Control Mode		
--------	-----------------------------------	-------	---------	------	-----------	--------------	--	--

		0~1	0	-	Immediate	P	S	T
--	--	-----	---	---	-----------	---	---	---

0: With protection;

1: Without protection.

P06.31	Output power phase loss protection	Range	Default	Unit	Effective	Control Mode		
		0~1	0	-	Immediate	P	S	T

0: With protection;

1: Without protection.

P06.32	Emergency stop torque	Range	Default	Unit	Effective	Control Mode		
		0~5000	1000	0.1%	Immediate	P	S	T

0.0% to 300.0% motor rated torque

P06.33	Tripping protection function	Range	Default	Unit	Effective	Control Mode		
		0~1	0	-	Immediate	P	S	T

0: Disabled;

1: Enabled.

P06.34	Overload warning value	Range	Default	Unit	Effective	Control Mode		
		1~100	100	1%	Immediate	P	S	T

P06.35	Motor overload protection coefficient	Range	Default	Unit	Effective	Control Mode		
		10~300	100	1%	Immediate	P	S	T

P06.36	Undervoltage protection point	Range	Default	Unit	Effective	Control Mode		
		50~130	100	1%	Immediate	P	S	T

50%~100% to default undervoltage protection point.

P06.37	Over-speed error point	Range	Default	Unit	Effective	Control Mode		
		50~120	120	1%	Immediate	P	S	T

50%~120% to motor maximum speed.

P06.38	Maximum input pulse frequency	Range	Default	Unit	Effective	Control Mode		
		10~9000	500	1KHz	Restart	P		

P06.39	Short circuit to ground detection protection selection	Range	Default	Unit	Effective	Control Mode		
		0~1	1	-	Immediate	P	S	T

0: Detection enabled(default);

1: Disabled.

P06.40	Encoder interference detection delay	Range	Default	Unit	Effective	Control Mode		
		0~99	0	-	Immediate	P	S	T

P06.41	Input pulse filtering setting	Range	Default	Unit	Effective	Control Mode		
		0~500	40	-	Restart	P		

Recommended value for this parameter:

Input pulse frequency	P06.41 setting
Below 250KHz	40
250KHz to 500KHz	20

500KHz to 1MHz	10
1MHz to 2MHz	5
Above 2MHz	0

P06.42	Input pulse inhibition setting	Range	Default	Unit	Effective	Control Mode		
		0~3	0	-	Restart	P		

Only DI7, 8, 9 can be used.

- 0: 0.5ms twice continuously consistent;
- 1: 0.5ms three times continuously consistent;
- 2: 1ms three times continuously consistent;
- 3: 2ms three times continuously consistent.

P06.43	Deviation clearance input setting	Range	Default	Unit	Effective	Control Mode		
		0~1	0	-	Restart	P		

Only DI7, 8 can be used.

- 0: Level is valid;
- 1: Edge is valid.

P06.44	High speed DI filtering setting	Range	Default	Unit	Effective	Control Mode		
		0~10000	50	1μs	Restart	P	S	T

Only DI7, 8, 9 can be used.

P06.45	Speed deviation too large threshold	Range	Default	Unit	Effective	Control Mode		
		0~10000	0	1RPM	Immediate	P	S	

0: speed deviation detection is disabled;

1~10000: if speed deviation is over this value, Err.16 will output.

P06.46	Torque saturation overtime setting	Range	Default	Unit	Effective	Control Mode		
		0~30000	0	1ms	Immediate	P	S	T

If torque is saturated for time longer than this value, Err.17 will output.

P06.47	Absolute system setting	Range	Default	Unit	Effective	Control Mode		
		0~19	0	-	Immediate	P	S	T

One's place:

- 0: Incremental system;
- 1: Absolute system;
- 2: Absolute system (Err.12 needs manual clearance, industrial robotics special);
- 3~9: Absolute system with overflow error.

Ten's place:

- 0: Battery undervoltage warning but keep running;
- 1: Battery undervoltage warning and stop.

P06.48	Encoder battery undervoltage threshold	Range	Default	Unit	Effective	Control Mode		
		0~33	30	0.1V	Restart	P	S	T

Refer to P06.47.

P06.49	High-speed pulse input filter	Range	Default	Unit	Effective	Control Mode		
		0~500	80	-	Restart	P	S	T

0 ~500(Unit:10ns)

For 250KHZ or less, recommended value is 40;

For 250K ~500K, 20;

For 500K ~1M, 10;

For 1M or more, 5;

For 2M or more, 0.

• **P07 Group Auxiliary function Parameters**

P07.00	Panel display	Range	Default	Unit	Effective	Control Mode		
		0000H ~ FFFFH	0	-	Immediate	P	S	T

Hexadecimal, from right to left:

First digit: Display the setting at homepage of panel

0: Status display

When set to 1 to 5, display the parameters set in P07. 01 ~ P07. 05.

Others are reserved.

P07.01	Panel monitoring parameter setting 1	Range	Default	Unit	Effective	Control Mode		
		0~69	1	-	Immediate	P	S	T

This parameter is for displaying P21 group parameters except for P21.00.

P07.02	Panel monitoring parameter setting 2	Range	Default	Unit	Effective	Control Mode		
		0~69	5	-	Immediate	P	S	T

P07.03	Panel monitoring parameter setting 3	Range	Default	Unit	Effective	Control Mode		
		0~69	6	-	Immediate	P	S	T

P07.04	Panel monitoring parameter setting 4	Range	Default	Unit	Effective	Control Mode		
		0~69	21	-	Immediate	P	S	T

P07.05	Panel monitoring parameter setting 5	Range	Default	Unit	Effective	Control Mode		
		0~69	23	-	Immediate	P	S	T

P07.08	Function selection 1	Range	Default	Unit	Effective	Control Mode		
		0000H ~ FFFFH	0	-	Immediate	P	S	T

Hexadecimal, from right to left:

First digit: Time multiplier of origin search

Second digit: Deviation clear selection at pulse inhibition:

0: Non-automatic clear deviation at pulse inhibition

1: Automatic clear deviation at pulse inhibition

Third digit: Limit detection method at origin search:

0: By D1 14 and 15 detection

1: By hard limit torque detection

2: DI function or hard limit torque detection

Fourth digit: Soft-limit detection:

0: No soft-limit detection

- 1: Enable soft-limit detection at power-on
- 2: Soft-limit detection after home return completion

P07.09	Function selection 2	Range	Default	Unit	Effective	Control Mode		
		0000H ~ FFFFH	0	-	Immediate	P	S	T

Reserved

P07.10	User password	Range	Default	Unit	Effective	Control Mode		
		0~65535	0	-	Immediate	P	S	T

Reserved

P07.11	Instant power failure immediate memory function	Range	Default	Unit	Effective	Control Mode		
		0~1	0	-	Immediate	P	S	T

0: Disabled

1: Enabled

P07.12	User password screen-lock time	Range	Default	Unit	Effective	Control Mode		
		0~30	5	min	Immediate	P	S	T

P07.14	Fast deceleration time	Range	Default	Unit	Effective	Control Mode		
		1~9999	5	ms	Immediate	P	S	

P07.16	Function selection 3	Range	Default	Unit	Effective	Control Mode		
		0000H ~ FFFFH	0	-	Immediate	P		

Hexadecimal, from right to left:

First digit: Interrupt positioning instruction setting

0: No adjustment with electronic gear;

1: Adjust with electronic gear

Second digit: Interrupt positioning instruction direction setting

0: Follow the current operation direction

1: Decided by instruction sign

Third digit: Effective method setting at start home return

0: Valid at low level

1: Valid at falling edge

Other digits are reserved.

P07.17	Maximum division number pre motor one revolution	Range	Default	Unit	Effective	Control Mode		
		0~99	0	-	Immediate	P		

P07.19	Function selection 5	Range	Default	Unit	Effective	Control Mode		
		0000H ~ FFFFH	0	-	Restart	P	S	T

Hexadecimal, from right to left,

First digit: Reserved

Second digit: Reserved

Third digit: Position feedback initialization selection

If not the absolute system(P06.47=0),

0: Initialize to 0

1: Initialize to the value before power-off (Enabling Instant power failure immediate memory function is required, that is P07.11 is set to 1)

If absolute system(P06.47 = 0), decided by encoder value.

Fourth digit: Absolute position (P21.07) and position feedback (P21.17) counter bit width selection

0: 32-bit counter

1: 64-bit counter

When using 64-bit counter, low 32-bit of absolute position display in P21.07 and high 32-bit displays in P21.56;

Low 32-bit of position feedback displays in P21.17 and high 32-bit displays in P21.58.

P07.20	Function selection 6	Range	Default	Unit	Effective	Control Mode		
		0000H ~ FFFFH	0	-	Restart	P	S	T

Hexadecimal, from right to left:

First digit: Motor type selection

0: Read from encoder;

1: Manual setting;

Second digit: Software overcurrent detection

0: Enable

1: Disable

Other digits are reserved.

P07.21	Function selection 7	Range	Default	Unit	Effective	Control Mode		
		0000H ~ FFFFH	0	-	Restart	P	S	T

Hexadecimal, from right to left:

First digit: Servo not ready

0: No error or alarm

1: AL.084 occurs

2: Er.040 occurs

Second digit: Reserved

Third digit: DI/DO monitoring display

0: By binary

1: By hexadecimal

Other digits are reserved.

P07.22	Function selection 8	Range	Default	Unit	Effective	Control Mode		
		0000H ~ FFFFH	0	-	Restart	P	S	T

Hexadecimal, from right to left:

First digit: Main power off(Err.56) detection setting

0: Err.56 detected and reset automatically

1: Err.56; Not detect Err.56

2: Err.56 detected but cannot reset automatically

Second digit: Undervoltage(Err.21) detection setting

- 0: Err .21 detected and reset automatically
- 1: Not detect Err .21.
- 2: Err .21 detected but cannot reset automatically.

Third digit: Error records of Err .21 and Err .56

- 0: Not stored
- 1: Stored

Fourth digit: Control power undervoltage error (Err .18) detection

- 0: Enable
- 1: Disabled

P07.23	Alarm reset time	Range	Default	Unit	Effective	Control Mode		
		0 ~1	0	-	Immediate	P	S	T

- 0: Reset at SON valid
- 1: Cannot reset at SON valid

P07.24	Positive soft-limit(32-bit)	Range	Default	Unit	Effective	Control Mode		
		- 2147483648 ~ 2147483647	214748 3647	-	Restart	P	S	T

This parameter becomes valid at position control, speed control and torque control mode.

P07.25	Negative soft-limit(32-bit)	Range	Default	Unit	Effective	Control Mode		
		- 2147483648 ~ 2147483647	- 214748 3648	-	Restart	P	S	T

This parameter becomes valid at position control, speed control and torque control mode.

• **P08 Group Internal Position Control Parameters**

P08.00	Internal position execution pattern selection	Range	Default	Unit	Effective	Control Mode		
		0~5	0	-	Restart	P		

- 0: Single operation
- 1: Cycle operation
- 2: DI terminal switchover operation
- 3: Communication switchover operation
- 4: Single continuous operation
- 5: Cycle continuous operation

There are totally 16-stage instructions, set the starting stage number by P08. 01 and ending stage number by P08. 02. For single operation, it starts from the starting stage, executes each stage's operation, then to the end stage. For cycle operation, starts from the starting stage, executes each stage's operation, to the end stage, then to the starting stage. It repeats the operation until the internal position signal becomes invalid or servo-off.

For 2 and 3, select the stage number by DI terminal or communication.

For 4 and 5, the difference is that there is need to decelerate to 0 before start the next stage operation. But for 0 and 1, it should decelerate to 0 before start the next stage operation.

P08.01	Starting stage number	Range	Default	Unit	Effective	Control Mode		
		1~16	1	-	Immediate	P		

The value of P08.01 should be less than P08.02. When P08.01 cannot be greater, change the P08.02 to the maximum expected value, and then modify P08.01.

P08.02	Ending stage number	Range	Default	Unit	Effective	Control Mode		
		1~16	2	-	Immediate	P		

The value of P08.02 should be greater than P08.01.

P08.03	Restarting pattern of residual stags after pausing	Range	Default	Unit	Effective	Control Mode		
		0~1	1	-	Immediate	P		

0: Finish the residual stages

1: Operate from the start stage again

P08.04	Position instruction type selection	Range	Default	Unit	Effective	Control Mode		
		0~1	0	-	Immediate	P		

0: Relative position instruction

1: Absolute position instruction

P08.05	Unit for waiting time	Range	Default	Unit	Effective	Control Mode		
		0~1	0	-	Immediate	P		

0: The waiting time takes ms as unit.

1: The waiting time takes s as unit

P08.06	Internal position control 1 st stage length (32-bit)	Range	Default	Unit	Effective	Control Mode		
		-1073741824~ 1073741824	10000	-	Immediate	P		

P08.08	Internal position control 1 st stage max speed	Range	Default	Unit	Effective	Control Mode		
		1~9000	200	1RPM	Immediate	P		

P08.09	Internal position control 1 st stage acceleration/deceleration time	Range	Default	Unit	Effective	Control Mode		
		0~65535	10	1ms	Immediate	P		

P08.10	Waiting time after internal position control 1 st stage completed	Range	Default	Unit	Effective	Control Mode		
		0~65535	0	1ms	Immediate	P		

P08.11	Internal position control 2 nd stage length (32-bit)	Range	Default	Unit	Effective	Control Mode		
		-1073741824~ 1073741824	10000	-	Immediate	P		

P08.13	Internal position control 2 nd stage max speed	Range	Default	Unit	Effective	Control Mode		
		1~9000	200	1RPM	Immediate	P		

P08.14	Internal position control 2 nd stage acceleration/deceleration time	Range	Default	Unit	Effective	Control Mode		
		0~65535	10	1ms	Immediate	P		

P08.15	Waiting time after internal position	Range	Default	Unit	Effective	Control Mode		
--------	--------------------------------------	-------	---------	------	-----------	--------------	--	--

	control 2 nd stage completed	0~65535	0	1ms	Immediate	P		
P08.16	Internal position control 3 rd stage length (32-bit)	Range	Default	Unit	Effective	Control Mode		
		-1073741824~ 1073741824	10000	-	Immediate	P		
P08.18	Internal position control 3 rd stage max speed	Range	Default	Unit	Effective	Control Mode		
		1~9000	200	1RPM	Immediate	P		
P08.19	Internal position control 3 rd stage acceleration/deceleration time	Range	Default	Unit	Effective	Control Mode		
		0~65535	10	1ms	Immediate	P		
P08.20	Waiting time after internal position control 3 rd stage completed	Range	Default	Unit	Effective	Control Mode		
		0~65535	0	1ms	Immediate	P		
P08.21	Internal position control 4 th stage length (32-bit)	Range	Default	Unit	Effective	Control Mode		
		-1073741824~ 1073741824	10000	-	Immediate	P		
P08.23	Internal position control 4 th stage max speed	Range	Default	Unit	Effective	Control Mode		
		1~9000	200	1RPM	Immediate	P		
P08.24	Internal position control 4 th stage acceleration/deceleration time	Range	Default	Unit	Effective	Control Mode		
		0~65535	10	1ms	Immediate	P		
P08.25	Waiting time after internal position control 4 th stage completed	Range	Default	Unit	Effective	Control Mode		
		0~65535	0	1ms	Immediate	P		
P08.26	Internal position control 5 th stage length (32-bit)	Range	Default	Unit	Effective	Control Mode		
		-1073741824~ 1073741824	10000	-	Immediate	P		
P08.28	Internal position control 5 th stage max speed	Range	Default	Unit	Effective	Control Mode		
		1~9000	200	1RPM	Immediate	P		
P08.29	Internal position control 5 th stage acceleration/deceleration time	Range	Default	Unit	Effective	Control Mode		
		0~65535	10	1ms	Immediate	P		
P08.30	Waiting time after internal position control 5 th stage completed	Range	Default	Unit	Effective	Control Mode		
		0~65535	0	1ms	Immediate	P		
P08.31	Internal position control 6 th stage length (32-bit)	Range	Default	Unit	Effective	Control Mode		
		-1073741824~	10000	-	Immediate	P		

		1073741824						
P08.33	Internal position control 6 th stage max speed	Range	Default	Unit	Effective	Control Mode		
		1~9000	200	1RPM	Immediate	P		
P08.34	Internal position control 6 th stage acceleration/deceleration time	Range	Default	Unit	Effective	Control Mode		
		0~65535	10	1ms	Immediate	P		
P08.35	Waiting time after internal position control 6 th stage completed	Range	Default	Unit	Effective	Control Mode		
		0~65535	0	1ms	Immediate	P		
P08.36	Internal position control 7 th stage length (32-bit)	Range	Default	Unit	Effective	Control Mode		
		-1073741824~ 1073741824	10000	-	Immediate	P		
P08.38	Internal position control 7 th stage max speed	Range	Default	Unit	Effective	Control Mode		
		1~9000	200	1RPM	Immediate	P		
P08.39	Internal position control 7 th stage acceleration/deceleration time	Range	Default	Unit	Effective	Control Mode		
		0~65535	10	1ms	Immediate	P		
P08.40	Waiting time after internal position control 7 th stage completed	Range	Default	Unit	Effective	Control Mode		
		0~65535	0	1ms	Immediate	P		
P08.41	Internal position control 8 th stage length (32-bit)	Range	Default	Unit	Effective	Control Mode		
		-1073741824~ 1073741824	10000	-	Immediate	P		
P08.43	Internal position control 8 th stage max speed	Range	Default	Unit	Effective	Control Mode		
		1~9000	200	1RPM	Immediate	P		
P08.44	Internal position control 8 th stage acceleration/deceleration time	Range	Default	Unit	Effective	Control Mode		
		0~65535	10	1ms	Immediate	P		
P08.45	Waiting time after internal position control 8 th stage completed	Range	Default	Unit	Effective	Control Mode		
		0~65535	0	1ms	Immediate	P		
P08.46	Internal position control 9 th stage length (32-bit)	Range	Default	Unit	Effective	Control Mode		
		-1073741824~ 1073741824	10000	-	Immediate	P		
P08.48	Internal position control 9 th stage max speed	Range	Default	Unit	Effective	Control Mode		
		1~9000	200	1RPM	Immediate	P		

P08.49	Internal position control 9 th stage acceleration/deceleration time	Range	Default	Unit	Effective	Control Mode		
		0~65535	10	1ms	Immediate	P		
P08.50	Waiting time after internal position control 9 th stage completed	Range	Default	Unit	Effective	Control Mode		
		0~65535	0	1ms	Immediate	P		
P08.51	Internal position control 10 th stage length (32-bit)	Range	Default	Unit	Effective	Control Mode		
		-1073741824~1073741824	10000	-	Immediate	P		
P08.53	Internal position control 10 th stage max speed	Range	Default	Unit	Effective	Control Mode		
		1~9000	200	1RPM	Immediate	P		
P08.54	Internal position control 10 th stage acceleration/deceleration time	Range	Default	Unit	Effective	Control Mode		
		0~65535	10	1ms	Immediate	P		
P08.55	Waiting time after internal position control 10 th stage completed	Range	Default	Unit	Effective	Control Mode		
		0~65535	0	1ms	Immediate	P		
P08.56	Internal position control 11 th stage length (32-bit)	Range	Default	Unit	Effective	Control Mode		
		-1073741824~1073741824	10000	-	Immediate	P		
P08.58	Internal position control 11 th stage max speed	Range	Default	Unit	Effective	Control Mode		
		1~9000	200	1RPM	Immediate	P		
P08.59	Internal position control 11 th stage acceleration/deceleration time	Range	Default	Unit	Effective	Control Mode		
		0~65535	10	1ms	Immediate	P		
P08.60	Waiting time after internal position control 11 th stage completed	Range	Default	Unit	Effective	Control Mode		
		0~65535	0	1ms	Immediate	P		
P08.61	Internal position control 12 th stage length (32-bit)	Range	Default	Unit	Effective	Control Mode		
		-1073741824~1073741824	10000	-	Immediate	P		
P08.63	Internal position control 12 th stage max speed	Range	Default	Unit	Effective	Control Mode		
		1~9000	200	1RPM	Immediate	P		
P08.64	Internal position control 12 th stage acceleration/deceleration time	Range	Default	Unit	Effective	Control Mode		
		0~65535	10	1ms	Immediate	P		

P08.65	Waiting time after internal position control 12 th stage completed	Range	Default	Unit	Effective	Control Mode		
		0~65535	0	1ms	Immediate	P		
P08.66	Internal position control 13 th stage length (32-bit)	Range	Default	Unit	Effective	Control Mode		
		-1073741824~1073741824	10000	-	Immediate	P		
P08.68	Internal position control 13 th stage max speed	Range	Default	Unit	Effective	Control Mode		
		1~9000	200	1RPM	Immediate	P		
P08.69	Internal position control 13 th stage acceleration/deceleration time	Range	Default	Unit	Effective	Control Mode		
		0~65535	10	1ms	Immediate	P		
P08.70	Waiting time after internal position control 13 th stage completed	Range	Default	Unit	Effective	Control Mode		
		0~65535	0	1ms	Immediate	P		
P08.71	Internal position control 14 th stage length (32-bit)	Range	Default	Unit	Effective	Control Mode		
		-1073741824~1073741824	10000	-	Immediate	P		
P08.73	Internal position control 14 th stage max speed	Range	Default	Unit	Effective	Control Mode		
		1~9000	200	1RPM	Immediate	P		
P08.74	Internal position control 14 th stage acceleration/deceleration time	Range	Default	Unit	Effective	Control Mode		
		0~65535	10	1ms	Immediate	P		
P08.75	Waiting time after internal position control 14 th stage completed	Range	Default	Unit	Effective	Control Mode		
		0~65535	0	1ms	Immediate	P		
P08.76	Internal position control 15 th stage length (32-bit)	Range	Default	Unit	Effective	Control Mode		
		-1073741824~1073741824	10000	-	Immediate	P		
P08.78	Internal position control 15 th stage max speed	Range	Default	Unit	Effective	Control Mode		
		1~9000	200	1RPM	Immediate	P		
P08.79	Internal position control 15 th stage acceleration/deceleration time	Range	Default	Unit	Effective	Control Mode		
		0~65535	10	1ms	Immediate	P		
P08.80	Waiting time after internal position control 15 th stage completed	Range	Default	Unit	Effective	Control Mode		
		0~65535	0	1ms	Immediate	P		
P08.81	Internal position control 16 th	Range	Default	Unit	Effective	Control Mode		

	stage length (32-bit)	-1073741824~ 1073741824	10000	-	Immediate	P		
--	-----------------------	----------------------------	-------	---	-----------	---	--	--

P08.83	Internal position control 16 th stage max speed	Range	Default	Unit	Effective	Control Mode		
		1~9000	200	1RPM	Immediate	P		

P08.84	Internal position control 16 th stage acceleration/deceleration time	Range	Default	Unit	Effective	Control Mode		
		0~65535	10	1ms	Immediate	P		

P08.85	Waiting time after internal position control 16 th stage completed	Range	Default	Unit	Effective	Control Mode		
		0~65535	0	1ms	Immediate	P		

P08.86	Interrupt positioning setting	Range	Default	Unit	Effective	Control Mode		
		0~4	0	-	Restart	P		

0: Disable interrupt positioning function;

1: Enable, interrupt at DI signal rising edge and release the interrupt automatically after completion.

2: Enable, interrupt at DI signal rising edge and release the interrupt via DI signal INTP_ULK (DI function 26).

3: Enable, interrupt at DI signal falling edge and release the interrupt automatically after completion.

4: Enable, interrupt at DI signal falling edge and release the interrupt via DI signal INTP_ULK (DI function 26).

P08.88	Homing start modes	Range	Default	Unit	Effective	Control Mode		
		0~4	0	-	Restart	P		

0: OFF

1: Start by STHOME via DI function

2: Start by operation panel

3: Start by communication

4: Immediate start at first servo ON

P08.89	Homing modes	Range	Default	Unit	Effective	Control Mode		
		0~8	2	-	Restart	P		

0: Forward origin search, take positive limit as origin

1: Backward origin search, take negative limit as origin

2: Forward origin search, take HOME_I N signal OFF→ON as origin

3: Backward origin search, take HOME_I N signal OFF→ON as origin

4: Forward origin search, take HOME_I N signal ON→OFF as origin

5: Backward origin search, take HOME_I N signal ON→OFF as origin

6: Forward, find the nearest Z-phase signal as origin

7: Backward, find the nearest Z-phase signal as origin

8: Take the present position as origin

P08.90	Limit switch and Z-phase signal at homing modes	Range	Default	Unit	Effective	Control Mode		
		0~5	2	-	Restart	P		

0: Reverse to find Z-phase signal after contacting limit switch;

1: Forward to find Z-phase signal after contacting limit switch;

2: Not find Z-phase signal after contacting limit switch;

3: Reverse for Z-pulse signal after contacting limit switch, stops and alarm occurs (AL. 086)

4: Forward for Z-pulse signal after contacting limit switch, stop and alarm occurs (AL. 086)

5: Not find Z-pulse signal after contacting limit switch, stops and alarm occurs (AL. 086)

Note: For contacting limit switch, if home modes is set to 0 to 1, even though this parameter is set to 3, 4 or 5, no alarm or stop. If home modes is set to 0 to 1, find Z-phase signal after contacting limit switch; If home modes is set to 2 to 5, find Z-phase signal after contacting HOME_I N signal.

P08.92	Origin search high speed	Range	Default	Unit	Effective	Control Mode		
		1~3000	500	1RPM	Immediate	P		

Start with this speed when homing starts.

P08.93	Origin search low speed	Range	Default	Unit	Effective	Control Mode		
		1~300	50	1RPM	Immediate	P		

Switch to low speed after contacting origin point or deceleration point.

P08.94	Acceleration/deceleration time at origin search	Range	Default	Unit	Effective	Control Mode		
		1~10000	500	1ms	Immediate	P		

Set the acceleration/deceleration time at the start/ stop of origin search.

P08.95	Homing time limit	Range	Default	Unit	Effective	Control Mode		
		1~65535	60000	1ms	Immediate	P		

Limit the longest time of homing. If origin point is still not found after the time set in P08.95, AL.96 occurs and operation stops.

P08.96	Origin point coordinate offset (32-bit)	Range	Default	Unit	Effective	Control Mode		
		-1073741824~1073741824	0	-	Immediate	P		

The absolute position counter will be cleared after finding the origin point or set the absolute position counter to the value of this parameter.

P08.98	Mechanical origin point offset (32-bit)	Range	Default	Unit	Effective	Control Mode		
		-1073741824~1073741824	0	-	Immediate	P		

System can move further in the distance set in this parameter after origin point is found.

• **P09 Group Communication Setting Parameters**

P09.00	Modbus axis address	Range	Default	Unit	Effective	Control Mode		
		1~247	1	-	Immediate	P	S	T

P09.01	Modbus baud rate	Range	Default	Unit	Effective	Control Mode		
		0~6	2	-	Immediate	P	S	T

0: 2400bps

1: 4800bps

2: 9600bps

3: 19200bps

4: 38400bps

5: 57600bps

6: 115200bps

P09.02	Modbus data format	Range	Default	Unit	Effective	Control Mode		
		0~3	0	-	Immediate	P	S	T

0: No parity, 8 data bit, 2 stop bit

1: Even, 8 data bit, 1 stop bit

2: Odd, 8 data bit, 1 stop bit

3: No parity, 8 data bit, 1 stop bit

P09.03	Communication overtime	Range	Default	Unit	Effective	Control Mode		
		0~9999	0	1ms	Immediate	P	S	T

P09.04	Communication response delay	Range	Default	Unit	Effective	Control Mode		
		0~9999	0	1ms	Immediate	P	S	T

P09.05	Communication DI enabling setting 1	Range	Default	Unit	Effective	Control Mode		
		0000H ~ FFFFH	0	-	Restart	P	S	T

Bit0 is reserved. Bit1~Bit15 corresponds to DI functions 1-15.

0: Invalid

1: Valid

P09.06	Communication DI enabling setting 2	Range	Default	Unit	Effective	Control Mode		
		0000H ~ FFFFH	0	-	Restart	P	S	T

Bit0~Bit15 corresponds to DI functions 16-31.

0: Invalid

1: Valid

P09.07	Communication DI enabling setting 3	Range	Default	Unit	Effective	Control Mode		
		00000H ~ FFFFH	0	-	Restart	P	S	T

Bit0~Bit15 corresponds to DI functions 32-47.

0: Invalid

1: Valid

P09.08	Communication DI enabling setting 4	Range	Default	Unit	Effective	Control Mode		
		0000H ~ FFFFH	0	-	Restart	P	S	T

Bit0~Bit15 corresponds to DI functions 48-63.

0: Invalid

1: Valid

P09.09	Communication DO enabling setting 1	Range	Default	Unit	Effective	Control Mode		
		0000H ~ FFFFH	0	-	Restart	P	S	T

Bit0 is reserved. Bit1~Bit15 corresponds to DO functions 1-15.

0: Invalid

1: Valid

P09.10	Communication DO enabling setting	Range	Default	Unit	Effective	Control Mode		
--------	-----------------------------------	-------	---------	------	-----------	--------------	--	--

	2	0000H ~ FFFFH	0	-	Restart	P	S	T
--	---	------------------	---	---	---------	---	---	---

Bit0~Bit15 corresponds to DO functions 16-31.

0: Invalid

1: Valid

P09.11	Communication instruction holding time	Range	Default	Unit	Effective	Control Mode		
		0~60	5	-	Immediate	P	S	T

This is the time that communication instruction maintains after disconnection.

0: 0.5 second.

1~60: unit is second.

P09.12	Enable AO function or CAN communication	Range	Default	Unit	Effective	Control Mode		
		0000H ~ FFFFH	0	-	Restart	P	S	T

Hexadecimal, from right to left,

First digit:

0: Enable CANOpen communication

1: Enable AO function

Second digit: Allowable message missing value in synchronization mode

Third digit: EtherCAT synchronization selection

0: Strict synchronization

1: Not strict synchronization

Fourth digit: For manufacture use.

P09.13	CAN communication configuration 1	Range	Default	Unit	Effective	Control Mode		
		0000H ~ FFFFH	5	-	Restart	P	S	T

Hexadecimal, from right to left,

First digit: CAN communication baud rate

0: 20k;

1: 50k;

2: 100k;

3: 125k;

4: 250k;

5: 500k;

6: 800k;

7: 1M

Second digit: Electronic gear ratio setting

0: Drive setting;

1: Master setting

Third digit: Unit for speed

0: Using internal unit

1: Using user 篠s unit

Fourth digit: Unit for acceleration/deceleration

0: Using internal unit;

1: Using user 篠s unit

P09.14	CAN communication configuration 2	Range	Default	Unit	Effective	Control Mode		
		0000H ~ FFFFH	0	-	Restart	P	S	T

Hexadecimal, from right to left,

First digit: Bus failure detection

0: Disabled,

1: Enabled

Second digit: Origin completion memory setting at absolute system

0: Not stored;

1: Stored

P09.15	CAN communication configuration 3	Range	Default	Unit	Effective	Control Mode		
		-20 ~+20	0	-	Immediate	P	S	T

• **P17 Group Expansion position control Parameters**

P17.16	Position comparison output mode	Range	Default	Unit	Effective	Control Mode		
		0000H ~ 0003H	0	-	Restart	P		

Setting range: 0 ~ 3,

0: Disable

1: Forward trigger,

2: Reverse trigger,

3: Bi-directional trigger

P17.17	First position(32-bit)	Range	Default	Unit	Effective	Control Mode		
		- 1073741824 ~ 1073741824	0	-	Immediate	P		

P17.19	2 nd position(32-bit)	Range	Default	Unit	Effective	Control Mode		
		- 1073741824 ~ 1073741824	0	-	Immediate	P		

P17.21	3 rd position(32-bit)	Range	Default	Unit	Effective	Control Mode		
		- 1073741824 ~ 1073741824	0	-	Immediate	P		

P17.23	4 th position(32-bit)	Range	Default	Unit	Effective	Control Mode		
		-	0	-	Immediate	P		

		1073741824						
		~						
		1073741824						

P17.25	Effective time 1	Range	Default	Unit	Effective	Control Mode		
		0 ~ 65535	0	1ms	Immediate	P		

The time to output effective time is 0 ~ 65535ms after 1st position reached.

P17.26	Effective time 2	Range	Default	Unit	Effective	Control Mode		
		0 ~ 65535	0	1ms	Immediate	P		

The time to output effective time is 0 ~ 65535ms after 1st position reached.

P17.27	Effective time 3	Range	Default	Unit	Effective	Control Mode		
		0 ~ 65535	0	1ms	Immediate	P		

The time to output effective time is 0 ~ 65535ms after 1st position reached.

P17.28	Effective time 4	Range	Default	Unit	Effective	Control Mode		
		0 ~ 65535	0	1ms	Immediate	P		

The time to output effective time is 0 ~ 65535ms after 1st position reached.

P17.29	Display delay	Range	Default	Unit	Effective	Control Mode		
		0 ~ 65535	0	1ms	Immediate	P		

• P18 Group Motor Parameters

P18.00	Motor model code	Range	Default	Unit	Effective	Control Mode		
		0~65535	20060	-	Restart	P	S	T

Naming rule for motor model code:

- 1) Ten thousand 篠s digit means the series of motor
- 2) Thousand 篠s digit means the inertia: 0-low inertia, 1-medium inertia, 2-high inertia
- 3) Hundred 篠s digit is reserved
- 4) Ten 篠s digit and one 篠s digit means the motor power.

• P20 Group Panel and Communication Interface Parameters

P20.00	Panel JOG	Range	Default	Unit	Effective	Control Mode		
		0~2000	0	-	Restart	P	S	T

0~Rated speed of motor

P20.01	Fault reset	Range	Default	Unit	Effective	Control Mode		
		0 ~ 9	0	-	Restart	P	S	T

0: no reset

1: reset

P20.03	Parameter identification function	Range	Default	Unit	Effective	Control Mode		
		0~5	0	-	Restart	P	S	T

0: No operation;

1: Forward-rotation inertia identification;

2: Reverse-rotation inertia identification

3: Reserved;

4: Reserved;

5: Encoder initial angle identification.

P20.06	System initialization function	Range	Default	Unit	Effective	Control Mode		
		0~9	0	-	Restart	P	S	T

0: No operation;

1: Restore factory defaults;

2: Clear fault records;

7: Absolute encoder reset

Other values are reserved.

P20.08	Communication operation instruction input	Range	Default	Unit	Effective	Control Mode		
		0~65535	0	-	Immediate	P	S	T

0: No operation or stop operation;

1~3000: JOG speed, unit is rpm;

1102H: Communication forward JOG;

1103H: Communication reverse JOG;

1300H: Forward-rotation inertia identification;

1301H: Reverse-rotation inertia identification;

1302H: Store inertia identification values;

1500H: Encoder initial angle identification.

P20.09	Communication operation status output	Range	Default	Unit	Effective	Control Mode		
		0~65535	0	-	Display only	P	S	T

0: identification in progress;

1: identification fault;

2: identification completed;

3: identification value store.

P20.11	Multi-stage operation selection by communication	Range	Default	Unit	Effective	Control Mode		
		0~16	0	-	Immediate	P	S	

P20.12	Homing start by communication	Range	Default	Unit	Effective	Control Mode		
		0~9	0	-	Immediate	P		

0: No operation;

1: Homing start.

• **P21 Group Status Parameters**

P21.00	Servo status	Range	Default	Unit	Effective	Control Mode		
		0~65535	0	1us	-	P	S	T

P21.01	Motor speed feedback(32-bit)	Range	Default	Unit	Effective	Control Mode		
		-9000~9000	0	1RPM	Display only	P	S	T

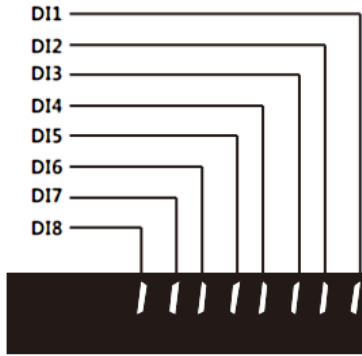
P21.03	Speed instruction	Range	Default	Unit	Effective	Control Mode		
		-9000~9000	0	1RPM	Display only	P	S	T
P21.04	Internal torque instruction (relative to rated torque)	Range	Default	Unit	Effective	Control Mode		
		-5000~5000	0	0.1%	Display only	P	S	T
P21.05	Phase current effective value	Range	Default	Unit	Effective	Control Mode		
		0~65535	0	0.01A	Display only	P	S	T
P21.06	DC bus voltage	Range	Default	Unit	Effective	Control Mode		
		0~65535	0	0.1V	Display only	P	S	T
P21.07	Absolute position counter (32-bit)	Range	Default	Unit	Effective	Control Mode		
		-1073741824~1073741824	0	1unit	Display only	P	S	T
P21.09	Electrical angle	Range	Default	Unit	Effective	Control Mode		
		0~65535	0	0.1°	Display only	P	S	T
P21.10	Mechanical angle (relative to encoder zero point)	Range	Default	Unit	Effective	Control Mode		
		0~65535	0	0.1°	Display only	P	S	T
P21.11	Load inertia identification value	Range	Default	Unit	Effective	Control Mode		
		0~65535	0	0.01kg*cm ²	Display only	P	S	T
P21.12	Speed value relative to input instruction	Range	Default	Unit	Effective	Control Mode		
		-9000~9000	0	1RPM	Display only	P	S	T
P21.13	Position deviation counter (32-bit)	Range	Default	Unit	Effective	Control Mode		
		-1073741824~1073741824	0	1p	Display only	P	S	T
P21.15	Input pulse counter (32-bit)	Range	Default	Unit	Effective	Control Mode		
		-1073741824~1073741824	0	1Unit	Display only	P	S	T
P21.17	Feedback pulse counter (32-bit)	Range	Default	Unit	Effective	Control Mode		
		-1073741824~1073741824	0	1p	Display only	P	S	T
P21.19	Position instruction deviation counter unit (32-bit)	Range	Default	Unit	Effective	Control Mode		
		-1073741824~1073741824	0	1Unit	Display only	P	S	T
P21.21	Digital input signal monitoring	Range	Default	Unit	Effective	Control Mode		

		0~255	0	-	Display only	P	S	T
--	--	-------	---	---	--------------	---	---	---

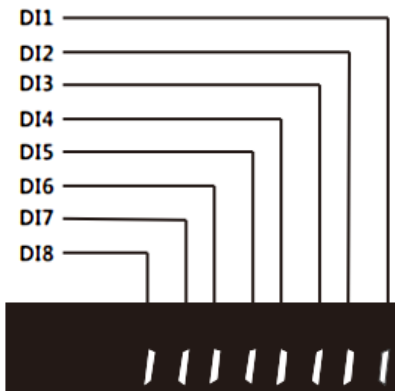
Display the status of DI to DI8 in real-time.

When the ten's digit of P07. 19 from the right side is 0 and DI is high level, the panel displays the upper half; When the DI is low level, the panel displays the lower half. It is DI 1 to DI8 from the right to left.

When the ten's digit of P07. 19 from the right side is 1, represented by binary 1 at high level; represented by binary 0 at low level. DI 1 to DI8 use binary BIT0 to BIT7 respectively.



DI terminal output high level display



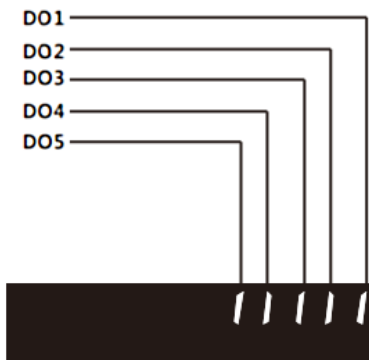
DI terminal output low level display

P21.23	Digital output signal monitoring	Range	Default	Unit	Effective	Control Mode		
		0~31	0	-	Display only	P	S	T

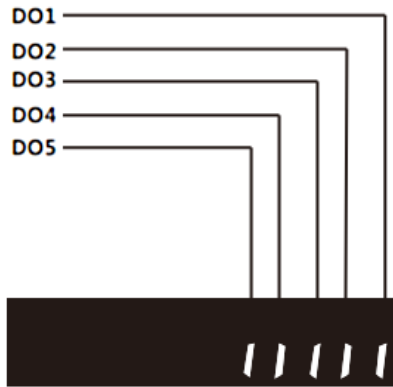
Display the status of DO1 to DO5 in real-time.

When the ten's digit of P07. 19 from the right side is 0 and DO is high level, the panel displays the upper half; When the DO is low level, the panel displays the lower half. It is DO 1 to DO5 from the right to left.

When the ten's digit of P07. 19 from the right side is 1, represented by binary 1 at high level; represented by binary 0 at low level. DO 1 to DO5 use binary BIT0 to BIT4 respectively.



DO terminal output high level display



DO terminal output low level display

P21.24	Encoder status	Range	Default	Unit	Effective	Control Mode		
		0 ~65535	0	-	Display only	P	S	T

P21.25	Total power-on time(32-bit)	Range	Default	Unit	Effective	Control Mode		
		0~2147483647	0	0.1s	Display only	P	S	T

P21.27	AI1 voltage correction value	Range	Default	Unit	Effective	Control Mode		
		-32768 ~ 32767	0	1mV	Display only	P	S	T

Not applicable for X2 series.

P21.28	AI2 voltage correction value	Range	Default	Unit	Effective	Control Mode		
		-32768 ~ 32767	0	1mV	Display only	P	S	T

P21.29	AI1 initial voltage	Range	Default	Unit	Effective	Control Mode		
		-32768 ~ 32767	0	1mV	Display only	P	S	T

Not applicable for X2 series.

P21.30	AI2 initial voltage	Range	Default	Unit	Effective	Control Mode		
		-32768 ~ 32767	0	1mV	Display only	P	S	T

P21.31	Module temperature	Range	Default	Unit	Effective	Control Mode		
		0~65535	0	1°C	Display only	P	S	T

P21.32	Number of turns of absolute encoder (32-bit)	Range	Default	Unit	Effective	Control Mode		
		-1073741824~1073741824	0	-	Display only	P	S	T

P21.34	Single turn position of absolute encoder (32-bit)	Range	Default	Unit	Effective	Control Mode		
		-1073741824~1073741824	0	1Unit	Display only	P	S	T

P21.36	Version code 1	Range	Default	Unit	Effective	Control Mode		
		0~65535	0	0.01	Display only	P	S	T

P21.37	Version code 2	Range	Default	Unit	Effective	Control Mode		
		0~65535	0	0.01	Display only	P	S	T

P21.38	Version code 3	Range	Default	Unit	Effective	Control Mode		
		0~65535	0	0.01	Display only	P	S	T

P21.39	Product series code	Range	Default	Unit	Effective	Control Mode		
		0~65535	0	-	Display only	P	S	T

P21.40	Fault record display	Range	Default	Unit	Effective	Control Mode		
		0 ~ 9	0	-	Immediate	P	S	T

0: Last fault

1: Second-from-last fault

2: Third-from-last fault

...

9: Tenth-from-last fault

P21.41	Fault code	Range	Default	Unit	Effective	Control Mode		
		0 ~ 65535	0	-	Display only	P	S	T

P21.42	Time stamp upon selected fault (32-bit)	Range	Default	Unit	Effective	Control Mode		
		0~2147483647	0	0.1s	Display only	P	S	T

Total power-on time upon fault.

P21.44	Motor speed upon selected fault	Range	Default	Unit	Effective	Control Mode		
		-9000~9000	0	1RPM	Display only	P	S	T

P21.45	U-phase current upon selected fault	Range	Default	Unit	Effective	Control Mode		
		0~65535	0	0.01A	Display only	P	S	T

P21.47	DC bus voltage upon selected fault	Range	Default	Unit	Effective	Control Mode		
		0~65535	0	0.1V	Display only	P	S	T

P21.48	Input terminal status upon selected fault	Range	Default	Unit	Effective	Control Mode		
		0~511	0	-	Display only	P	S	T

P21.49	Output terminal status upon selected fault	Range	Default	Unit	Effective	Control Mode		
		0~511	0	-	Display only	P	S	T

P21.50	Customized software version No.	Range	Default	Unit	Effective	Control Mode		
		0~65535	0	0.01	Display only	P	S	T

P21.51	Accumulative load ratio	Range	Default	Unit	Effective	Control Mode		
		0~500	0	1%	Display only	P	S	T

P21.52	Regenerative load ratio	Range	Default	Unit	Effective	Control Mode		
		0~500	0	1%	Display only	P	S	T

P21.53	Internal warning code	Range	Default	Unit	Effective	Control Mode		
		0~65535	0	-	Display only	P	S	T

P21.54	Internal instruction present stage code	Range	Default	Unit	Effective	Control Mode		
		0~99	0	-	Display only	P	S	T

P21.55	Customized product serial code	Range	Default	Unit	Effective	Control Mode		
		0~65535	0	-	Display only	P	S	T

P21.56	High 32 place value of absolute position counter	Range	Default	Unit	Effective	Control Mode		
		-						
		1073741824~1073741824	0	-	Display only	P	S	T

This is applicable when absolute position is 64-bit (32bit+32bit)

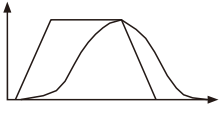
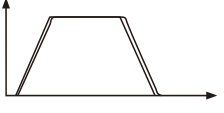
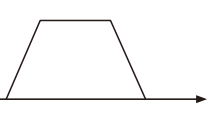
P21.58	High 32 place value of feedback pulse counter (32-bit)	Range	Default	Unit	Effective	Control Mode		
		-						
		1073741824~1073741824	0	-	Display only	P	S	T

This is applicable when feedback pulse is 64-bit (32bit+32bit)

8. Gain tuning

8.1 Gain tuning introductions

A good servo system is steady, fast and accurate. It can execute position, speed and torque instructions without delay. It is therefore necessary to adjust gains of the servo drives. See example below:

			
Gains setting grade	Low	High	High, with feedforward
Position loop gain (1/s)	20.0	100.0	100.0
Speed loop gain (Hz)	50	50	50
Speed loop integral time	50	50	50
Speed feedforward	0	0	50.0
Load ratio	1.00	1.00	1.00

After confirming the compatibility of servo drive and servo motor, user can follow procedures below for gain tuning:

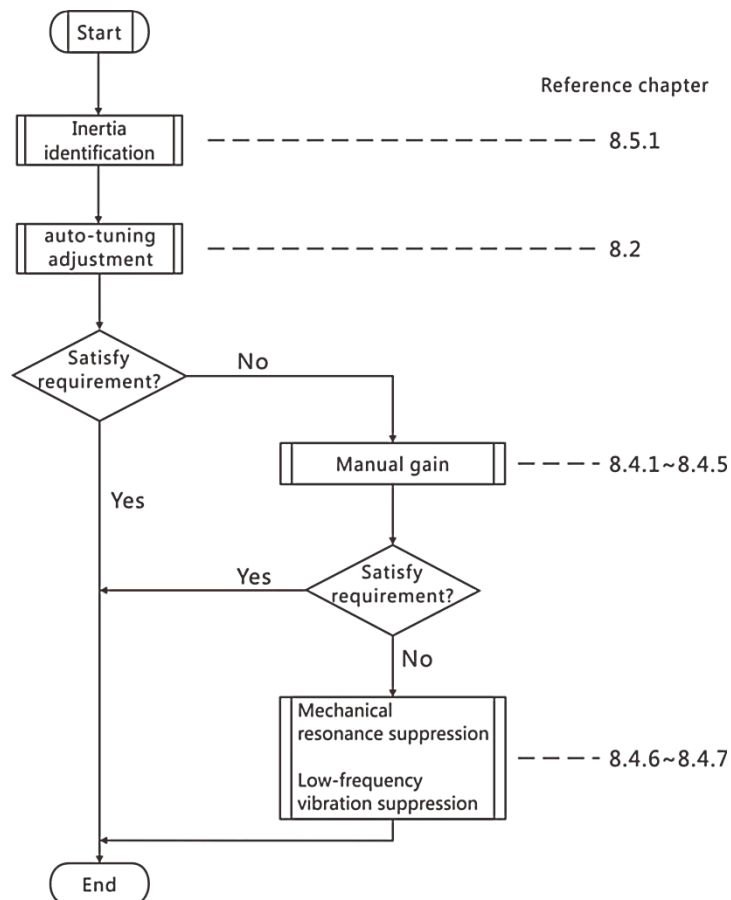


Figure 8.2 Gain tuning procedures

8.2 Automatic gain tuning (auto-tuning)

8.2.1 Function descriptions

Automatic gain tuning (auto-tuning) means servo drive can generate a group of gain parameters matching the load through P0.03 (stiffness grade setting). Before initialing auto-tuning, user should first conduct load inertia identification (auto or manual). There are mainly two type of auto-tuning. Standard auto-tuning (P0.02=1) is suitable for speed and torque control. Positioning mode with gain switchover (P0.02=2) is suitable for position control.

Depending on load, below are some recommended values of P0.03:

5~8: machines with sophisticated transmissions;

9~14: systems with belts or cantilever beams;

15~20: systems with ball screws, pinions and racks or direct driving.

The procedures for auto-tuning is illustrated below:

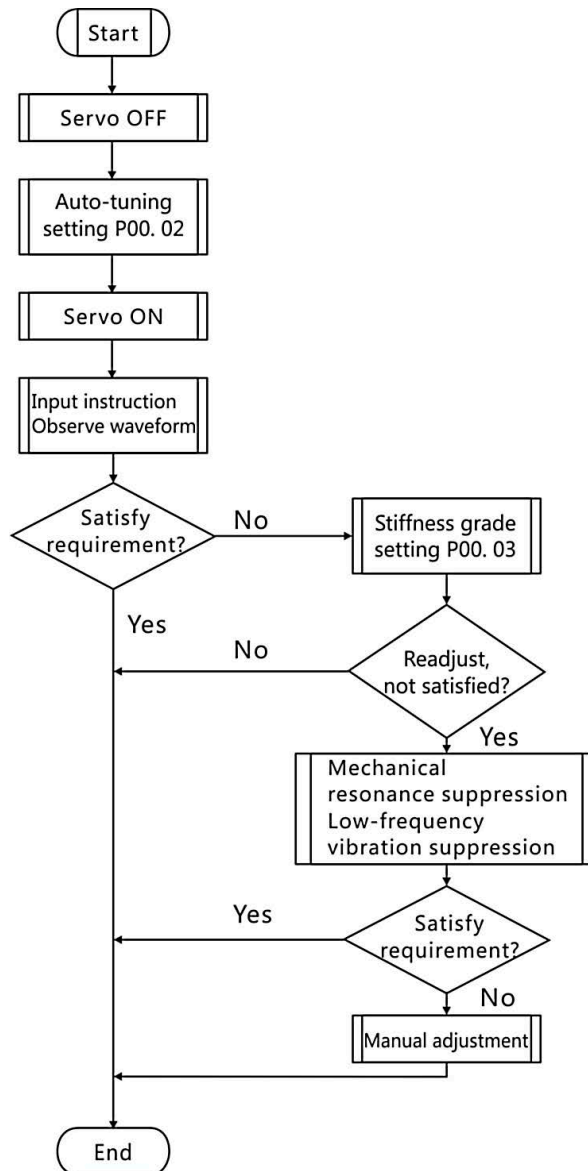


Figure 8.3 Auto-tuning procedures

Relevant parameters:

P00	02	Real time auto-tuning	0: Invalid; 1: Standard auto-tuning 2: Positioning mode	1	0	Immediate	Set at stop	PST
P00	03	Stiffness grade setting	0~31	1	12	Immediate	Set at operation	PST
P00	04	Load inertia ratio	0~60.00	0.01	1.00	Immediate	Set at operation	PST

These parameters are updated automatically based on stiffness grade settings:

Parameter	Description	Setting range	Unit	Update
P01 00	Position loop gain 1	1.0 1/s~2000.0 1/s	0.1 1/s	Automatic
P01 01	Speed loop gain 1	1.0Hz~2000.0Hz	0.1Hz	Automatic
P01 02	Speed loop integral time 1	0.15ms~512.00ms	0.01ms	Automatic
P01 04	Torque instruction filter 1	0.00ms~100.00ms	0.01ms	Automatic
P01 05	Position loop gain 2	1.0 1/s~2000.0 1/s	0.1 1/s	Automatic
P01 06	Speed loop gain 2	1.0Hz~2000.0Hz	0.1Hz	Automatic
P01 07	Speed loop integral time 2	0.15ms~512.00ms	0.01ms	Automatic
P01 09	Torque instruction filter 2	0.00ms~100.00ms	0.01ms	Automatic

These parameters are set to be fixed values:

Parameter	Description	Setting range	Unit	Reference value
P01 03	Speed detection filter 1	0~15	1	0.00ms
P01 08	Speed detection filter 2	0.00ms~100.00ms	0.01ms	0.00ms
P01 12	Speed feedforward gain	0.0%~100.0%	0.1%	30.0%
P01 13	Speed feedforward filtering time	0.00ms~64.00ms	0.01ms	0.50ms
P01 15	Torque feedforward gain	0.0%~100.0%	0.1%	0.0%
P01 16	Torque feedforward filtering time	0.00ms~64.00ms	0.01ms	0.00ms

These parameters are updated on conditions:

Parameter	Description	Description	Unit	Reference value
P01 18	Position control switchover mode	0: Gain 1 fixed 1: Gain 2 fixed 2: Via DI input (GAIN-SWITCH) 3: Torque instruction is large 4: Speed instruction changes sharply 5: Speed instruction is large 6: Position deviation is large (P) 7: With position instruction (P) 8: Positioning not completion (P)	1	10

			9: Actual speed is large (P) 10: With position instruction + actual speed (P)		
P01	19	Position control gain switchover delay	0~1000.0ms	0.1ms	5.0ms
P01	20	Position control gain switchover grade	0~20000	1	50
P01	21	Position control gain switchover hysteresis	0~20000	1	33
P01	22	Position control gain switchover time	0~1000.0ms	0.1ms	3.3ms

8.3 Adaptive filtering

Adaptive filtering means during operation, the servo drive can analyze the resonance frequency based on motor feedback and adjust notch filter parameters accordingly to reduce vibrations. This function is only applicable to position control and speed control, and the motor is in normal operation state (without speed limit, torque limit, over-travel or position deviation clearance).

In addition, adaptive filtering could be invalid if:

- Resonance frequency is lower than 3 times speed response frequency;
- Resonance peak value is low, or gain is low which makes resonance effects are negligible to control performance;
- There are more than 3 resonance points;
- Motor speed changes rapidly due to non-linear mechanical factors;
- Rapid accelerations over 30000rpm/s.

Procedures of adaptive filtering:

- Set P02.02 to 1, 2 or 3 and run the servo;
- The servo drive will detect resonance points which can be display in parameters P02.31 to P02.36;
- Set P02.02=1 and 3rd notch filter will work. Check is vibrations are suppressed and if so, set P02.02=0;
- If vibrations still occur, set P02.02=2 and both 3rd & 4th notch filters will work. Check is vibrations are suppressed and if so, set P02.02=0;
- If there are still some vibrations, adjust parameters of 1st & 2nd notch filters manually.

Relevant parameters:

Parameter	Description	Range	Smallest unit	Factory setting
P02 02	Adaptive filter mode	0: Adaptive invalid, 3 rd & 4 th filters are functioning but parameters are not updated; 1: Only 3 rd filter is functioning with updated parameters; 2: 3 rd & 4 th filters are functioning with updated parameters; 3: Resonance frequency testing, but parameters are not updated; 4: Clear adaptive records, 3 rd & 4 th filters are not functioning.	1	0

P02	31	Resonance point 1 frequency	50~5000Hz	1Hz	Display parameter
P02	32	Resonance point 1 bandwidth	0~20	1	Display parameter
P02	33	Resonance point 1 depth	0~1000	1	Display parameter
P02	34	Resonance point 2 frequency	50~5000Hz	1Hz	Display parameter
P02	35	Resonance point 2 bandwidth	0~20	1	Display parameter
P02	36	Resonance point 2 depth	0~1000	1	Display parameter

These parameters are updated automatically:

P02	10	Third notch filter frequency	50~5000Hz	1Hz	5000Hz
P02	11	Third notch filter width	0~20	1	2
P02	12	Third notch filter depth	0~99	1	0
P02	13	Fourth notch filter frequency	50~5000Hz	1Hz	5000Hz
P02	14	Fourth notch filter width	0~12	1	2
P02	15	Fourth notch filter depth	0~99	1	0

8.4 Manual gain tuning

8.4.1 Introduction

X2E series servo auto-tuning is sufficiently functioning for most applications however for some sophisticated loads, auto-tuning may not yield the best performance and user needs to adjust gain parameters manually. When doing manual tuning, user can use Servostudio software to monitor response curves which can be the guidance for adjusting parameters.

8.4.2 Position control tuning

Procedures:

1. Set P00.04 (load inertia ratio) automatically (by load inertia identification) or manually.
2. Initialize parameters below to factory defaults:

P01	00	Position loop gain 1	40.0 /s	P02	04	First notch filter frequency (manual)	5000
P01	01	Speed loop gain 1	20.0HZ	P02	07	Second notch filter frequency (manual)	5000
P01	02	Speed loop integral time 1	30.00ms	P02	10	Third notch filter frequency	5000
P01	03	Speed detection filter 1	0.00ms	P02	13	Fourth notch filter frequency	5000
P01	04	Torque instruction filter 1	1.00ms	P02	20	First vibration attenuation frequency	0
P01	05	Position loop gain 2	40.0 1/s	P02	22	Second vibration attenuation frequency	0

P01	06	Speed loop gain 2	20.0HZ	P01	18	Position control gain switchover mode	0
P01	07	Speed loop integral time 2	30.00ms	P01	23	Position control gain switchover time	0
P01	08	Speed detection filter 2	0.00ms	P01	27	Torque control gain switchover mode	0
P01	09	Torque instruction filter 2	1.00ms	P01	12	Speed feedforward gain	30%
P01	10	Speed regulator PDFF coefficient	100.0%	P01	13	Speed feedforward filtering time	5.00ms
P02	00	Position instruction smoothing filter	0				
P02	01	Position instruction FIR filter	0				
P00	02	Real time auto-tuning	1				
P02	02	Adaptive filtering mode	0				

3. Target value of gain parameters:

Parameter	Descriptions	Target	Remarks
P01 00	Position loop gain 1	40.0 1/s	If positioning time is too long, increase P01.00. Otherwise reduce it.
P01 01	Speed loop gain 1	20Hz	If there are no noises, vibrations or overshoots, increase P01.01. Otherwise reduce it.
P01 02	Speed loop integral time 1	30.00ms	If user reduces this value, positioning time will be shortened but may cause vibrations. If this value is too large, position deviation may not be able to converge to 0.
P01 04	Torque instruction filter 1	1.00ms	Increase this parameter if there are vibrations. This parameter is positively related to P01.02.
P01 12	Speed feedforward gain	30%	To use feedforward, fist set P01.11=1. If there are no noises or vibrations, increase P01.12. This can reduce real-time position deviations. If input instructions are inhomogeneous, increase the value of P01.13.

8.4.3 Speed control tuning

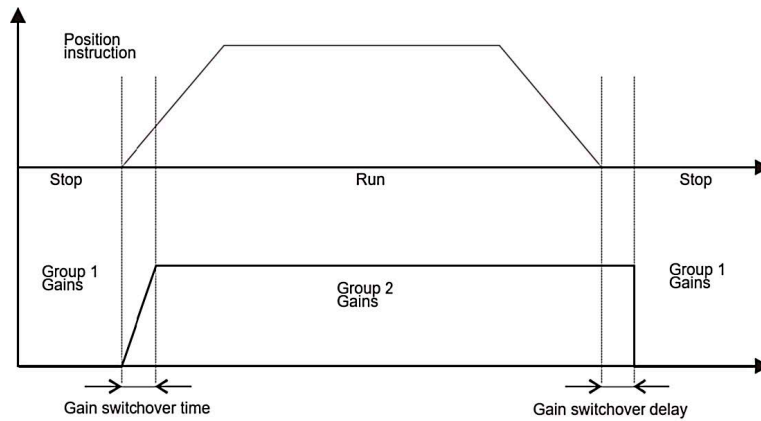
Speed control tuning is similar to position control tuning except for P01.00, P01.05, P01.12 and P01.13, which are for position control only.

8.4.4 Gain switchover function

Gain switchover function has effects below:

- Suppress vibrations at stop and enhance servo dynamic response following performances;
- Shorten positioning time;
- Switchover by external signals.

Figure 8.4 Gain switching example



Procedures

1. Adjust Group 1 gains manually without gain switching function;
2. Copy Group 1 parameter settings to Group 2;
3. Set gain switchover conditions. For example set P01.18=7 for position control; also adjust P01.19~P01.22 if necessary (can use defaults);
4. When instruction stops, reduce P01.01 (Speed loop gain 1) and slightly increase P01.04 (Torque instruction filter 1) so as to reduce noises and vibrations at stop.

Gain switchover (from Group 1 to Group 2) conditions

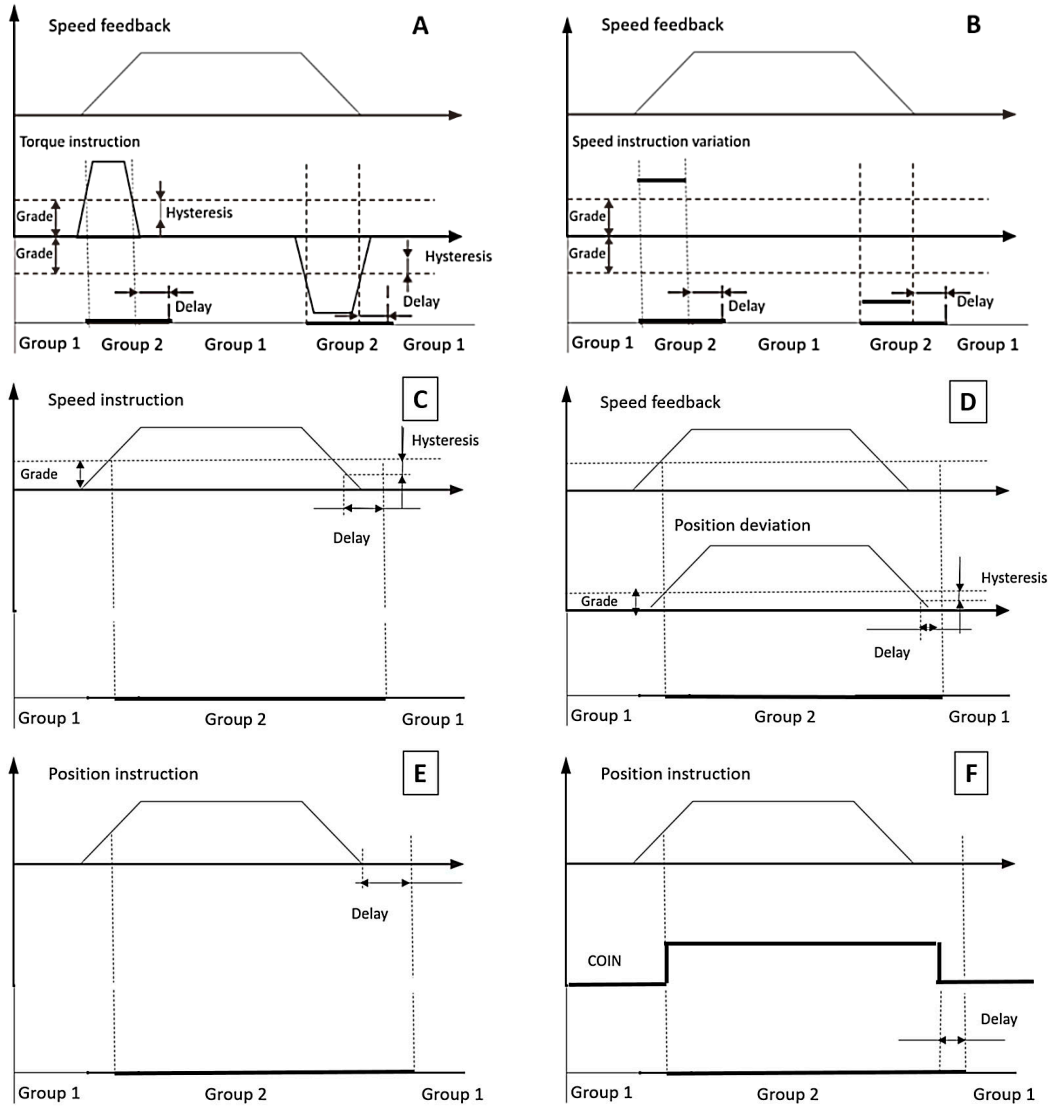
	Switchover conditions P01.18, P01.23, P01.27	Mode	Chart No.	Switchover delay P01.19, P01.24, P01.28	Switchover grade P01.20, P01.25, P01.29	Switchover hysteresis P01.21, P01.26, P01.30
0	Group 1 gains (fixed)	PST		Not applicable	Not applicable	Not applicable
1	Group 2 gains (fixed)	PST		Not applicable	Not applicable	Not applicable
2	Use GAIN_SEL signal	PST		Not applicable	Not applicable	Not applicable
3	Torque instruction	PST	A	Applicable	Applicable (%)	Applicable (%)
4	Speed instruction variation	S	B	Applicable	Applicable (10rpm/s)	Not applicable
5	Speed instruction	PS	C	Applicable	Applicable (1rpm/s)	Applicable (1rpm/s)
6	Position deviation	P	D	Applicable	Applicable (1 unit)	Applicable (1 unit)
7	Position instruction	P	E	Applicable	Not applicable	Not applicable
8	Positioning completion	P	F	Applicable	Not applicable	Not applicable
9	Speed feedback	P	C	Applicable	Applicable (1rpm/s)	Applicable (1rpm/s)

10	Position completion & speed feedback	P	G	Applicable	Applicable (1rpm/s)	Applicable (1rpm/s)
----	--------------------------------------	---	---	------------	------------------------	------------------------

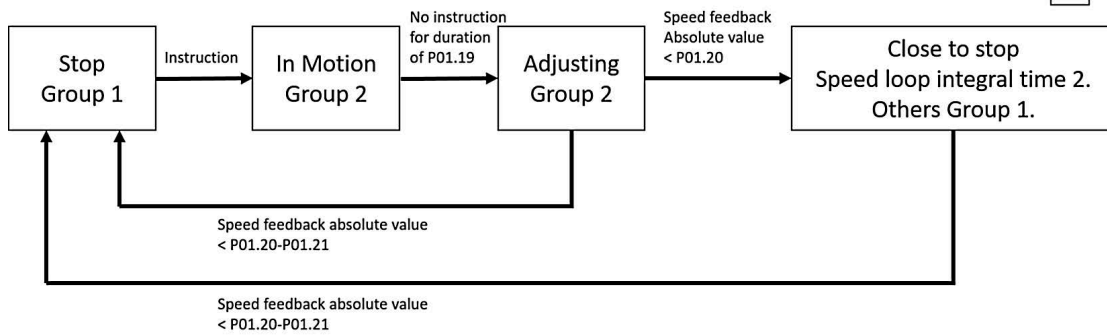
Notes:

- Please refer to Figure 8.5 Gain Switchover Sequence Charts for chart No.;
- When using GAIN_SEL please refer to P01.17 settings (P/PI or Group 1/Group switchover);
- Delay time is only effective for switching from Group 2 back to Group 1;
- If P01.18=10, relevant parameter definitions are different from other modes.

Figure 8.5 Gain Switchover Sequence Charts



G



8.4.5 Feedforward function

In position control, actual speed control instruction is the composite of speed instruction regulated by feedback and speed feedforward which is calculated from position instructions. Compared with a system which only utilized feedback control, feedforward system can reduce real-time position deviations and enhance system responsive characteristics. The larger speed feedforward is, the smaller position deviation is. Theoretically, when speed feedforward is 100%, position deviation can be 0. See formula below:

$$\text{Position Deviation} = (\text{Position Instruction Speed} / \text{Position Loop Gains}) * (100\% - \text{Speed Feedforward Gain})$$

Similarly in speed control, actual torque control instruction is the composite of torque instruction regulated by feedback and torque feedforward which is calculated from speed instructions. Compared with a system which only utilized feedback control, feedforward system can reduce real-time speed deviations and enhance system responsive characteristics. In position control, torque feedforward can reduce position deviations during constant acceleration period, however P00.04 must be set correctly.

If feedforward gain is too large, system may suffer from overshoot, vibrations or noises. To adjust feedforward under such circumstances, user can reduce feedforward gain or increase feedforward filtering time.

Relevant parameters:

Parameter	Description	Range	Smallest unit	Factory setting
P01 11	Speed feedforward control selection	0: no speed feedforward 1: internal speed feedforward	1	0
P01 12	Speed feedforward gain	0.0%~100.0%	0.1%	30.0%
P01 13	Speed feedforward filtering time	0.00ms~64.00ms	0.01ms	0.50ms
P01 14	Torque feedforward control selection	0: no torque feedforward 1: internal torque feedforward 2: use TFFD as torque feedforward input	1	0
P01 15	Torque feedforward gain	0.0%~100.0%	0.1%	0.0%

P01	16	Torque feedforward filtering time	0.00ms~64.00ms	0.01ms	0.00ms
-----	----	-----------------------------------	----------------	--------	--------

Torque feedforward source can be external analog input from upper controllers. To do this, set P01.14=2 and set relevant parameters in analog input.

8.4.6 Mechanical resonance suppression

Mechanical systems has certain resonance frequencies. When servo gain increases, resonances might be caused around system resonance frequencies and prevent servo gains from further increasing. There are two ways to counter resonances:

1. Torque instruction filters (P01.04, P01.09)

Torque instruction filter is a low-pass digital filter which can reduce resonances by attenuating torque instruction frequencies around or above cut-off frequencies through settings of filtering time.

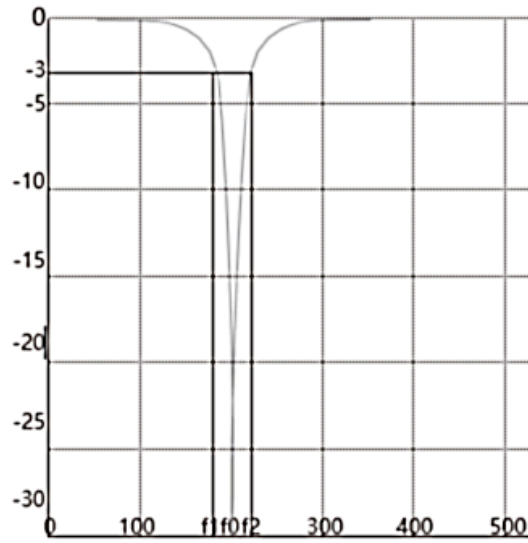
Filter cut-off frequency = $1000 / (2\pi * \text{Torque instruction filter})$

2. Notch filters

Notch filter is a band-stop digital filter. HCFA X2E servo drive has 4 groups of notch filters including both manual and adaptive filters. For adaptive filtering, refer to 8.3.

Parameter	Description	Range	Smallest unit	Factory setting
P02 04	1 st notch filter frequency(manual)	50~5000Hz	1Hz	5000Hz
P02 05	1 st notch filter width	0~20	1	2
P02 06	1 st notch filter depth	0~99	1	0
P02 07	2 nd notch filter frequency(manual)	50~5000Hz	1Hz	5000Hz
P02 08	2 nd notch filter width	0~20	1	2
P02 09	2 nd notch filter depth	0~99	1	0
P02 10	3 rd notch filter frequency	50~5000Hz	1Hz	5000Hz
P02 11	3 rd notch filter width	0~20	1	2
P02 12	3 rd notch filter depth	0~99	1	0
P02 13	4 th notch filter frequency	50~5000Hz	1Hz	5000Hz
P02 14	4 th notch filter width	0~20	1	2
P02 15	4 th notch filter depth	0~99	1	0

Figure 8.6 Notch filter characteristics



Notch filter frequency is f_0 . Notch filter width $K_w = (f_2 - f_1) / f_0$.

Figure 8.7 Notch filter depth is 1 or 0

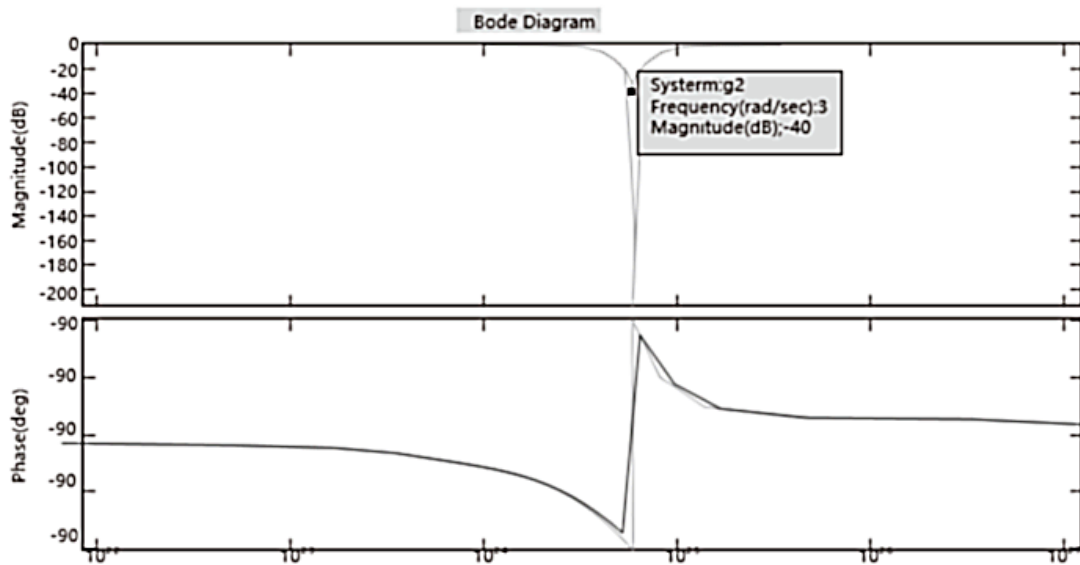
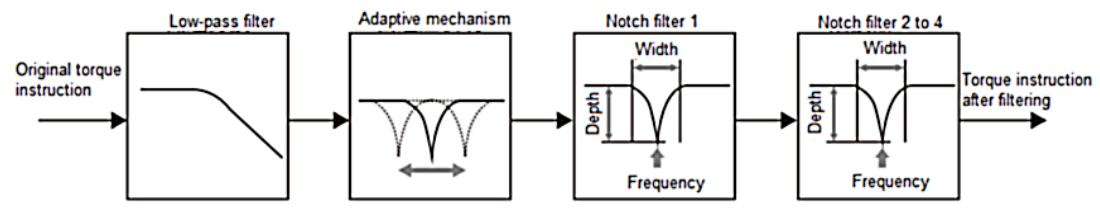
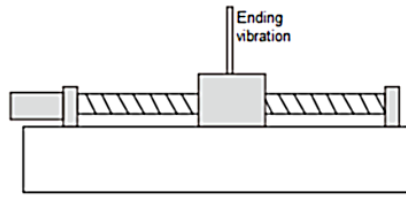


Figure 8.8 Notch filter in servo control

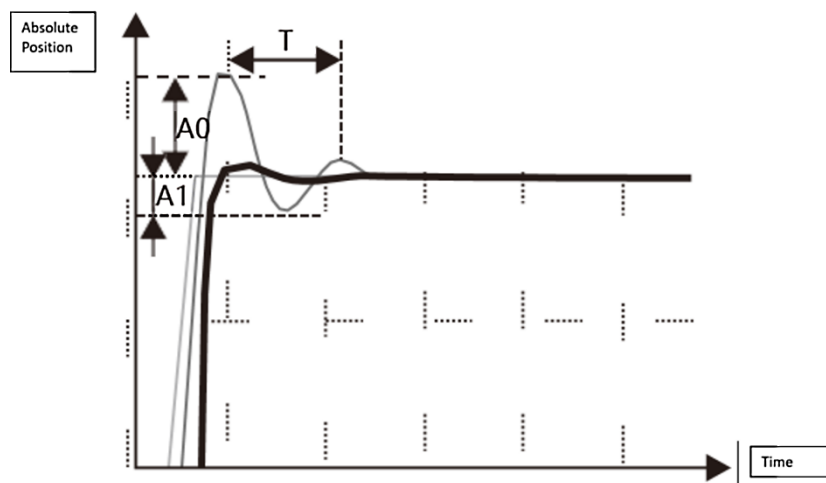


8.4.7 Low frequency vibration suppression



When the load is stopping during positioning, if its ending is too long, the ending might vibrate at low frequency and causes periodic vibrations in positioning. In such situations, please observe waveforms triggered by position instructions through Servostudio software and calculate low frequency vibration frequency and attenuation coefficient ($A1 / A0$) and set parameters in P02.20 & P02.21. Then observe the waveform again and if low frequency vibration still occurs, set parameters in P02.22 & P02.23. Refer to figure below:

Figure 8.8 Low frequency vibration waveform



Related parameters:

Parameter	Description	Range	Smallest unit	Factory setting
P02 20	1 st damping frequency	10.0HZ~100.0HZ	0.1Hz	0.0Hz
P02 21	1 st damping filter setting	0~1.0	0.1	0
P02 22	2 nd damping frequency	10.0HZ~100.0HZ	0.1Hz	0.0Hz
P02 23	2 nd damping filter setting	0~1.0	0.1	0

9. Fault protections and alarms

9.1 List of errors and alarms

Code	Description	Stop mode	Reset (Y/N)	Record memory
Err.001	System parameter abnormal	Stop immediately	N	No memory
Err.002	Product model selection fault	Stop immediately	N	No memory
Err.003	Fault during parameter storage	Stop immediately	N	No memory
Err.004	FPGA fault	Stop immediately	N	No memory
Err.005	Product matching fault	Stop immediately	N	No memory
Err.006	Program abnormal	Stop immediately	N	No memory
Err.007	Encoder initialization abnormal	Stop immediately	N	Memory
Err.008	Short circuit to ground detection fault	Stop immediately	N	Memory
Err.009	Overcurrent fault 1	Stop immediately	N	Memory
Err.010	Overcurrent fault 2	Stop immediately	Y	Memory
Err.012	Incremental encoder Z breakage or absolute encoder number of turns abnormal	Stop immediately	Y	Memory
Err.013	Encoder communication abnormal	Stop immediately	Y	Memory
Err.014	Encoder data abnormal	Stop immediately	Y	Memory
Err.015	Encoder battery undervoltage	Stop immediately	N	Memory
Err.016	Speed deviation too large	Configurable	Y	Memory
Err.017	Torque saturation overtime	Configurable	Y	Memory
Err.019	Tripping error	Configurable	Y	Memory
Err.020	Overvoltage	Stop immediately	Y	Memory
Err.021	Undervoltage	Decelerate to stop	Y	Configurable
Err.022	Current sampling fault	Stop immediately	Y	Memory
Err.024	Overspeed	Stop immediately	Y	Memory
Err.025	Electrical angle identification failure	Stop immediately	Y	No memory
Err.026	Load identification failure	Stop immediately	Y	No memory
Err.027	DI parameter setting fault	Stop immediately	Y	No memory
Err.028	DO parameter setting fault	Stop immediately	Y	No memory
Err.040	S-ON instruction invalid fault	Configurable	Y	No memory
Err.042	Pulse division output overspeed	Configurable	Y	Memory

Err.043	Position deviation too large	Configurable	Y	Memory
Err.045	Drive output phase loss	Configurable	Y	Memory
Err.046	Drive overload	Configurable	Y	Memory
Err.047	Motor overload	Configurable	Y	Memory
Err.048	Electronic gear setting fault	Configurable	Y	No memory
Err.049	Heat sink too hot	Configurable	Y	Memory
Err.050	Pulse input abnormal	Configurable	Y	Memory
Err.054	User forced fault	Configurable	Y	Memory
Err.055	Absolute position resetting fault	Configurable	Y	Memory
Err.056	Main circuit outage	Decelerate to stop	Y	Memory
Err.060	First start after writing customized software	Stop immediately	N	Configurable
Err.065	CAN bus off	Configurable	Y	Memory
Err.066	Abnormal NMT instruction	Configurable	Y	Memory
Err.067	CAN bus failure	Decelerate to stop	Y	Memory
Err. 068	External overspeed(reserved)	Stop immediately	Y	Memory
Err. 069	Hybrid deviation too large	Configurable	Y	Memory
Err. 071	Node protection or heartbeat timeout	Configurable	Y	Memory
Err. 072	Synchronization failure	Configurable	Y	Memory
Err. 073	CANOpen track buffer underflow	Configurable	Y	Memory
Err. 074	CANOpen track buffer overflow	Configurable	Y	Memory
AL.080	Undervoltage warning	No stop	Y	No memory
AL.081	Drive overload warning	No stop	Y	Memory
AL.082	Motor overload warning	No stop	Y	Memory
AL.083	Parameter modification needs power restart	No stop	Y	No memory
AL.084	Servo not ready	No stop	Y	No memory
AL.085	EEPROM frequency writing warning	No stop	Y	No memory
AL.086	Positive over-travel warning	No stop	Y	No memory
AL.087	Negative over-travel warning	No stop	Y	No memory
AL.088	Positive instruction overspeed	No stop	Y	No memory
AL.090	Absolute encoder angle initialization warning	No stop	Y	Memory
AL.093	Regenerative overload	No stop	Y	Memory
AL.094	Regenerative resistor too small	No stop	Y	No memory
AL.095	Emergency stop	Decelerate to stop	Y	No memory
AL.096	Homing error	Decelerate to stop	Y	No memory
AL.097	Encoder battery undervoltage	No stop	Y	No memory

9.2 Troubleshooting

Code	Description	Causes	Troubleshooting measures
Err.001	System parameter abnormal	1. Control circuit power suddenly drops; 2. After updating servo software, some previously saved parameters exceed	1. Make sure input power is within specified range; 2. Set P20.06=1 to initialized system

		settings range.	parameters.
Err.002	Product model selection fault	1. Encoder cable connection broken or loose; 2. Invalid drive or motor model.	1. Check and fasten encoder cable; 2. Replace with valid drive or motor model.
Err.003	Fault during parameter storage	1. Parameter reading/writing too frequent; 2. Parameter storage component fault; 3. Control circuit power unstable; 4. Drive fault.	1. Check if upper controller is reading/writing E2PROM too frequent; 2. Check control circuit power cable and ensure control circuit power voltage is within specified range.
Err.004	FPGA fault	Software version fault.	Check if software version is correct.
Err.005	Product matching fault	1. Encoder cable connection broken or loose; 2. Use third-party encoder which is not supported; 3. Motor capacity and drive capacity don't match. Motor capacity class is larger than or two levels off the drive; 4. Product model code doesn't exist.	1. Check and fasten encoder cable; 2. Replace products that don't match; 3. Choose correct encoder type or replace the drive.
Err.006	Software abnormal	1. System parameter abnormal; 2. Drive internal fault.	Set P20.06=1 to initialized system parameters and restart power.
Err.007	Encoder initialization abnormal	Encoder signal abnormal at power on.	Check or replace encoder cable.
Err.008	Short circuit to ground detection fault	1. UVW wiring fault; 2. Motor breakdown; 3. Drive fault.	1. Check if UVW is short circuited to ground. If so replace cable; 2. Check if motor cable or grounding resistance is abnormal. If so replace the motor.
Err.009	Overcurrent fault 1	1. Instruction input is too fast; 2. Regenerative resistor too small or short circuited; 3. Motor cable bad contact; 4. Motor cable grounding; 5. Motor UVW short circuited; 6. Motor burnt; 7. Software detected power transistor overcurrent	1. Check instruction input time sequence and input after S-RDY; 2. Replace regenerative resistor; 3. Check and fasten encoder cable; 4. Replace motor if UVW insulation resistor is broken; 5. Check if UVW is short circuited; 6. Replace motor if UVW don't have equal resistance; 7. Reduce load, use bigger drive and motor, increase acceleration/deceleration time.
Err.010	Overcurrent fault 2	Same as Err.009	Same as Err.009
Err.012	Incremental encoder Z breakage	Incremental encoder: Z-phase signal loss due to cable breakage or encoder	1. Rotate motor shaft manually, if error still occurs, replace cable or encoder;

	or absolute encoder number of turns abnormal	fault; Absolute encoder: battery shortage, encoder cable plugging & unplugging during power off, or after P06.47=1 not initialize the encoder.	2. Replace battery if undervoltage; 3. P20.06=7 and initialize.
Err.013	Encoder communication abnormal	1. Communicational encoder cable breakage; 2. Encoder not grounded; 3. Communication verification abnormal.	1. Check or replace encoder cable; 2. Check if encoder is grounded properly.
Err.014	Encoder data abnormal	1. Serial encoder breakage or bad contact; 2. Serial encoder data reading/writing abnormal	Check or replace encoder cable.
Err.015	Encoder battery undervoltage	Encoder battery voltage is less than P06.48 and ten th s place of P06.47 is 1.	Replace encoder battery.
Err.016	Speed deviation too large	Speed instruction and speed feedback deviation exceeds settings of P06.45.	1. Increase P06.45 value; 2. Increase acceleration/deceleration time or increase system responsiveness; 3. Set P06.45=0 to disable speed deviation too large function.
Err.017	Torque saturation overtime	Torque maintains saturated for time longer than settings of P06.46.	1. Increase P06.46 value; 2. Check if UVW is broken.
Err.019	Tripping error	Motor stall due to incorrect wiring	1. Check UVW and encoder wiring 2. Check drive and motor
Err.020	Overvoltage	1. Input power voltage exceeds 280VAC; 2. Regenerative resistor breakage or not matching; 3. Load inertia exceeds allowable range; 4. Drive broken.	1. Check input power voltage; 2. Check or replace regenerative resistor; 3. Increase acceleration/deceleration time or replace more suitable drive/motor.
Err.021	Undervoltage	1. Input power voltage drops; 2. Instantaneous power off; 3. P06.36 setting is too high; 4. Drive broken	1. Make sure input power is stable; 2. Reduce P06.36 value if input power is normal. (Memory is configurable by P07.19)
Err.022	Current sampling fault	Drive internal current sampling fault.	Replace servo drive.
Err.024	Overspeed	1. Speed instruction exceeds maximum speed setting value; 2. Wrong UVW phase sequence; 3. Speed response over modulation; 4. Drive faulty	1. Lower speed instruction 2. Check if UVW phase sequence is correct; 3. Adjust speed loop gains to reduce over shoot;

			4. Replace drive
Err.025	Electrical angle identification failure	1. Load or inertia too large; 2. Wrong encoder cable wiring	1. Reduce load or increase current loop gains 2. Replace encoder cable.
Err.026	Load identification failure	1. Load or inertia too large. Motor cannot run at specified curves; 2. Verification process aborted by other faults.	1. Reduce load or increase current loop gains 2. Make sure verification process correct.
Err.027	DI parameter setting fault	1. Different DOs are assigned with same function; 2. Physical DI and communicational DI have definition conflicts	Reassign DI functions
Err.028	DO parameter setting fault	Different DOs are assigned with same function	Reassign DO functions
Err.040	S-ON instruction invalid fault	Input S-ON signal after motor is energized by other auxiliary functions	
Err.042	Pulse division output overspeed	Pulse division output is over upper limit.	Adjust pulse division output settings.
Err.043	Position deviation too large	1. Servo motor UVW wiring is wrong; 2. Servo drive gain settings are too low; 3. Position instruction pulse frequency is too high; 4 Position instruction acceleration is too large; 5. P00.19 setting is too low; 6. Servo drive/motor faulty; 7. Brake release abnormal. Motor is locked by external forces, gravity etc.	1. Reconnect the cables 2. Increase servo gains 3. Reduce instruction frequency, acceleration or adjust gear ratio 4. Set up smoothing parameters; 5. Adjust the value of P00.19 6. Replace the drive 7. Check brake power and servo motor is not blocked.
Err.045	Drive output phase loss	1. Motor UVW bad contact; 2. Motor broken	1. Check UVW wiring 2. Replace motor
Err.046	Drive overload	1. Motor UVW or encoder cable bad contact or loose 2. Motor blocked or brake not released 3. Wrong UVW/encoder cable wiring for multiple drives/motors 4. Motor/drive too small for load 5. Phase loss or wrong phase sequence 6. Motor or drive broken	1. Check UVW/encoder cable wiring 2. Check motor is not blocked and brake is released 3. Check there is no wrong UVW/encoder cable wiring for multiple drives/motors 4. Increase acceleration/deceleration time or choose bigger drive/motor 5. Check UVW wiring 6. Replace drive/motor
Err.047	Motor overload	Same as Err.046	Same as Err.046
Err.048	Electronic gear setting fault	Electronic gear ratio exceeds setting range	Set correct electronic gear

Err.049	Heat sink too hot	<ol style="list-style-type: none"> 1. Fan broken 2. Ambient temperature is too high 3. Too many times of restarting power after overload 4. Inappropriate installation directions and spacing 5. Servo drive faulty 6. Motor or drive broken 	<ol style="list-style-type: none"> 1. Check fan. Replace fan or drive 2. Measure ambient temperature and improved cooling conditions for servo drive 3. Check error records and see if there has been overload error. Restart after 30s. Increase acceleration/deceleration time. 5. Install the servo drive according to specifications in this manual. 6. Power off and wait for 5 minutes. If this error persists, replace drive.
Err.050	Pulse input abnormal	<ol style="list-style-type: none"> 1. Input pulse frequency is larger than maximum frequency setting 2. Input pulse is interfered. 	<ol style="list-style-type: none"> 1. Adjust P06.38 2. Check wiring grounding conditions. Use twisted-pair shielded cable. Separate UVW cable from encoder cable.
Err.054	User forced fault	User uses DI of function 32 FORCE_ERR to forcibly enter faulty state.	Disconnect DI of function 32.
Err.055	Absolute position resetting fault	Absolute encoder absolute position resetting faulty.	Contact HCFA.
Err.056	Main circuit outage	Power outage or main circuit abnormal	Check if there is instantaneous power failure. Increase power voltage capacity.
Err.060	First start after writing customized software	First start after download customized software to the standard driver	Initialize the servo drive.
Err.065	CAN bus off	CAN bus disconnection or receive or send abnormal	Check wiring and connect again
Err.066	Abnormal NMT instruction	Receive NMT stop or reset instruction at servo -ON	NMT node reset, do not stop or reset CAN node at servo-ON
Err.067	CAN bus failure	CAN bus disconnection or receive or send abnormal	Check wiring and connect again
Err.068	External overspeed(reserved)	<ol style="list-style-type: none"> 1. Speed instruction exceeds maximum speed setting value; 2. Wrong UVW phase sequence; 3. Speed response over modulation; 4. Drive faulty 	<ol style="list-style-type: none"> 1. Lower speed instruction 2. Check if UVW phase sequence is correct; 3. Adjust speed loop gains to reduce over shoot; 4. Replace drive
Err.069	Hybrid deviation too large	<ol style="list-style-type: none"> 1.External encoder disconnection 2.External encoder damage 3. Drive error 	<ol style="list-style-type: none"> 1. Check or replace external encoder and wiring 2. Check or replace external encoder and wiring

			3. Check mechanical drive and repair
Err.071	Node protection or heartbeat timeout	Do not receive any response when node protection and heartbeat monitoring reaches specified time	Check node and NMT node reset
Err.072	Synchronization failure	Synchronization failure with host controller at CANOpen IP mode	NMT node reset or 6040 send failure reset instruction
Err.073	CANOpen track buffer underflow	Synchronous clock lost more than 2 times at CANOpen IP or CSP mode	Check interference in communication and host controller operate normally. NMT node reset or 6040 send failure reset instruction
Err.074	CANOpen track buffer overflow	Synchronization clock goes too fast or the actual clock frequency is inconsistent with setting value in CANOpen IP or CSP mode	Check interference in communication and host controller operate normally. NMT node reset or 6040 send failure reset instruction
AL.080	Undervoltage warning	DC bus voltage is relatively low.	1. Check main circuit. 2. Adjust P06.36
AL.081	Drive overload warning	Same as Err.046	Same as Err.046
AL.082	Motor overload warning	Same as Err.046	Same as Err.046
AL.083	Parameter modification needs power restart	Modify parameters which needs restarting.	Restart power
AL.084	Servo not ready	S-ON when servo is not ready.	S-ON after detecting S-RDY signal.
AL.085	E2PROM frequency writing warning	Operating E2PROM too frequent.	Reduce E2PROM using frequency. Use communication2 which do not save in E2PROM.
AL.086	Positive over-travel warning	1. P_OT & N_OT valid simultaneously 2. Servo over-travel in some directions. Can be removed automatically.	Trigger positive limit switch, check operation mode, move the servo towards negative direction. After leaving positive limit switch, this alarm will be removed automatically.
AL.087	Negative over-travel warning	Same as AL.086	Trigger negative limit switch, check operation mode, move the servo towards positive direction. After leaving negative limit switch, this alarm will be removed automatically.
AL.088	Positive instruction overspeed	1. Electronic gear ratio too large 2. Pulse frequency too high	1. Reduce electronic gear ratio 2. Reduce pulse frequency
AL.090	Absolute encoder angle initialization warning	Angle is over 7.2 degree.	Replace motor
AL.093	Regenerative	1. Regenerative resistor wrong wiring or	1. Check resistor wiring

	overload	<ul style="list-style-type: none"> bad contact; 2. Internal resistor wiring breakage; 3. Resistor capacity insufficient; 4. Resistor resistance too large and causing long time braking; 5. Input voltage exceeds specifications 6. Resistor resistance, capacity or heating time constant parameters settings are wrong; 7. Drive faulty 	<ul style="list-style-type: none"> 2. Check internal resistor wiring; 3. Increase resistor capacity 4. Reduce resistor resistance; 5. Reduce input voltage 6. Set correct parameters 7. Replace drive
AL.094	Regenerative resistor too small	<ul style="list-style-type: none"> 1. External regenerative resistor is less than minimum value 2. Wrong parameter settings 	<ul style="list-style-type: none"> 1. Replace resistor 2. Check parameters P00.21~P00.24
AL.095	Emergency stop	Emergency stop is triggered.	This is a normal DI function (function 30)
AL.096	Homing error	<ul style="list-style-type: none"> 1. Homing time exceeds P08.95 2. P08.90 is set is 3, 4, or 5 and contacted limit switches 3. Contact limit switches twice when not using limit switches as origin points. 	<ul style="list-style-type: none"> 1. Increase the value of P08.95; 2. Reduce homing speeds P08.92, P08.93
AL.097	Encoder battery undervoltage	Encoder battery voltage is lower than what is set in P06.48.	Replace battery.

10. Communication

HCFA Modbus communication is explained in figure below:

Figure 10.1 HCFA Modbus

Electrical Specification	EIA485
Communication Type	Asynchronous serial(half-duplex)
Communication Speed	2.4~115.2Kbps
Data Bit	8-bit
Verification	0~1bit
Stop Bit	1~2bit
Alarm Detection	CRC16-CCITT
Transfer Data	8-bit binary
Data Length	Below 35 byte

10.1 Communication rules

Parameter addresses are generated by converting decimal to hexadecimal. For example, the address of P08.11 is 080BH.

- Without encryption, all parameters can be read/written;
- Some parameters are not editable during operation and error will occur;
- For 32-bit parameters, both high & low 16-bit must be read/written at the same time;
- User password can be written by 06H or 10H but this is only inputting password and cannot change password. When reading password, only 0 will be returned. User password needs to be modified manually;
- When using communication to write parameters, the results are stored in flash memory and not in E2PROM. To write into E2PROM, user needs to add E000H to parameter addresses. For example, 080BH (P08.11) + E000H=E80BH.

10.2 Communication read/write commands

- Read one or multiple holding registers: 03H. Numbers in below figure are hexadecimal.

Axis address	Modbus command	Register addresses (H)	Register addresses (L)	Register quantity (H)	Register quantity (L)	CRC (L)	CRC (H)
01	03	12	00	00	01	81	72

Response:

Axis address	Modbus command	Data quantity	Data value (H)	Data value (L)	CRC (L)	CRC (H)
01	03	02	00	3C	48	55

- Write single holding register: 0x06

Axis address	Modbus command	Register address (H)	Register address (L)	Data value (H)	Data value (L)	CRC (L)	CRC (H)
--------------	----------------	----------------------	----------------------	----------------	----------------	---------	---------

01	06	08	01	00	02	5B	AB
----	----	----	----	----	----	----	----

Response:

Axis address	Modbus command	Register address (H)	Register address (L)	Data value (H)	Data value (L)	CRC (L)	CRC (H)
01	06	08	01	00	02	5B	AB

3. Write multiple holding registers: 0x10

01	Axis address
10	Modbus command
08	Register address (H)
0B	Register address (L)
00	Register quantity (H)
05	Register quantity (L)
0A	Data bytes
4E	First data value (H)
20	First data value (L)
00	Second data value (H)
00	Second data value (L)
04	Third data value (H)
B0	Third data value (L)
00	Fourth data value (H)
64	Fourth data value (L)
00	Fifth data value (H)
14	Fifth data value (L)
F8	CRC (L)
5B	CRC (H)

Response:

Axis address	Modbus command	Register addresses (H)	Register addresses (L)	Register quantity (H)	Register quantity (L)	CRC (L)	CRC (H)
01	10	08	0B	00	05	73	A8

4. Error frame

Axis address	03H/06H/10H error response	Error code	CRC (L)	CRC (H)
01	83/86/90	xx	CRCL	CRCH

Error codes:

01	Wrong command	19	Parameter exceeding upper/lower limit
03	Invalid parameter	20	Not input password or password expired
04	CRC error	22	Parameter not editable or restricted
16	Parameter group number data overflow	24	Password parameter not to be edited with others
17	Register quantity is 0	25	Wrong password input
18	32-bit data only reading 16-bit (H or L)	26	Wrong password input 5 times in a row

10.3 Communication DI functions

All DI functions can be controlled by communication. The procedures are:

Step 1. Check P04.01 to P04.09 settings. Set them to 0 if they are already assigned with the functions to be controlled by communication;

Step 2. Assign and enable corresponding communication DI function by P09.05 to P09.08.

Step 3. Write commands to corresponding addresses listed below.

Table 10-2 DI terminal configuration parameters for X2E series servo drive

Parameter No.	Description	Parameter value
P04.01	DI1 function selection	The value 1 to 34 listed in table 1-1.
P04.02	DI2 function selection	The value 1 to 34 listed in table 1-1.
P04.03	DI3 function selection	The value 1 to 34 listed in table 1-1.
P04.04	DI4 function selection	The value 1 to 34 listed in table 1-1.
P04.05	DI5 function selection	The value 1 to 34 listed in table 1-1.
P04.06	DI6 function selection	The value 1 to 34 listed in table 1-1.
P04.07	DI7 function selection	The value 1 to 34 listed in table 1-1.
P04.08	DI8 function selection	The value 1 to 34 listed in table 1-1.

Table 10-3 Enabling setting of communication control DI function

Parameter No.	Description	Parameter value
P09.05	Communication control DI enabling setting 1	Each binary bit of this parameter represents a DI function. BI T is reserved. BI T1~BI T15 corresponds to DI 1~15 in table 1-1 respectively. The value of the binary bit indicates whether the corresponding DI function of communication control is enabled: 0: Disable 1: Enable
P09.06	Communication control DI enabling setting 2	BI T0 ~ BI T15 corresponds to DI 16 ~ 31 in table 1-1 respectively.
P09.07	Communication control DI enabling setting 3	BI T0 ~ BI T15 corresponds to DI 32 ~ 47 in table 1-1 respectively.
P09.08	Communication control DI enabling setting 4	BI T0 ~ BI T15 corresponds to DI 48 ~ 63 in table 1-1 respectively.

Table 10-3 Communication DI addresses

Address	Usage	Remarks
3607H	Communication DI function status value 1	Bit0 is reserved. Bit1~Bit15 corresponds to DI functions 1-15. 0: Invalid 1: Valid
3608H	Communication DI function status value 2	Bit0~Bit15 corresponds to DI functions 16-31.
3609H	Communication DI function status value 3	Bit0~Bit15 corresponds to DI functions 32-47(Note 1).

360AH	Communication DI function status value 4	Bit0~Bit15 corresponds to DI functions 48-63(Note 2)
-------	---	--

Caution: Communication address in Table 10-4 is represented by hexadecimal.

Note 1: DI 35~47 are reserved.

Note 2: DI 48~63 are reserved.

Example 1: Use communication to S-ON

Step 1: Set P04.01=0;

Step 2: Set P09.05=2H (10B);

Step 3: Write 2H to address 3607H continuously with intervals less than 5s (set by P09.11). Write 0H to turn off S-ON.

Note: If step 1 is skipped, Err.027 will occur.

Example 2: Use communication to ERR_RST and PERR_CLR

Step 1: Set P04.02=0, P04.04=0;

Step 2: Set P09.05=24H (100100B);

Step 3: Write 4H to address 3607H to ERR_RST. Write 20H to PERR_CLR. These two functions do not need to write continuously.

Note: If step 1 is skipped, Err.027 will occur.

Example 3: Use communication to Internal position instruction enabled.

Step 1: Set P04.05 to 0

Step 2: Set P09.06=200H

Step 3: Write 200H to address 3608H continuously with intervals less than 5s (set by P09.11). Write 0H to make is invalid.

Note: If step 1 is skipped, Err.027 will occur.

10.4 Communication DO functions

Similar to DI, enable the communication output DO function and the corresponding parameter is P09. 09 and P09. 10. The read address is 3688H and 3689H.

P09. 09	Communication DO setting 1	Bit0 is reserved. Bit1~Bit15 corresponds to DO functions 1-15. 0: Invalid 1: Valid
P09. 10	Communication DO setting 2	Bit0~Bit15 corresponds to DO functions 16-31. 0: Invalid 1: Valid

Address	Usage	Remarks
3688H	Communication DO function selection 1	Bit0 is reserved. Bit1~Bit15 corresponds to DO functions 1-15. 0: Invalid 1: Valid
3689H	Communication DO function selection 2	Bit0~Bit15 corresponds to DO functions 16-31.

Example: Use communication to read V_CMP

Step 1: Set P04.26=0;

Step 2: Set P09.09=40H (1000000B);

Step 3: Read Bit6 of 3688H.

10.5 Reading encoder absolute positions

Read number of turns of absolute encoder. The data is signed 32-bit.

Axis address	Modbus command	Register addresses (H)	Register addresses (L)	Register quantity (H)	Register quantity (L)	CRC (L)	CRC (H)
01	03	15	20	00	02	C1	CD

Response:

Axis address	Modbus command	Bytes	Bit 8~15	Bit 0~7	Bit 24~31	Bit 16~23	CRC (L)	CRC (H)
01	03	04	00	03	00	00	0A	33

Read single turn position of absolute encoder. The data is unsigned 32-bit.

Axis address	Modbus command	Register addresses (H)	Register addresses (L)	Register quantity (H)	Register quantity (L)	CRC (L)	CRC (H)
01	03	15	22	00	02	60	0D

Response:

Axis address	Modbus command	Bytes	Bit 8~15	Bit 0~7	Bit 24~31	Bit 16~23	CRC (L)	CRC (H)
01	03	04	36	07	00	01	85	8A

